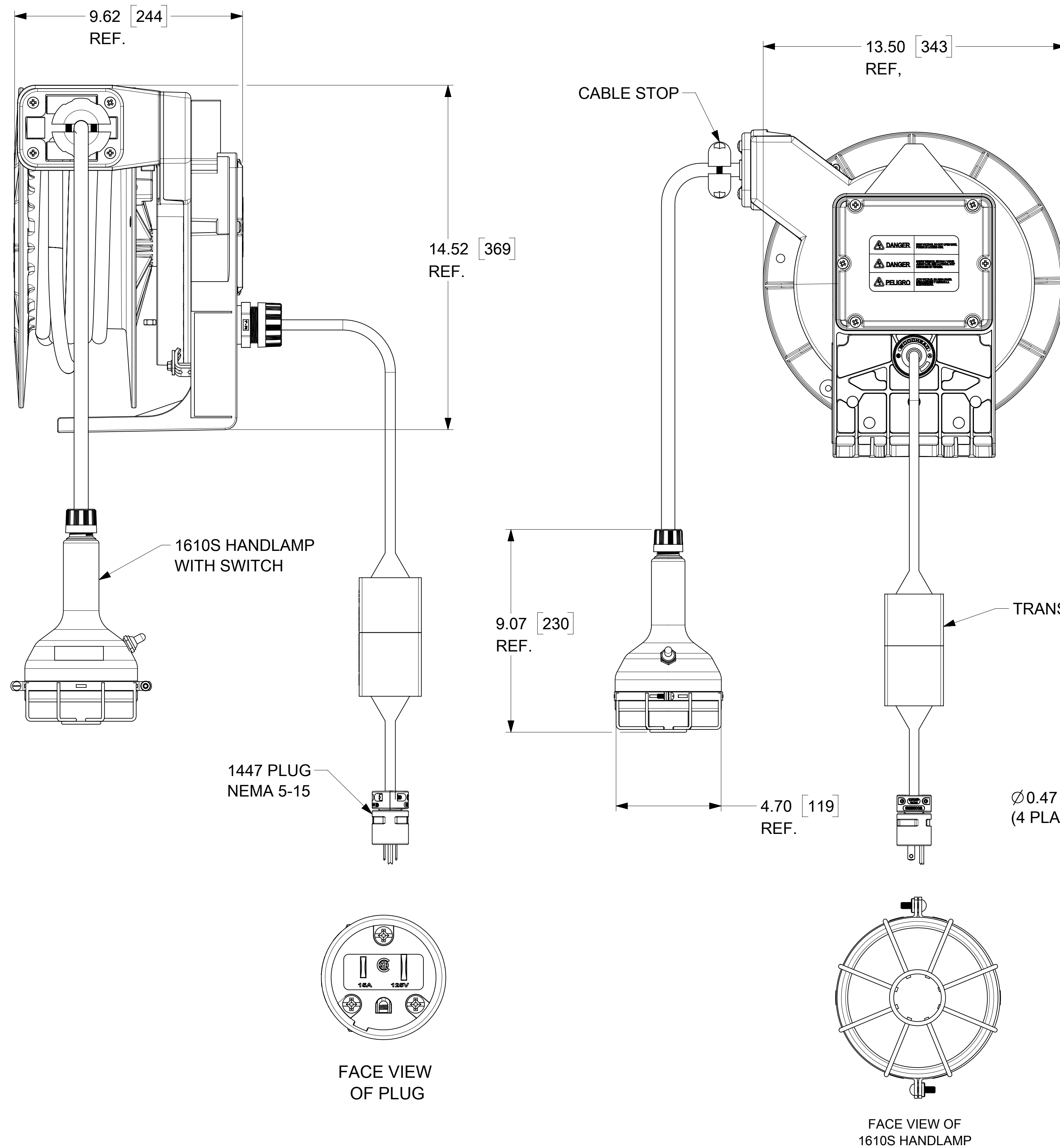
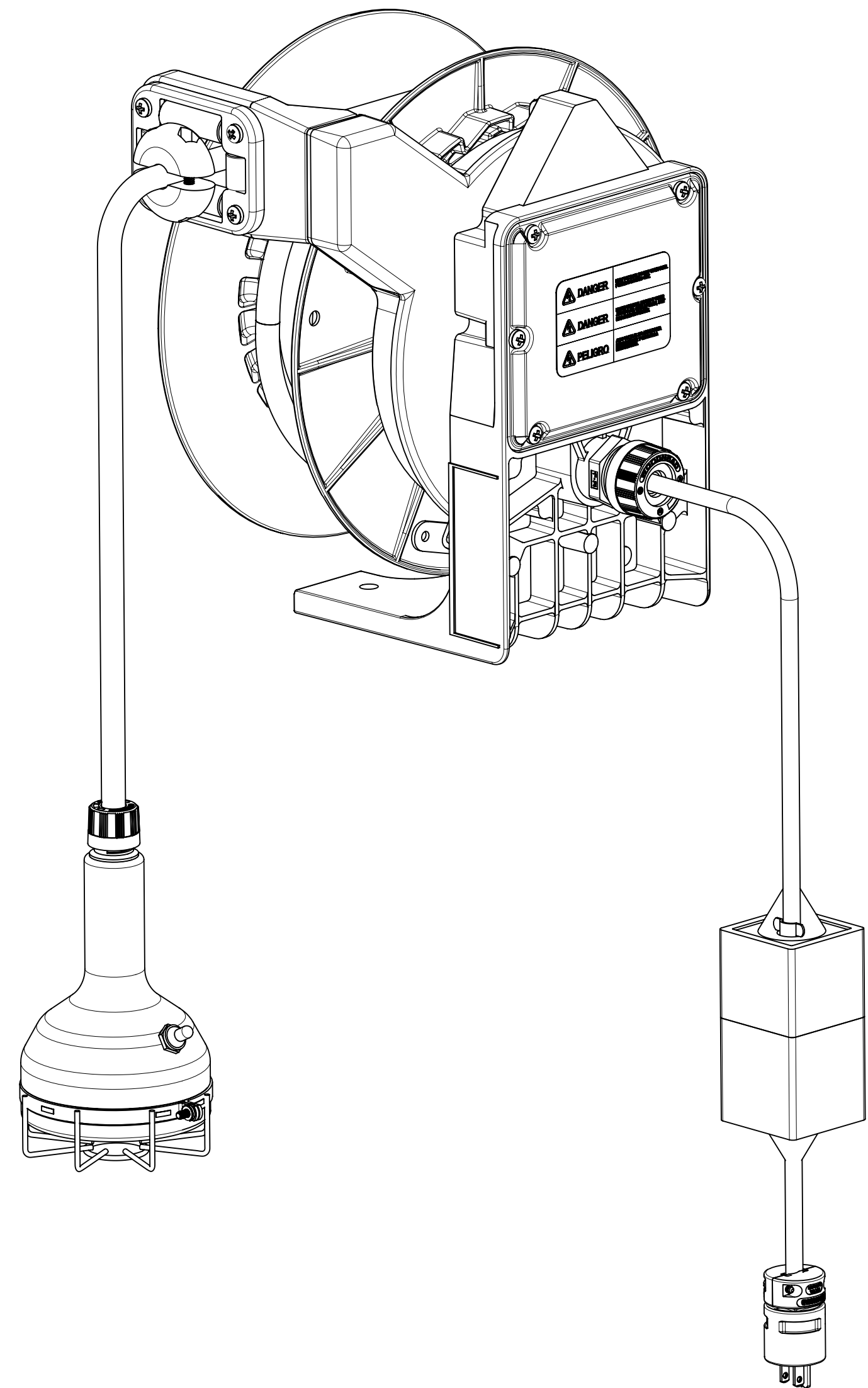


ORDER NO	130083-0773
WOODHEAD ENG. NO	9228-1610S
WIRE GAUGE	16
CONDUCTORS	3
AMPERAGE	9A
WORKING CORD	50 FT. YELLOW
PRIMARY CORD LENGTH	6 FT. YELLOW
CORD TYPE	SOOW
CONSTRUCTION	HEAVY WALL CAST ALUMINUM
PAINT	YELLOW POWDER COAT
REEL ENCLOSURE RATING	NEMA 4 INDOOR / OUTDOOR
RETRACTION WEIGHT	4.0 LB [1.8 KG]



**NOTES:**

1. CABLE GUIDE IS ADJUSTABLE EVERY 5 DEGREES OVER 270 DEGREE ARC.
2. RATCHET LOCK IS EASY TO DISENGAGE FOR CONSTANT TENSION.
3. REEL CANNOT BE "LOCKED OUT" AT FULL EXTENSION.
4. CABLE STOP IS INCLUDED

FUNCTIONAL SYMBOLS	THIS DRAWING CONTAINS INFORMATION THAT IS PROPRIETARY TO MOLEX ELECTRONIC TECHNOLOGIES, LLC AND SHOULD NOT BE USED WITHOUT WRITTEN PERMISSION		
DIMENSION UNITS	INCH/MM	SCALE	NTS
DRAWING		CURRENT REV DESC:	RELEASE CUSTOMER
GENERAL TOLERANCES (UNLESS SPECIFIED)			
	MM	INCH	
4 PLACES ±	±		
3 PLACES ±	±		
2 PLACES ±	0.25	0.01	
1 PLACE ±	0.13	0.02	
0 PLACES ±	±		
ANGULAR TOL	± 0.5 °		
DRAFT WHERE APPLICABLE MUST REMAIN WITHIN DIMENSIONS		THIRD ANGLE PROJECTION	
		DRAWING	D-SIZE
		SERIES	130083
		MATERIAL NUMBER	SEE TABLE
		CUSTOMER	GENERAL MARKET
		SHEET NUMBER	1 OF 1
		EC NO:	675217
		DRWN:	VHANDI 2020/10/05
		CHK'D:	DSOPPIN 2022/08/01
		APPR:	HKNEELAND 2022/08/10
		INITIAL REVISION:	
		DRWN:	DRWN BY XXXX/XX/XX
		APPR:	APPR BY XXXX/XX/XX
		DOCUMENT NUMBER	1300830773
		DOC TYPE	PSD
		DOC PART	000
		REVISION	A



CABLE REEL – INDUSTRIAL DUTY 50' #16-3 SOOW W/ 12V 30W SPOTLIGHT W/ SWITCH, NEMA 5-15 PLUG & TRANSFORMER ON PRIMARY

PRODUCT CUSTOMER DRAWING