

2-160304-4 ✓ ACTIVE

FASTON | FASTON 250

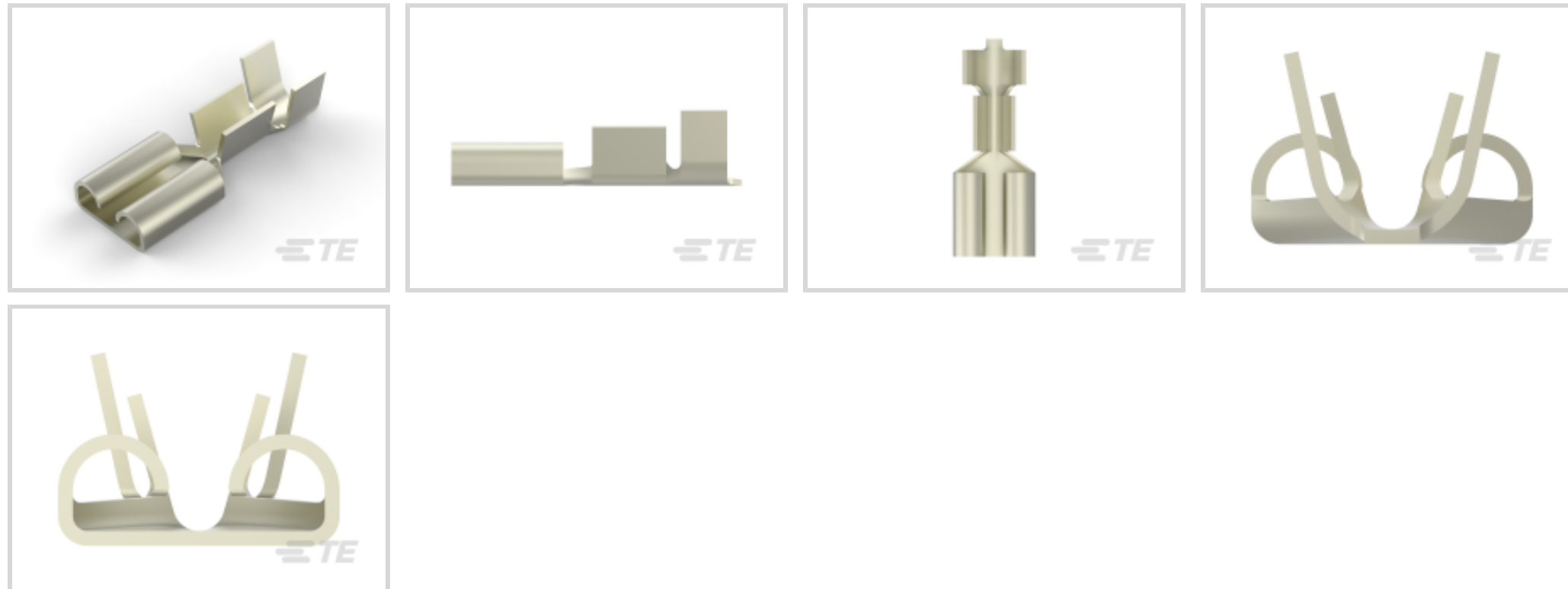
TE Internal #: 2-160304-4

Receptacle, 17 – 14 AWG Wire Size, 1 – 2.5 mm<sup>2</sup> Wire Size, Mating  
Tab Width 6.35 mm [.25 in], Straight, Steel, FASTON 250, Quick  
Disconnects

[View on TE.com >](#)



Terminals & Splices > Quick Disconnects



Quick Disconnect Terminal Type: **Receptacle**

Wire Size: 1 – 2.5 mm<sup>2</sup>

Mating Tab Width: 6.35 mm [.25 in]

Mating Tab Thickness: .81 mm [.032 in]

## Features

### Product Type Features

|                 |        |
|-----------------|--------|
| Insertion Force | Normal |
|-----------------|--------|

### Configuration Features

|                     |        |
|---------------------|--------|
| Connection Capacity | Single |
|---------------------|--------|

|                                   |               |
|-----------------------------------|---------------|
| Compatible With Wire & Cable Type | Discrete Wire |
|-----------------------------------|---------------|

### Contact Features

|                                |            |
|--------------------------------|------------|
| Quick Disconnect Terminal Type | Receptacle |
|--------------------------------|------------|

|                  |                  |
|------------------|------------------|
| Mating Tab Width | 6.35 mm [.25 in] |
|------------------|------------------|

|                      |                  |
|----------------------|------------------|
| Mating Tab Thickness | .81 mm [.032 in] |
|----------------------|------------------|

|                      |          |
|----------------------|----------|
| Terminal Orientation | Straight |
|----------------------|----------|

|                       |       |
|-----------------------|-------|
| Contact Base Material | Steel |
|-----------------------|-------|

|                           |            |
|---------------------------|------------|
| Terminal Plating Material | Pre-Nickel |
|---------------------------|------------|

|            |         |
|------------|---------|
| Crimp Type | F-Crimp |
|------------|---------|

|             |      |
|-------------|------|
| Barrel Type | Open |
|-------------|------|

### Termination Features



|                       |              |
|-----------------------|--------------|
| Product Terminates To | Wire & Cable |
|-----------------------|--------------|

### Mechanical Attachment

|                         |        |
|-------------------------|--------|
| Wire Insulation Support | With   |
| Mating Retention Type   | Dimple |

### Dimensions

|                                      |                            |
|--------------------------------------|----------------------------|
| Product Length                       | 20.2 mm[.795 in]           |
| Compatible Insulation Diameter Range | 3 – 4.3 mm[.118 – .169 in] |
| Wire Size                            | 1 – 2.5 mm <sup>2</sup>    |

### Usage Conditions

|                             |                            |
|-----------------------------|----------------------------|
| Insulation Option           | Uninsulated                |
| Operating Temperature Range | -40 – 250 °C[-40 – 482 °F] |

### Industry Standards

|   |         |
|---|---------|
| Compatible With Agency/Standards Products | CSA, UL |
|---|---------|

### Packaging Features

|                    |                    |
|--------------------|--------------------|
| Packaging Quantity | 500                |
| Packaging Method   | Loose Piece/Carton |

### Other

|      |         |
|------|---------|
| Line | Premier |
|------|---------|

## Product Compliance

[For compliance documentation, visit the product page on TE.com>](#)

|   |   |
|---|---|
| EU RoHS Directive 2011/65/EU                  | Compliant   |
| EU ELV Directive 2000/53/EC                   | Compliant   |
| China RoHS 2 Directive MIIT Order No 32, 2016 | No Restricted Materials Above Threshold   |
| EU REACH Regulation (EC) No. 1907/2006        | Current ECHA Candidate List: JUNE 2024 (241)<br>Candidate List Declared Against: JUNE 2024 (241)<br>Does not contain REACH SVHC |
| Halogen Content                               | Low Halogen - Br, Cl, F, I < 900 ppm per homogenous material. Also BFR/CFR/PVC Free   |
| Solder Process Capability                     | Not applicable for solder process capability  |

Product Compliance Disclaimer

This information is provided based on reasonable inquiry of our suppliers and represents our current actual knowledge based on the information they provided. This information is subject to change. The part numbers that TE has identified as EU RoHS compliant have a maximum concentration of 0.1% by weight in homogenous materials for lead, hexavalent chromium, mercury, PBB, PBDE, DBP, BBP, DEHP, DIBP, and 0.01% for cadmium, or qualify for an exemption to these limits as defined in the Annexes of Directive 2011/65/EU (RoHS2). Finished electrical and electronic equipment products will be CE marked as required by Directive 2011/65/EU. Components may not be CE marked. Additionally, the part numbers that TE has identified as EU ELV compliant have a maximum concentration of 0.1% by weight in homogenous materials for lead, hexavalent chromium, and mercury, and 0.01% for cadmium, or qualify for an exemption to these limits as defined in the Annexes of Directive 2000/53/EC (ELV). Regarding the REACH Regulation, the information TE provides on SVHC in articles for this part number is based on the latest European Chemicals Agency (ECHA) 'Guidance on requirements for substances in articles' posted at this URL: <https://echa.europa.eu/guidance-documents/guidance-on-reach>

## Compatible Parts



REPRESENTATION ONLY

TE Part # 674655  
DAHT FASTON 22-14 ASSY



REPRESENTATION ONLY, DIE SET MAY VARY.

TE Part # 2063429-1  
SDE F FASTON 250 0.35-2.50mm2 ASSY



TE Part # 2063429-2  
SDE F FASTON 250 0.35-2.50mm2 DIE SET



TE Part # 4-1377174-6  
SMP 2-0160304-4

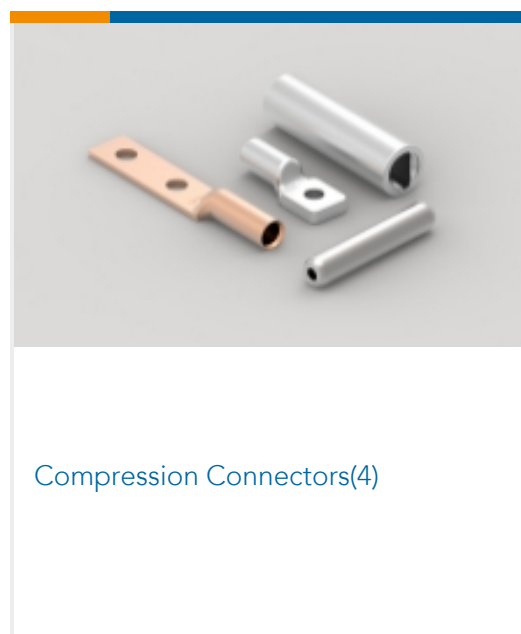


TE Part # 169400  
CERTI-LOK FRAME W/O DIES

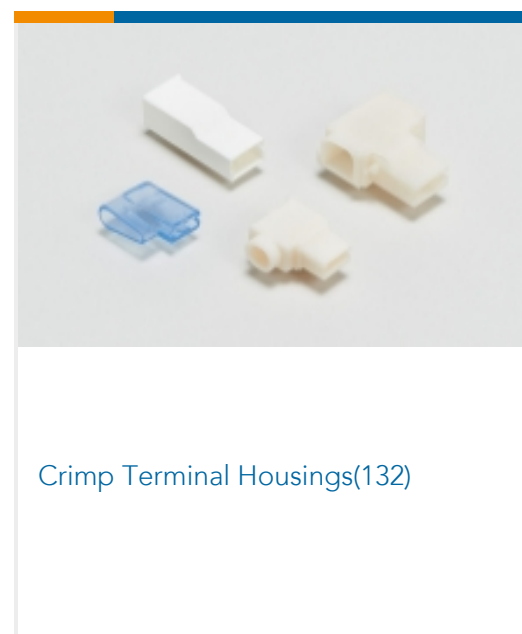


TE Part # 9-1579022-1  
CERTILOK DIE FASTON 6.3


## Also in the Series | FASTON 250



Compression Connectors(4)



Crimp Terminal Housings(132)



Insertion & Extraction Tools(6)



Magnet Wire Terminals(1)



PCB Terminals(134)



Quick Disconnects(426)

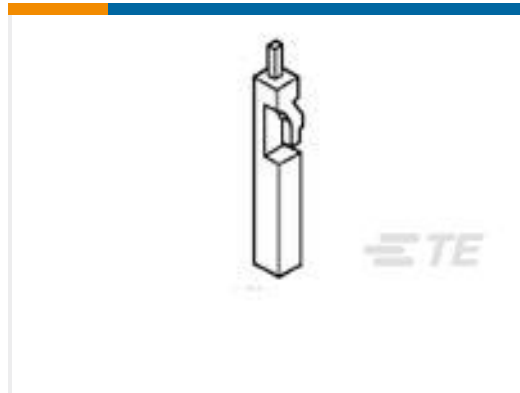


Splices(4)

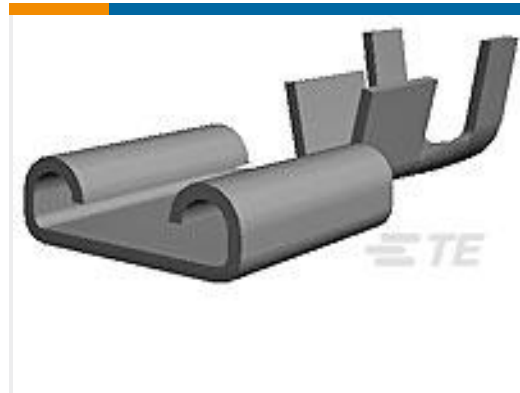
## Customers Also Bought



TE Part #2-1437012-8  
609-007-1=HDW IDC JACKSOCKET A



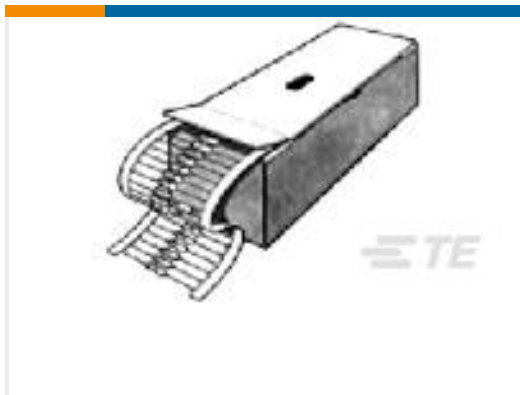
TE Part #926519-2  
KEYING PLUG



TE Part #4-160256-2  
250 FASTON,REC.,17-14 AWG,PNST



TE Part #179973-1  
250 PL EX REC. 22-18AWG PTBR



TE Part #2176083-5  
EP 5W (S) 47R 5%



TE Part #4-1393211-4  
T92P11A22-240



TE Part #8-1768016-9  
CSL Self Laminating Polyester Labels



TE Part #6-1462039-0  
IM06PNS=IM RELAY 140mW 12V

## Documents

### Product Drawings

[250 FASTON,REC.,14-17AWG,PNIPST](#)

English

### CAD Files

[3D PDF](#)

3D

Customer View Model

[ENG\\_CVM\\_CVM\\_2-160304-4\\_O\\_c-2-160304-4-o.2d\\_dxf.zip](#)

English

Customer View Model

[ENG\\_CVM\\_CVM\\_2-160304-4\\_O\\_c-2-160304-4-o.3d\\_igs.zip](#)

English

Customer View Model

[ENG\\_CVM\\_CVM\\_2-160304-4\\_O\\_c-2-160304-4-o.3d\\_stp.zip](#)

English

By downloading the CAD file I accept and agree to the [Terms and Conditions](#) of use.



---

[Product Specifications](#)

[Application Specification](#)

English