

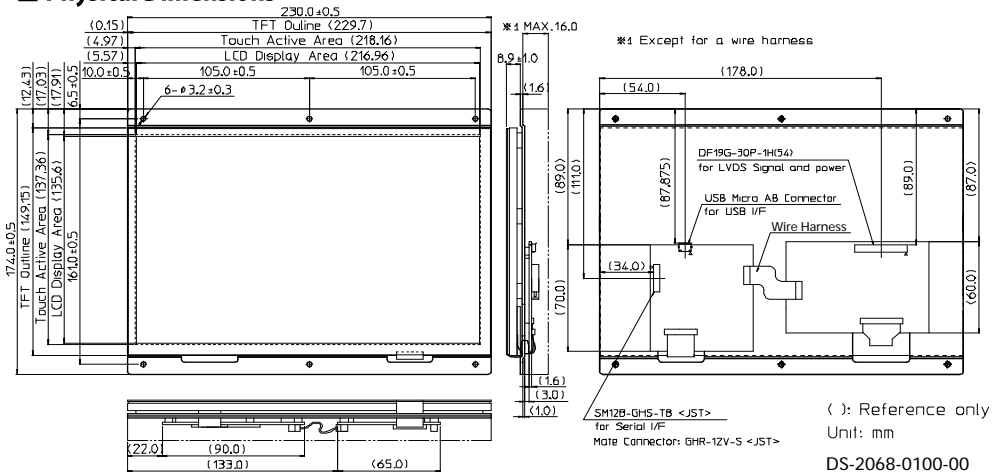
# GTWX101VLB00P

## SIMPLIFIED DATASHEET

### Features

- 10.1 inch TFT-LCD
- 1280 x RGB x 800 dot
- High Brightness (850cd/m<sup>2</sup>)
- Video input is LVDS
- Touch I/F is USB (HID compliant)
- Quick Setup  
(Just connect to a PC or SBC host)
- FLETAS touch panel mounted  
[Features of FLETAS]
  - High sensitivity
  - Excellent noise resistance

### Physical Dimensions



### Get full specification



Click here to go to request form.

### Specifications

#### Basic Specification

Item	Type	Content
Display	Type	TFT-LCD
	Size	10.1 inches
	Display Area	216.96 x 135.6 mm (X x Y)
	Number of Pixels	1280 x RGB x 800
	Pixel Pitch	0.1695 x 0.1695 mm (X x Y)
	Colors	16.7M (24-bit color)
	Recommend Viewing Direction	ALL
	Gray Scale Inversion Direction	-
	Brightness(100%)	Typ. 850 cd/m <sup>2</sup> (nit) (*1)
FLETAS Touch Panel	Type	Metallized projective capacitive touch
	Touch Active Area	218.16 x 137.36 mm
	Number of Touches	Max. 10 points (multi touch possible)
Control	Interface	UART, I2C, USB2.0
	Commands	Backlight (display brightness) adjustment, touch sensitivity adjustment, etc.

(\*1) Backlight brightness 100%

#### Electrical Ratings

Item	Symbol	Min.	Typ.	Max.	Unit	Condition
Power Supply Voltage	VCC1	3.14	3.3	3.47	VDC	See specification
Backlight Power Supply	VCC2	11.4	12.0	12.6	VDC	

#### Electrical Characteristics

Conditions: Ambient temperature = 25°C, VCC=5.0VDC

Parameter	Symbol	Min.	Typ.	Max.	Unit	Condision
UART	(*1)TXD	VOH1	2.7	-	-	VDC IOH1 = -4.0mA
	(*1)SCL, SDA	VOL1	-	-	0.5	VDC IOL1 = 8.0mA
I2C	(*1)/IRQ	VOH3	2.7	-	-	VDC IOH3 = -4.0mA
	(*2) SDA, SCL	VOL3	0	-	0.5	VDC IOL3 = 8.0mA
		Rp	-	220	-	kΩ Pull-up Voltage 3.3V
Power Supply	Current for LCD	ICC1	-	390	530	mADC All White, (*3) 100%
		ICC2-1	-	430	550	mADC (*3) 100%
	ICC2-2	-	320	420	mADC (*3) 50%	
	ICC2-3	-	5	10	mADC Backlight OFF BLEN="L"	
	Power Consumption	P1	-	1.3	1.7	W All White, (*3) 100%
	P2	-	5.2	6.6	W (*3) 100%	

(\*1) Logic Output Voltage, (\*2) Internal Pull-up Resistor, (\*3) Backlight brightness

#### Environmental Specifications

Parameter	Content
Operating Temperature	-20 to +60°C
Storage Temperature	-20 to +80°C
Operating Humidity	Temp. ≤ 60°C, 80% RH MAX. (No dew condensation)
	Temp. > 60°C, Absolute humidity shall be less than 80% RH at 60°C (No dew condensation)
Vibration (non-operating)	10-55-10Hz, all amplitude 1mm, 30 minutes, X-Y-Z
Shock (non-operating)	392m/s <sup>2</sup> (40G) 9ms X-Y-Z, 3 times each direction

#### Interface/Connectors

Pin 5~8, 13, 14, 17, • LVDS / MCB-040 [CN1] 20, 23, 26, 30 = GND

Pin	Symbol	Content	Pin	Symbol	Content
1-4	VCC2	+12.0V Power Supply	15	Link 0-	R0, R1, R2, R3,
		Backlight ON/OFF	16	Link 0+	R4, R5, G0
9	BLEN	(High:ON, Low:OFF) Backlight Dimming	18	Link 1-	G1, G2, G3,
		Control (PWM) Voltage (High active)	19	Link 1+	G4, G5, B0, B1
10	PDIM	Voltage (High active)	21	Link 2-	B2, B3, B4,
			22	Link 2+	B5, DENA
			24	CLKIN-	Clock -
			25	CLKIN+	Clock +
27	Link 3-	R6, R7, G6,			
28	Link 3+	G7, B6, B7			
11-12	VCC1	+3.3V Power Supply	29	NC	No Connection

• UART, I2C : / MCB-039 [CN1]

Pin	Symbol	Content	Pin	Symbol	Content
1-4	IC	Internal Connection	8	/RESET	Reset input
5	SDA	I2C data	9	NC	No Connection
6	/IRQ	Interrupt output (I2C data available)	10	GND	Ground
7	SCL	I2C clock	11	TXD	UART send
12	RXD	UART receive	12	RXD	UART receive

• USB / MCB-039 [CN3]

Pin	Symbol	Content	Pin	Symbol	Content
1	VBUS	VBUS	4	ID	NC
2	D-	Data -	5	GND	Ground
3	D+	Data +			

\*Power supply VCC cannot be supplied from VBUS. Please use the power connector (MCB-040-CN1).

#### Functions

Single-touch mode/ multi-touch mode setting, Memory SW function, Brightness level setting, Touch sensitivity setting etc.



Leaflet contents, and specifications and external appearance of products, may change without notice.

Please confirm product details in the specification.

(C)Copyright NORITAKE ITRON CORP.