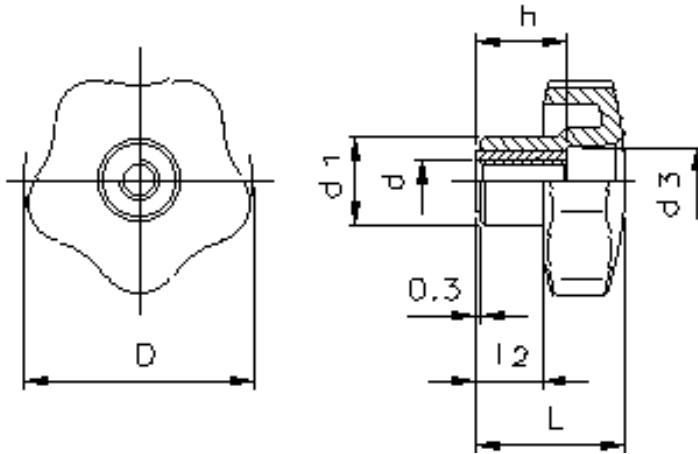


VCT.FP

ELESA original design

Lobe knobs



Standard Elessa		Main dimensions					Mounting hole		Weight
Code	Description	D	L	d1	d3	l2	d6H	h	grams
69847	VCT.32FP-M5	32	23	15	10	10	M5	12	11
69848	VCT.32FP-M6	32	23	15	10	10	M6	12	10
69897	VCT.40FP-M6	40	27	17	12	12	M6	18	26
69898	VCT.40FP-M8	40	27	17	12	12	M8	18	24
69956	VCT.50FP-M8	50	32	19	15	14	M8	20	38
69957	VCT.50FP-M10	50	32	19	15	14	M10	20	34
69958	VCT.50FP-M12	50	32	19	15	14	M12	20	30
70017	VCT.63FP-M10	63	37	22	19	16	M10	26	42
70018	VCT.63FP-M12	63	37	22	19	16	M12	26	46

Special black matte finish, high impact strength technopolymer. Resistant to solvents, oils, greases and other chemical agents.
Brass insert with tapped through hole.

The special type of technopolymer used and matte finish make this knob elegant and soft to touch. The operator obtains a strong clamping action without any discomfort due to its ergonomic design: five lobes, blended radius and well-proportioned rim height assure a natural, safe and comfortable grip.

ELESA models - all rights reserved in accordance with the law. Always mention the source when reproducing our drawings.

Copyright © 2000 - 2003 Elessa.