

Interface module - DFLK-D15 SUB/F/FKCT - 2903065


Please be informed that the data shown in this PDF Document is generated from our Online Catalog. Please find the complete data in the user's documentation. Our General Terms of Use for Downloads are valid (<http://phoenixcontact.com/download>)



The VARIOFACE feed-through module implements a 1:1 connection between plug-in push-in spring-cage connection terminal blocks and a D-SUB miniature socket strip (number of positions: 15). A separate ground tap is available.



Key Commercial Data

Packing unit	1 pc
GTIN	 4 046356 709453
GTIN	4046356709453

Technical data

Dimensions

Width	38 mm
Height	58.5 mm
Depth	46 mm

Ambient conditions

Ambient temperature (operation)	-20 °C ... 50 °C
Ambient temperature (storage/transport)	-20 °C ... 70 °C
Degree of protection	IP20

General

Nominal voltage U_N	25 V AC
	60 V DC
Max. perm. current (per branch)	2.5 A
Max. permissible current (all branches)	37.5 A
Number of positions	15
Mounting position	any
Assembly instructions	In rows with zero spacing

Connection data

Interface module - DFLK-D15 SUB/F/FKCT - 2903065

Technical data

Connection data

Connection name	Field level
Connection method	Push-in spring connection
Stripping length	10 mm
Conductor cross section solid	0.2 mm ² ... 2.5 mm ²
Conductor cross section flexible	0.2 mm ² ... 2.5 mm ²
Conductor cross section AWG	24 ... 12
pluggable	Yes

Connection data 2

Connection name	Controller level
Connection method	D-SUB socket strip
Number of positions	15

Standards and Regulations

Connection in acc. with standard	CUL
Standards/regulations	DIN EN 50178
	IEC 60664
Rated insulation voltage	125 V
Rated surge voltage	1.2 kV (Functional insulation)
Pollution degree	2
Overvoltage category	II

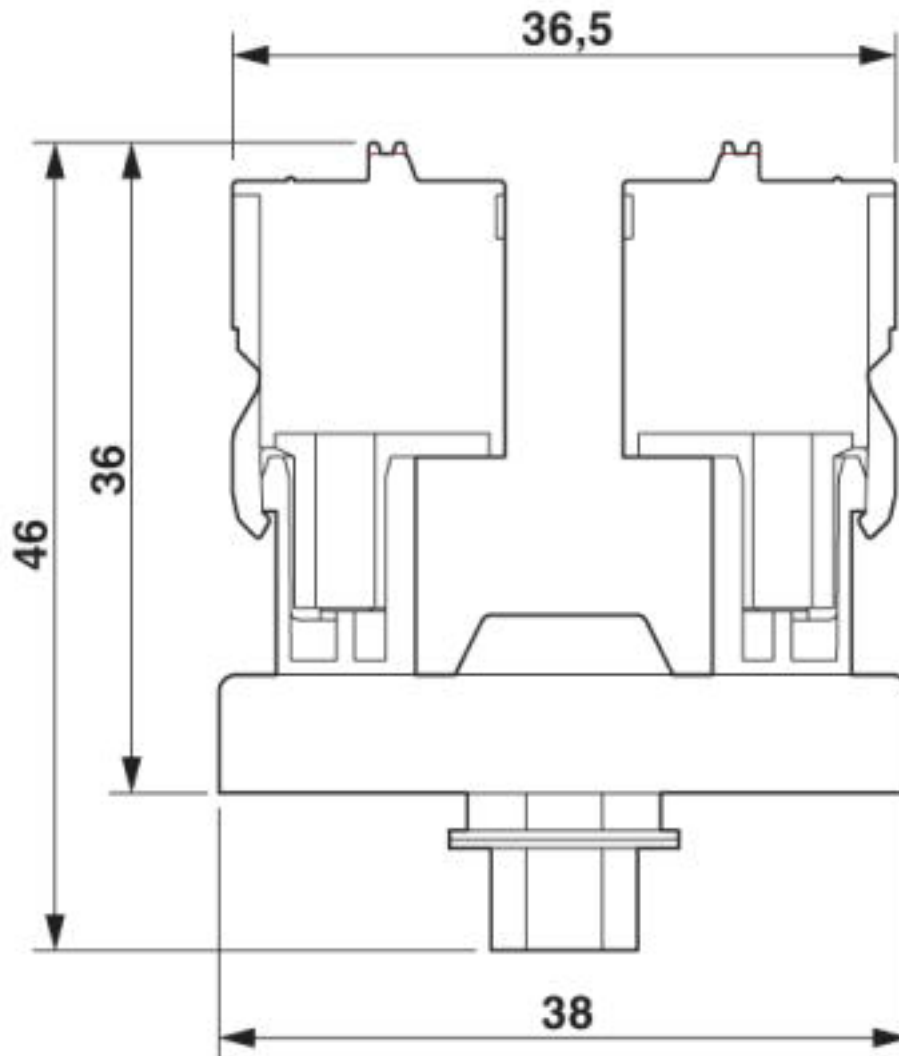
Environmental Product Compliance

China RoHS	Environmentally Friendly Use Period = 50
	For details about hazardous substances go to tab "Downloads", Category "Manufacturer's declaration"

Drawings

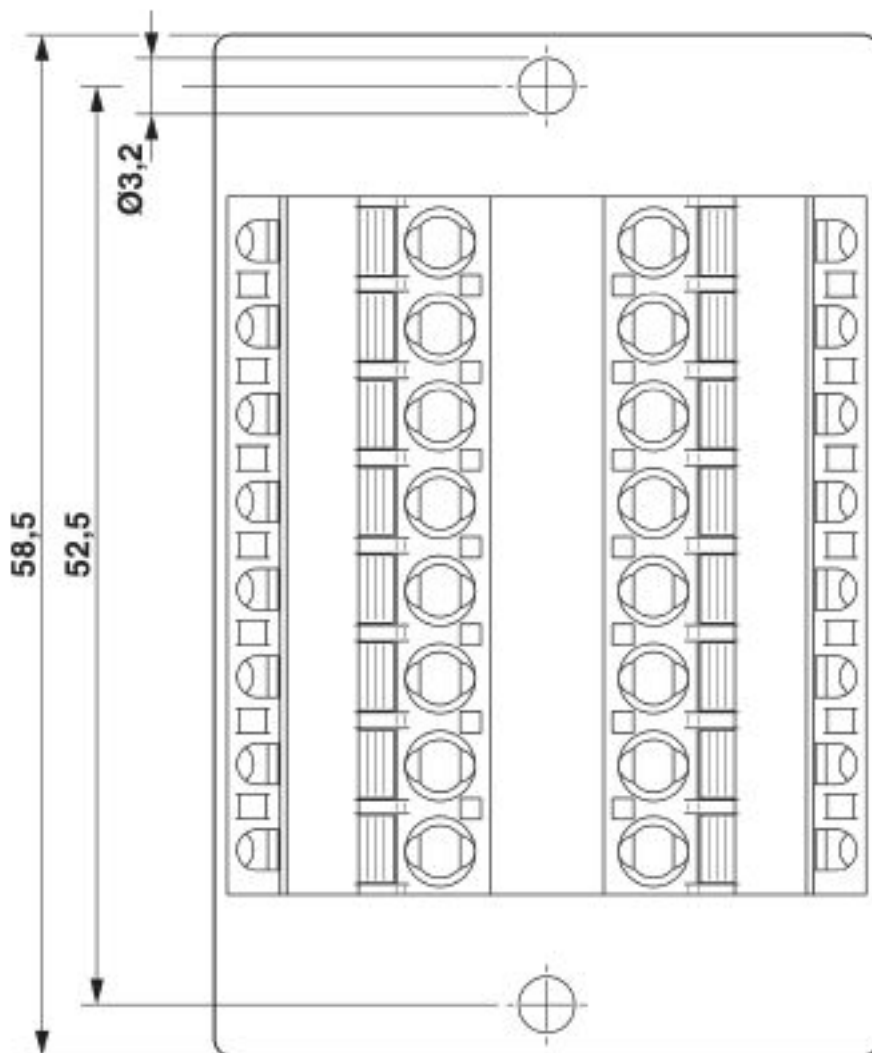
Interface module - DFLK-D15 SUB/F/FKCT - 2903065

Dimensional drawing



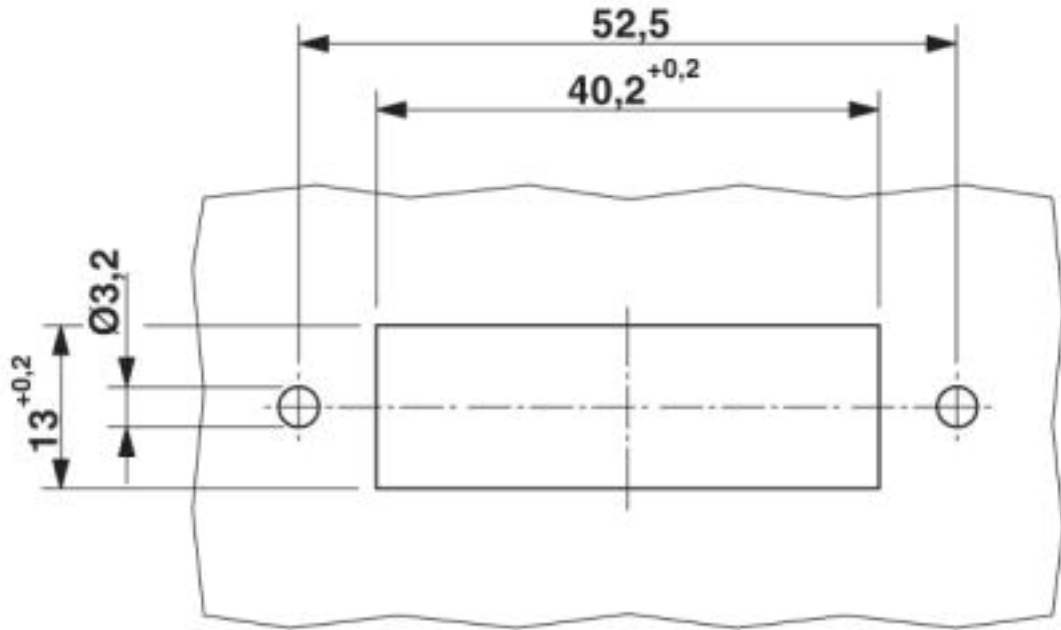
Interface module - DFLK-D15 SUB/F/FKCT - 2903065

Dimensional drawing



Interface module - DFLK-D15 SUB/F/FKCT - 2903065

Dimensional drawing



Approvals

Approvals

Approvals

UL Recognized / cUL Recognized / EAC / cULus Recognized


Ex Approvals

Approval details


UL Recognized		http://database.ul.com/cgi-bin/XYV/template/LISEXT/1FRAME/index.htm	FILE E 238705
Nominal voltage UN	125 V		
Nominal current IN	1 A		
mm ² /AWG/kcmil	30-12		


Interface module - DFLK-D15 SUB/F/FKCT - 2903065

Approvals

cUL Recognized		http://database.ul.com/cgi-bin/XYV/template/LISEXT/1FRAME/index.htm	FILE E 238705
----------------	-----------------------------------------------------------------------------------	-------------------------------------------------------------------------------------------------------------------------------------------------------	---------------

Nominal voltage UN	125 V
Nominal current IN	1 A
mm ² /AWG/kcmil	30-12

EAC		RU C- DE.A*30.B.01742
-----	-----------------------------------------------------------------------------------	--------------------------

cULus Recognized	
------------------	-----------------------------------------------------------------------------------

Phoenix Contact 2019 © - all rights reserved
<http://www.phoenixcontact.com>

PHOENIX CONTACT GmbH & Co. KG
Flachsmarktstr. 8
32825 Blomberg
Germany
Tel. +49 5235 300
Fax +49 5235 3 41200
<http://www.phoenixcontact.com>