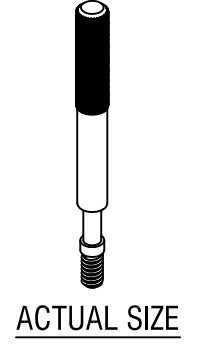
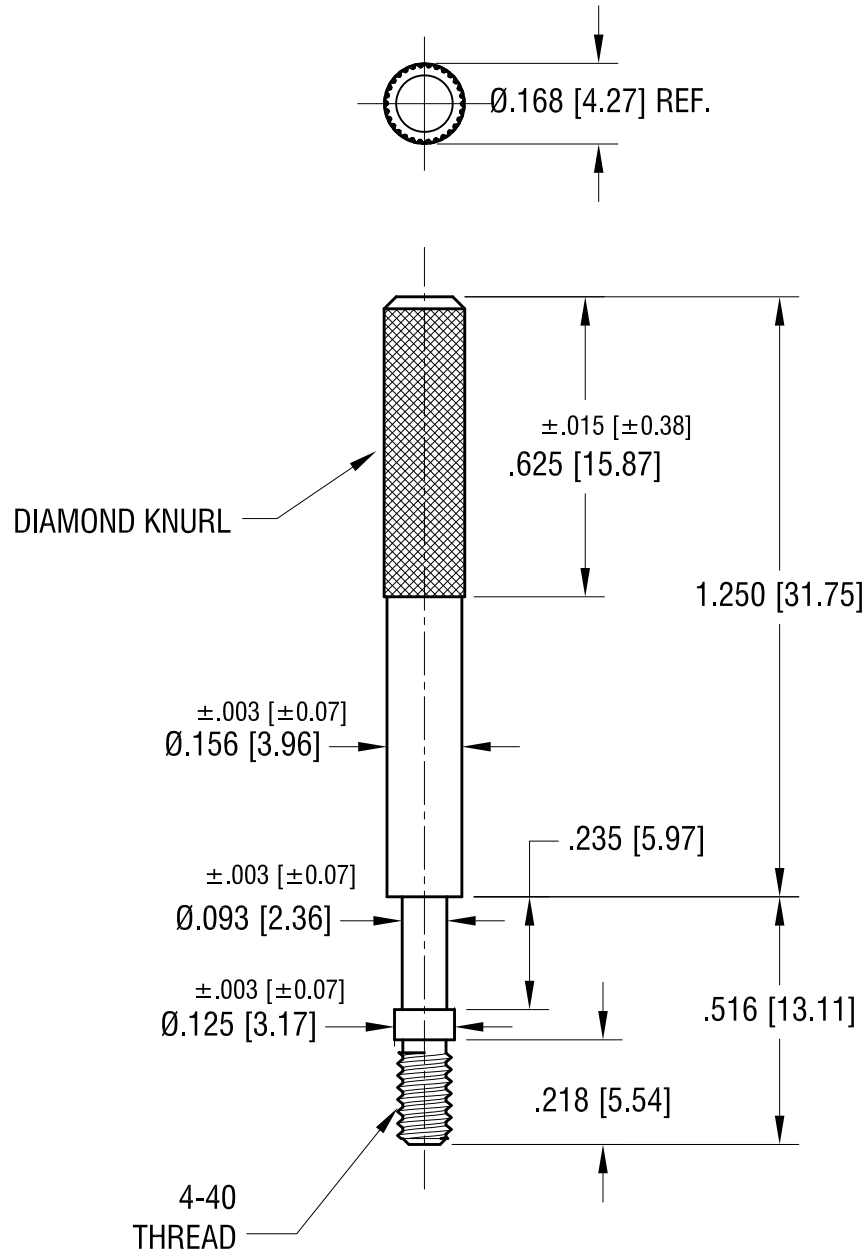


THIS DOCUMENT IS THE PROPERTY OF
KEYSTONE ELECTRONICS CORP. AND
SHALL NOT BE REPRODUCED, DISTRIBUTED
OR USED AS A BASIS FOR MANUFACTURE
WITHOUT PRIOR WRITTEN PERMISSION
FROM KEYSTONE ELECTRONICS CORP.



12.18.23	CHANGE AS PER ECN 23-317	B
1.04.00	CHANGE AS PER ECR 00-003	A
DATE	DESCRIPTION	REV.

KEYSTONE ELECTRONICS CORP.			
www.keyelco.com • NEW HYDE PARK NY 11040 • Tel (516)328-7500			
PART NAME			
JACK SCREW, TURNABLE			
MATERIAL			
STEEL			
FINISH		DRN BY	DATE
NICKEL PLATE		BOONE	10.28.99
		APP'D	SCALE
		RH	2.5X
TOLERANCES	INCH [MM]	CODE	DWG NO.
DECIMAL	± .010 [± 0.25]	C	2068
ANGULAR	± 1°		
UNLESS OTHERWISE SPECIFIED			