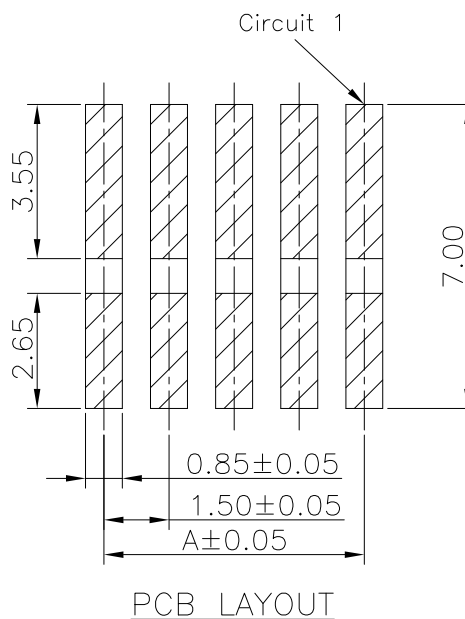
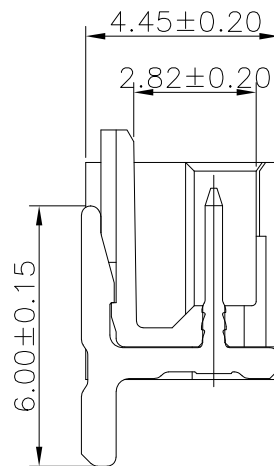
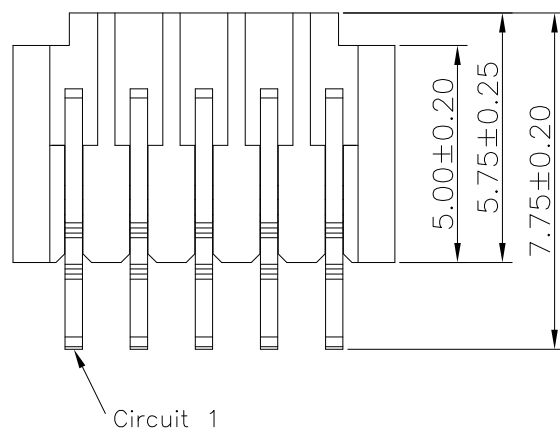
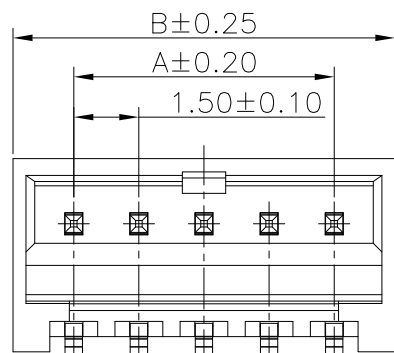


修订 REV	标记 MARK	修改摘要 REVISION DESCRIPTION	签名 SIGNATURE	日期 DATE
AO		NEW DWG		2021-03-17



Ordering Information & Dimensions

PIN	Dimensions	
	A	B
2P	1.50	4.30
3P	3.00	5.80
4P	4.50	7.30
5P	6.00	8.80
6P	7.50	10.30
7P	9.00	11.80
8P	10.50	13.30
9P	12.00	14.80
10P	13.50	16.30
11P	15.00	17.80
12P	16.50	19.30
13P	18.00	20.80
14P	19.50	22.30
15P	21.00	23.80

SPECIFICATIONS

Current Rating: 3A AC,DC
 Voltage Rating: 350V AC,DC
 Temperature Range: -25°C ~ +85°C
 Contact Resistance: 20mΩ Max.
 Insulation Resistance: 1000MΩ Min.
 Withstanding Voltage: 500V AC/minute
 Pin Material: Brass/Tin-plated
 Material: LCP,UL94V-0
 Color: Natural(Beige)



深圳市华德共创科技有限公司
 Shenzhen Huade co-create Technology Co.,LTD
 电话: 0755-27129737 传真: 0755-29940187

-TOLERANCES- UNLESS OTHERWISE SPECIFIED 公差参数表				TITLE: 产品名称: MX1.5卧贴			
X.X	±0.30	X.X*	±3°	APPD: 核准:	谢亮		
X.XX	±0.30	X.XX*	±2°	CHECK: 校对:	王建业		
X.XXX	±0.10	X.XXX*	±1°	DRAW: 绘图:	黄艳兰		
				DATE	SCALE	UNIT	CODE NUMBER
				2021-03-17	1:1	mm	A018