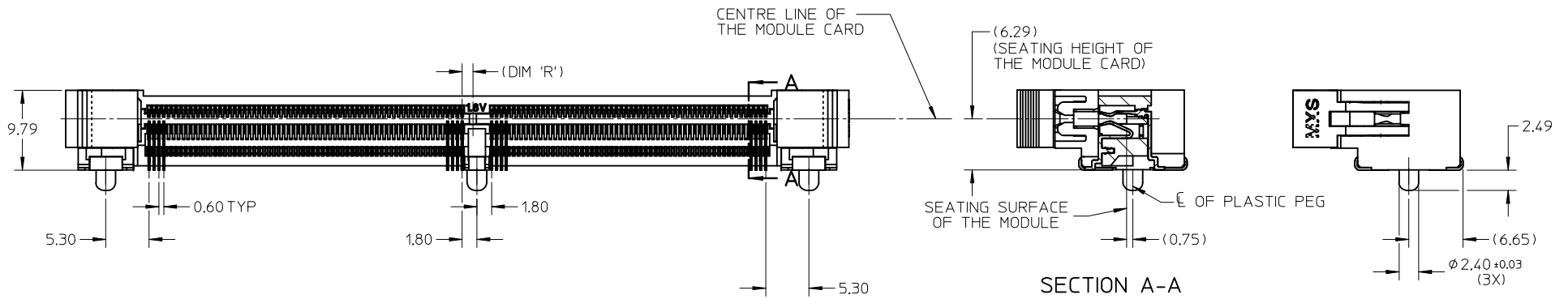


NOTES :

- MATERIAL :
HOUSING : HIGH TEMPERATURE LIQUID CRYSTAL POLYMER, UL94V-0
COLOUR : BLACK
CONTACTS : COPPER ALLOY
LATCHES : HIGH TEMPERATURE NYLON, UL94V-0,
COLOUR : NATURAL (OFF-WHITE)
- FINISH :
CONTACT AREA : 0.76 MICROMETER (30 MICROINCH) MIN GOLD OVER
1.25 MICROMETER (50 MICROINCH) MIN NICKEL
SOLDER LEADS : 2.54 MICROMETER (100 MICROINCH) MIN TIN OVER
1.25MICROMETER (50 MICROINCH) MIN NICKEL
- ACCEPTS 1.0 mm THICK MEMORY MODULE PER JEDEC MO-244
FOR 244 CKTS AND MO-258 FOR 200 CKTS.
- PRODUCT SPECIFICATION : PS-78001-001
- PACKAGING SPECIFICATION: PRODUCT SHALL BE PACKED IN TRAY.
PLS REFER TO SHEET 4.

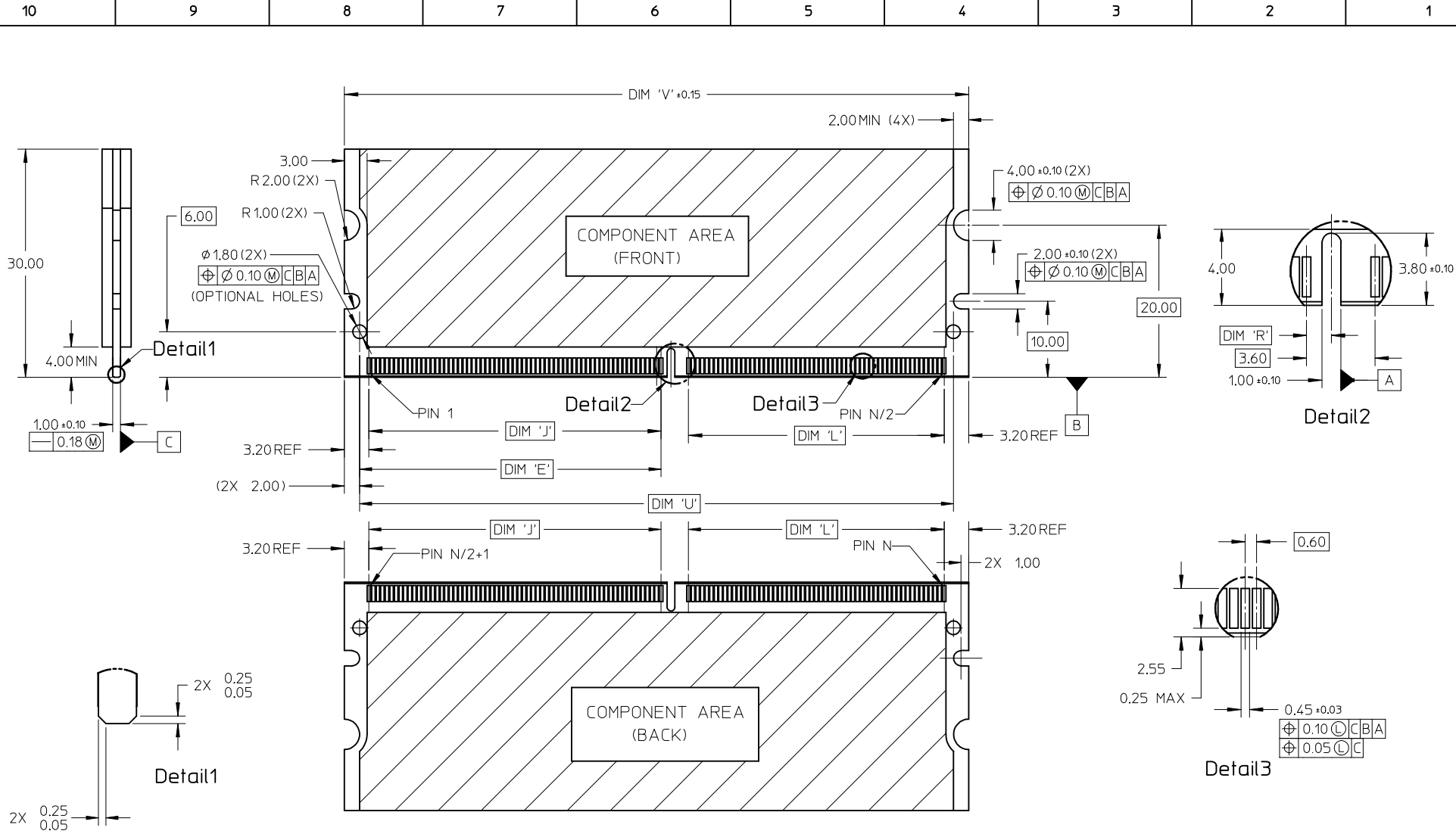
△6 DATE CODE SHALL BE MARKED LEGIBLY AS SHOWN :YYDD

△7 PART NUMBER SHALL BE MARKED LEGIBLY AS SHOWN.
78001-XXXX (REFER TO TABLE)



SECTION A-A

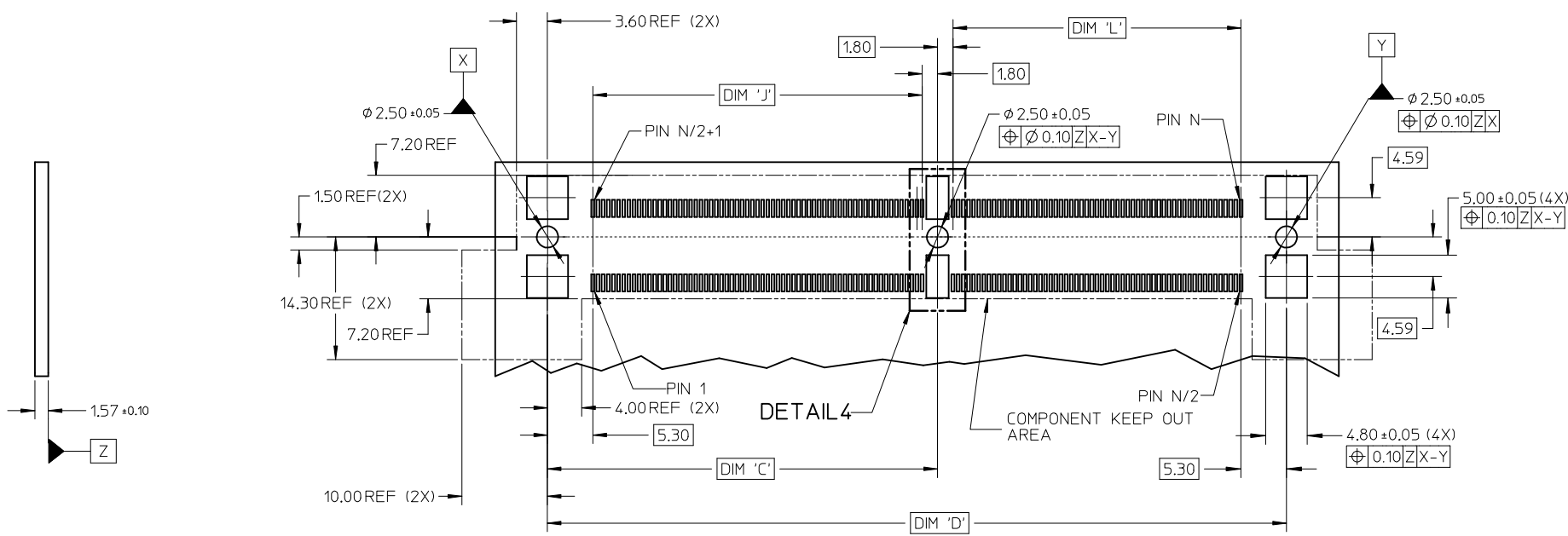
ADD PART NUMBER EC NO: S2014-0858 DRWN: JAKEENW 2013/12/26 CH'KD: CCTEH 2014/03/19 APPR: SHLENI 2014/03/20 REV B3	QUALITY SYMBOLS $\nabla F=0$ $\nabla F=0$ $\nabla F=0$	GENERAL TOLERANCES (UNLESS SPECIFIED)	DIMENSION STYLE MM ONLY	SCALE NTS	DESIGN UNITS METRIC	THIRD ANGLE PROJECTION																													
		<table border="1"> <thead> <tr> <th></th> <th>mm</th> <th>INCH</th> </tr> </thead> <tbody> <tr> <td>4 PLACES</td> <td>± ---</td> <td>± ---</td> </tr> <tr> <td>3 PLACES</td> <td>± ---</td> <td>± ---</td> </tr> <tr> <td>2 PLACES</td> <td>± 0.13</td> <td>± ---</td> </tr> <tr> <td>1 PLACE</td> <td>± 0.25</td> <td>± ---</td> </tr> <tr> <td>0 PLACE</td> <td>±</td> <td>±</td> </tr> </tbody> </table>		mm	INCH	4 PLACES	± ---	± ---	3 PLACES	± ---	± ---	2 PLACES	± 0.13	± ---	1 PLACE	± 0.25	± ---	0 PLACE	±	±	<table border="1"> <thead> <tr> <th>DRAWN BY</th> <th>DATE</th> <th>TITLE</th> </tr> </thead> <tbody> <tr> <td>SHLENI</td> <td>2005/03/14</td> <td rowspan="4"> MINI DIMM, 0.60MM PITCH 200/244 CKTS REVERSE R/A molex </td> </tr> <tr> <td>CHECKED BY</td> <td>DATE</td> </tr> <tr> <td>APPROVED BY</td> <td>DATE</td> </tr> <tr> <td>GGLLEE</td> <td>2005/03/31</td> </tr> </tbody> </table>	DRAWN BY	DATE	TITLE	SHLENI	2005/03/14	MINI DIMM, 0.60MM PITCH 200/244 CKTS REVERSE R/A molex	CHECKED BY	DATE	APPROVED BY	DATE	GGLLEE	2005/03/31		
		mm	INCH																																
	4 PLACES	± ---	± ---																																
3 PLACES	± ---	± ---																																	
2 PLACES	± 0.13	± ---																																	
1 PLACE	± 0.25	± ---																																	
0 PLACE	±	±																																	
DRAWN BY	DATE	TITLE																																	
SHLENI	2005/03/14	MINI DIMM, 0.60MM PITCH 200/244 CKTS REVERSE R/A molex																																	
CHECKED BY	DATE																																		
APPROVED BY	DATE																																		
GGLLEE	2005/03/31																																		
	ANGULAR ± 1 ° DRAFT WHERE APPLICABLE MUST REMAIN WITHIN DIMENSIONS	MATERIAL NO. SEE TABLE	DOCUMENT NO. SD-78001-003	SHEET NO. 1 OF 4																															
		SIZE A3 THIS DRAWING CONTAINS INFORMATION THAT IS PROPRIETARY TO MOLEX INCORPORATED AND SHOULD NOT BE USED WITHOUT WRITTEN PERMISSION																																	



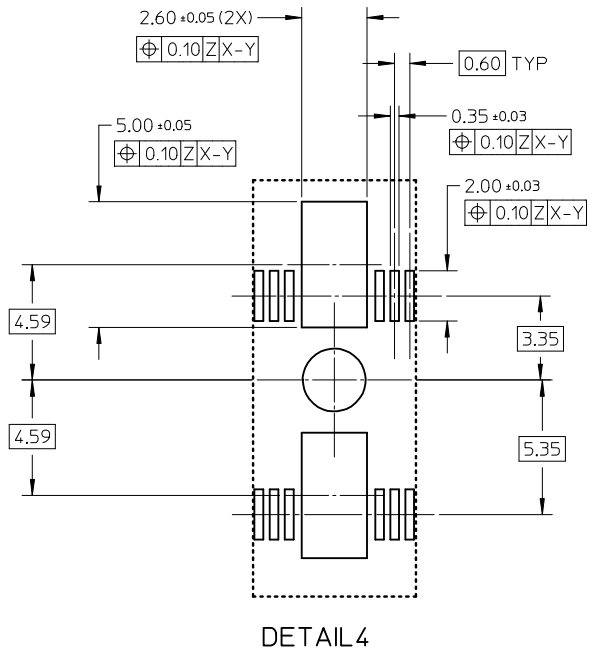
ADD PART NUMBER EC NO: S2014-0858 DRWN: JAKEEW 2013/12/26 CH'KD: CCTEH 2014/03/19 APPR: SHLENI 2014/03/20	QUALITY SYMBOLS $F_A = 0$ $F_G = 0$ $F_P = 0$	GENERAL TOLERANCES (UNLESS SPECIFIED)		DIMENSION STYLE MM ONLY	SCALE NTS	DESIGN UNITS METRIC	THIRD ANGLE PROJECTION		
		4 PLACES ± --- ± --- 3 PLACES ± --- ± --- 2 PLACES ± 0.13 ± --- 1 PLACE ± 0.25 ± --- 0 PLACE ± ±	mm INCH	DRAWN BY SHLENI	DATE 2005/03/14	TITLE MINI DIMM, 0.60MM PITCH 200/244 CKTS REVERSE R/A			
		ANGULAR ± 1 ° DRAFT WHERE APPLICABLE MUST REMAIN WITHIN DIMENSIONS		CHECKED BY MLONG	DATE 2005/03/31	molex DOCUMENT NO. SD-78001-003 SHEET NO. 2 OF 4			
		MATERIAL NO. SEE TABLE		APPROVED BY GGLEE	DATE 2005/03/31				

10 9 8 7 6 5 4 3 2 1

F
E
D
C
B
A




RECOMMENDED PCB LAYOUT



ADD PART NUMBER EC NO: S2014-0858 DRWN: JAKEENW 2013/12/26 CHKD: CCTEH 2014/03/19 APPR: SHLENI 2014/03/20 REV: B3	QUALITY SYMBOLS $F_{\sigma} = 0$ $F_{\sigma} = 0$ $F_{\sigma} = 0$	GENERAL TOLERANCES (UNLESS SPECIFIED)	DIMENSION STYLE MM ONLY	SCALE NTS	DESIGN UNITS METRIC	THIRD ANGLE PROJECTION																																				
		<table border="1"> <thead> <tr> <th></th> <th>mm</th> <th>INCH</th> </tr> </thead> <tbody> <tr> <td>4 PLACES</td> <td>± ---</td> <td>± ---</td> </tr> <tr> <td>3 PLACES</td> <td>± ---</td> <td>± ---</td> </tr> <tr> <td>2 PLACES</td> <td>± 0.13</td> <td>± ---</td> </tr> <tr> <td>1 PLACE</td> <td>± 0.25</td> <td>± ---</td> </tr> <tr> <td>0 PLACE</td> <td>±</td> <td>±</td> </tr> </tbody> </table>		mm	INCH	4 PLACES	± ---	± ---	3 PLACES	± ---	± ---	2 PLACES	± 0.13	± ---	1 PLACE	± 0.25	± ---	0 PLACE	±	±	<table border="1"> <thead> <tr> <th>DRAWN BY</th> <th>DATE</th> <th>TITLE</th> </tr> </thead> <tbody> <tr> <td>SHLENI</td> <td>2005/03/14</td> <td>MINI DIMM, 0.60MM PITCH</td> </tr> <tr> <td>CHECKED BY</td> <td>DATE</td> <td>200/244 CKTS</td> </tr> <tr> <td>MLONG</td> <td>2005/03/31</td> <td>REVERSE R/A</td> </tr> <tr> <td>APPROVED BY</td> <td>DATE</td> <td></td> </tr> <tr> <td>GGLEE</td> <td>2005/03/31</td> <td></td> </tr> </tbody> </table>	DRAWN BY	DATE	TITLE	SHLENI	2005/03/14	MINI DIMM, 0.60MM PITCH	CHECKED BY	DATE	200/244 CKTS	MLONG	2005/03/31	REVERSE R/A	APPROVED BY	DATE		GGLEE	2005/03/31				
		mm	INCH																																							
	4 PLACES	± ---	± ---																																							
3 PLACES	± ---	± ---																																								
2 PLACES	± 0.13	± ---																																								
1 PLACE	± 0.25	± ---																																								
0 PLACE	±	±																																								
DRAWN BY	DATE	TITLE																																								
SHLENI	2005/03/14	MINI DIMM, 0.60MM PITCH																																								
CHECKED BY	DATE	200/244 CKTS																																								
MLONG	2005/03/31	REVERSE R/A																																								
APPROVED BY	DATE																																									
GGLEE	2005/03/31																																									
	ANGULAR ± 1 ° DRAFT WHERE APPLICABLE MUST REMAIN WITHIN DIMENSIONS	MATERIAL NO. SEE TABLE	DOCUMENT NO. SD-78001-003	SHEET NO. 3 OF 4																																						

9 8 7 6 5 4 3 2 1

ASSEMBLY P/N	CKT SIZE "N"	MODULE CARD	VOLTAGE KEY	DIM 'R'	DIM 'E'	DIM 'J'	DIM 'L'	DIM 'A'	DIM 'S'	DIM 'T'	DIM 'U'	DIM 'V'	DIM 'C'	DIM 'D'	DIM 'B'	PACKAGING SPECIFICATION
78001-1200	200	DDR2	1.8 V	1.30	24.60	23.40	35.40	79.8	82.8	93.0	64.80	68.80	30.50	73.00	62.40	PK-78001-001
78001-2200		DDR	2.5 V	2.30												
78001-1244	244	DDR2	1.8 V	1.30	39.60	38.40	33.60	93.0	96.0	106.2	78.00	82.00	45.50	86.20	75.60	PK-78001-002
78001-1344		DDR3	1.5 V	2.30												PK-78001-003
78001-3244		DDR2	1.8 V	1.30												PK-78001-003
78001-3344		DDR3	1.5 V	2.30												PK-78001-003
78001-4244		DDR2	1.8 V	1.30												PK-78001-004
78001-4344		DDR3	1.5 V	2.30												PK-78001-004

ADD PART NUMBER EC NO: S2014-0858 DRWN: JAKEEW 2013/12/26 CHKD: CTEH 2014/03/19 APPR: SHLENI 2014/03/20	DESCRIPTION REV B3	QUALITY SYMBOLS	GENERAL TOLERANCES (UNLESS SPECIFIED)	DIMENSION STYLE MM ONLY	SCALE NTS	DESIGN UNITS METRIC	THIRD ANGLE PROJECTION	
		$F_A = 0$ $F_G = 0$ $F_P = 0$	mm INCH 4 PLACES ± --- ± --- 3 PLACES ± --- ± --- 2 PLACES ± 0.13 ± --- 1 PLACE ± 0.25 ± --- 0 PLACE ± ±	DRAWN BY SHLENI DATE 2005/03/14 CHECKED BY MLONG DATE 2005/03/31 APPROVED BY GGLEE DATE 2005/03/31	TITLE	MINI DIMM, 0.60MM PITCH 200/244 CKTS REVERSE R/A		
		ANGULAR ± 1 ° DRAFT WHERE APPLICABLE MUST REMAIN WITHIN DIMENSIONS	MATERIAL NO. SEE TABLE SIZE A3	DOCUMENT NO. SD-78001-003 SHEET NO. 4 OF 4				
		THIS DRAWING CONTAINS INFORMATION THAT IS PROPRIETARY TO MOLEX INCORPORATED AND SHOULD NOT BE USED WITHOUT WRITTEN PERMISSION						