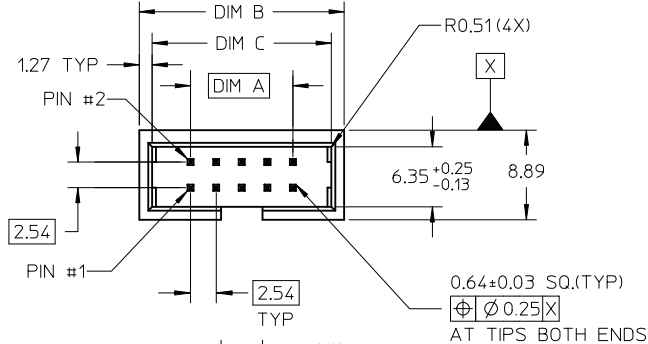


10 9 8 7 6 5 4 3 2 1

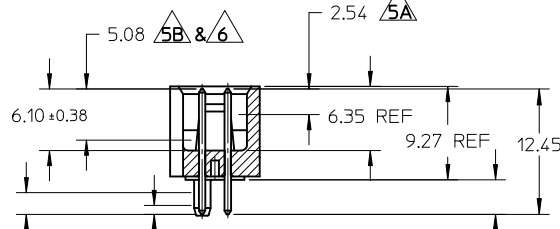
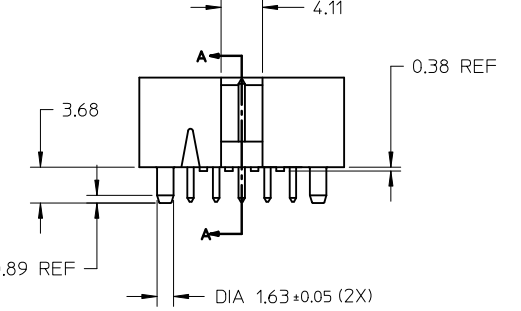


PART NUMBER LEGEND

87834 - * * 1 1

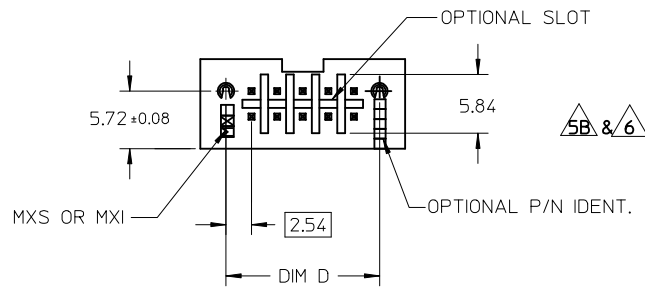
CKT SIZES

ASSEMBLY P/N	CKT SIZE	DIM A	DIM B	DIM C	DIM D
87834-0411	04	2.54	12.70	10.16	7.62
87834-0611	06	5.08	15.24	12.70	10.16
87834-0811	08	7.62	17.78	15.24	12.70
87834-1011	10	10.16	20.32	17.78	15.24
87834-1211	12	12.70	22.86	20.32	17.78
87834-1411	14	15.24	25.40	22.86	20.32
87834-1611	16	17.78	27.94	25.40	22.86
87834-1811	18	20.32	30.48	27.94	25.40
87834-2011	20	22.86	33.02	30.48	27.94
87834-2411	24	27.94	38.10	35.56	33.02
87834-2611	26	30.48	40.64	38.10	35.56
87834-3011	30	35.56	45.72	43.18	40.64
87834-3411	34	40.64	50.80	48.26	45.72
87834-4011	40	48.26	58.42	55.88	53.34
87834-4411	44	53.34	63.50	60.96	58.42
87834-5011	50	60.96	71.12	68.58	66.04
87834-5611	56	68.58	78.74	76.20	73.66
87834-6011	60	73.66	83.82	81.28	78.74
87834-6411	64	78.74	88.90	86.36	83.82

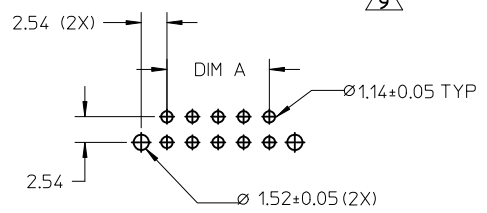
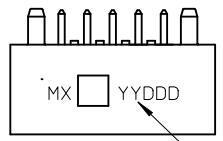


NOTES :

- MATERIAL :
HOUSING : NYLON 46 GLASS FILLED., UL94V-0, COLOR: BIEGE.
PIN : COPPER ALLOY.
- PIN PUSHOUT FORCE 0.91 KG MIN.
- PRODUCT SPECIFICATION PS-70246-100 APPLIES.
- WAFER TO BE FLAT WITHIN 0.03MM/CM
- DIMENSIONS FOR PLATING LOCATIONS : A - MEASURE POINT FOR THICKNESS.
B - MINIMUM COVERAGE.
- GOLD END OF PIN UNLESS OVERALL PLATED.
- FINISH :
0.13um MIN GOLD FLASH OVER 1.02um MIN.PD/NI
IN SELECTED AREA AND 2.5um MIN.TIN IN SELECTED AREA OVER 1.27um MIN NICKEL OVERALL
- FOR ILLUSTRATION PURPOSE A 10 CKT IS SHOWN.
- OPTIONAL LOCATION FOR MANUFACTURER/YEAR/DAY MARKING IF REQUIRED BY CUSTOMER



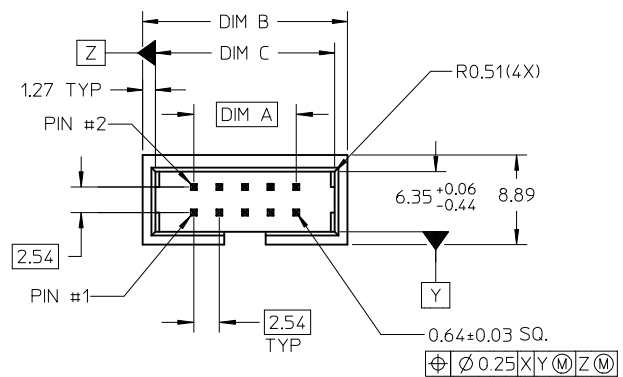
SECTION A-A



RECOMMENDED PCB PATTERN

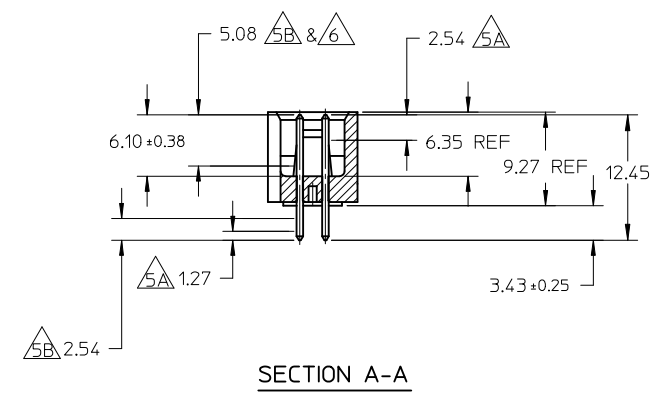
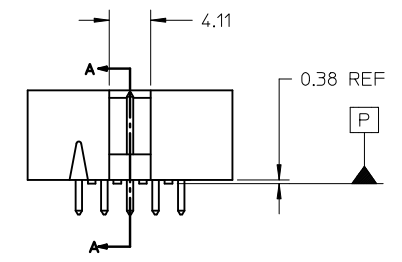
REMOVE 72CKT OPTION EC NO: S2012-0308 DR:WATSEE CHKD:SKANG APPR:MLONG 2011/10/31 2011/11/23 2012/01/10	QUALITY SYMBOLS ▽=0 ◻=0	GENERAL TOLERANCES (UNLESS SPECIFIED)		DIMENSION STYLE MM ONLY		SCALE	DESIGN UNITS	THIRD ANGLE PROJECTION			
			mm	INCH	DRAWN BY	DATE	NTS	METRIC	TITLE		
		4 PLACES	± ---	± ---	RSHAN	2003/11/21			SALES DRAWING, C-GRID SHROUDED W/SLOTTED & IN-LINE POLARIZATION PEG		
		3 PLACES	± ---	± ---	CHECKED BY	DATE			MOLEX INCORPORATED		
	2 PLACES	± 0.20	± ---	KCL ING	2003/12/05			MATERIAL NO. SKTOH 2003/12/06			
	1 PLACE	± ---	± ---	APPROVED BY	DATE			DOCUMENT NO. SD-87834-024			
	ANGULAR ± 3 °		DRAFT WHERE APPLICABLE MUST REMAIN WITHIN DIMENSIONS		SEE TABLE		SHEET NO. 1 OF 1		THIS DRAWING CONTAINS INFORMATION THAT IS PROPRIETARY TO MOLEX INCORPORATED AND SHOULD NOT BE USED WITHOUT WRITTEN PERMISSION		

9 8 7 6 5 4 3 2 1

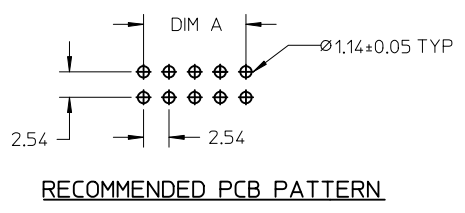
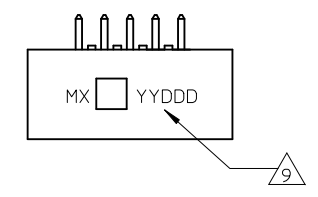
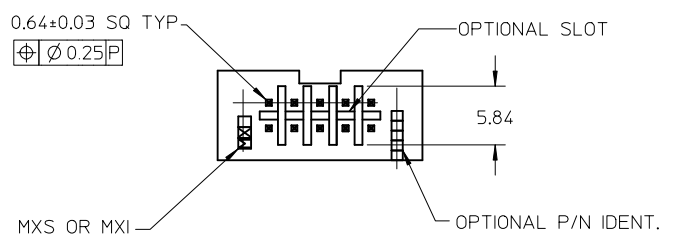


PART NUMBER LEGEND
87834 - * * * 1 9
CKT SIZES

ASSEMBLY P/N	CKT SIZE	DIM A	DIM B	DIM C
87834-0419	04	2.54	12.70	10.16
87834-0619	06	5.08	15.24	12.70
87834-0819	08	7.62	17.78	15.24
87834-1019	10	10.16	20.32	17.78
87834-1219	12	12.70	22.86	20.32
87834-1419	14	15.24	25.40	22.86
87834-1619	16	17.78	27.94	25.40
87834-2019	20	22.86	33.02	30.48
87834-2419	24	27.94	38.10	35.56
87834-2619	26	30.48	40.64	38.10
87834-3019	30	35.56	45.72	43.18
87834-3419	34	40.64	50.80	48.26
87834-4019	40	48.26	58.42	55.88
87834-4419	44	53.34	63.50	60.96
87834-5019	50	60.96	71.12	68.58
87834-5619	56	68.58	78.74	76.20
87834-6019	60	73.66	83.82	81.28
87834-6419	64	78.74	88.90	86.36



- NOTES :
- MATERIAL :
HOUSING : POLYESTER (PBT), UL94V-0, COLOR: BLACK.
PIN : COPPER ALLOY.
 - PIN PUSHOUT FORCE 0.91 KG MIN.
 - PRODUCT SPECIFICATION PS-70246-100 APPLIES.
 - WAFER TO BE FLAT WITHIN 0.03MM/CM
 - DIMENSIONS FOR PLATING LOCATIONS : A - MEASURE POINT FOR THICKNESS.
B - MINIMUM COVERAGE.
 - GOLD END OF PIN UNLESS OVERALL PLATED.
 - FINISH :
0.13um MIN. GOLD IN CONTACT AREA,
AND 1.9um MIN. TIN IN SOLDER AREA,
BOTH OVER 1.27um MIN. NICKEL OVERALL.
 - FOR ILLUSTRATION PURPOSE A 10 CKT IS SHOWN.
 - OPTIONAL LOCATION FOR MANUFACTURER/YEAR/DAY MARKING IF REQUIRED BY CUSTOMER



REV	DESCRIPTION	QUALITY SYMBOLS	GENERAL TOLERANCES (UNLESS SPECIFIED)		DIMENSION STYLE		SCALE	DESIGN UNITS	THIRD ANGLE PROJECTION		
			mm	INCH	MM ONLY	NTS	METRIC	⊙	□	PROJECTION	
A3	REMOVE 72CKT OPTION EC NO: S2012-0308 DRWNATSEE 2011/10/31 CHKD:SKANG 2011/11/23 APPR:MLONG 2012/01/10	▽=0 ∇=0	4 PLACES ± --- ± ---	3 PLACES ± --- ± ---	2 PLACES ± 0.20 ± ---	1 PLACE ± --- ± ---	ANGULAR ± 3 °	DRAWN BY RSHAN DATE 2003/11/20	CHECKED BY KCL ING DATE 2003/12/05	APPROVED BY SKTOH DATE 2003/12/06	TITLE C-GRID, SHROUDED WAFER WINDOW, W/O END SLOTS & POLARIZATION PEGS MOLEX INCORPORATED
			DRAFT WHERE APPLICABLE MUST REMAIN WITHIN DIMENSIONS		SIZE A3	THIS DRAWING CONTAINS INFORMATION THAT IS PROPRIETARY TO MOLEX INCORPORATED AND SHOULD NOT BE USED WITHOUT WRITTEN PERMISSION	MATERIAL NO. SEE TABLE	DOCUMENT NO. SD-87834-025	SHEET NO. 1 OF 1		