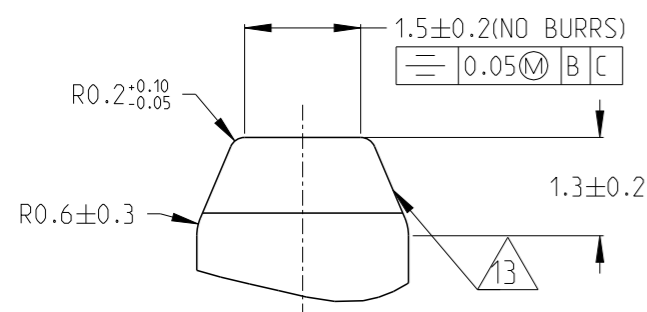
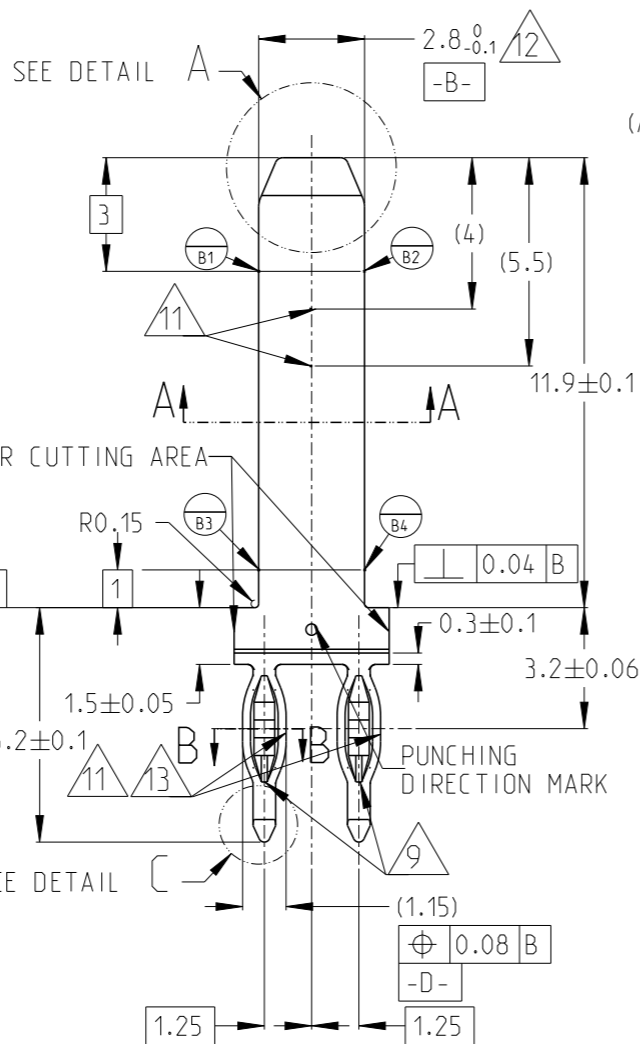


REVISIONS

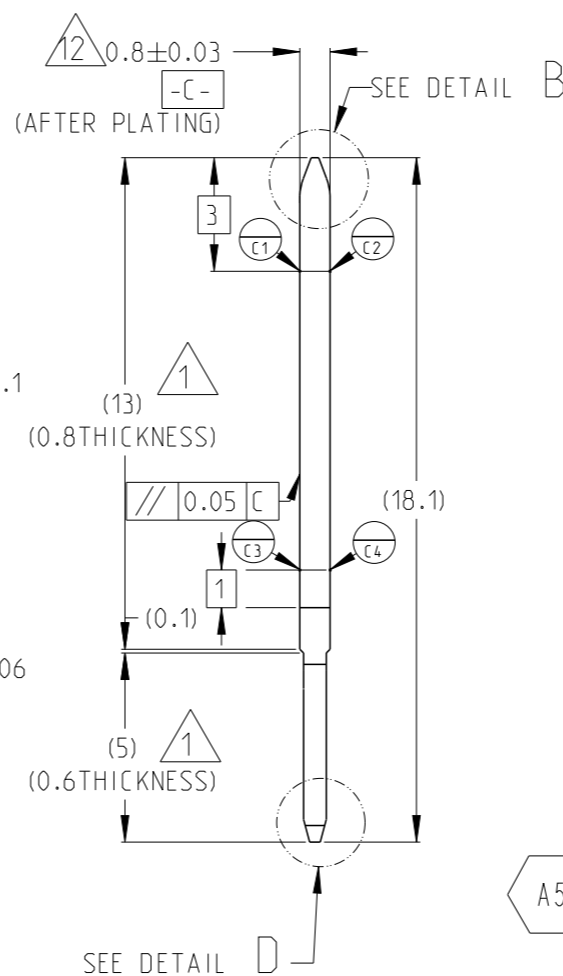
P	LTR	DESCRIPTION	DATE	DWN	APVD
A2	ECR-19-014228		11SEP19	H.S	W.W
A3	ECR-20-007451		27MAY20	H.S	W.W
A4	ECR-22-157165		01NOV22	Y.Z	E.J
A5	ECR-24-219607		04SEP24	Y.Z	E.J



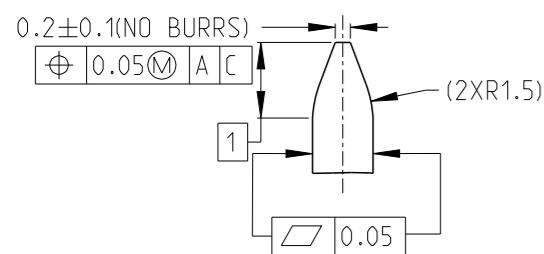
DETAIL A SCALE 10:1



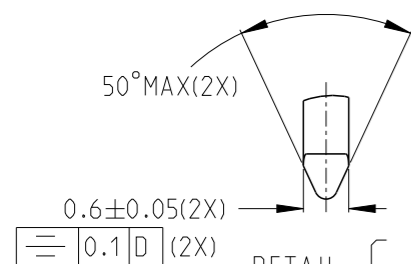
SEE DETAIL A  
 SEE DETAIL B  
 SEE DETAIL C  
 SEE DETAIL D  
 CUSTOMER CUTTING AREA  
 PUNCHING DIRECTION MARK



DETAIL B SCALE 10:1



DETAIL C SCALE 10:1

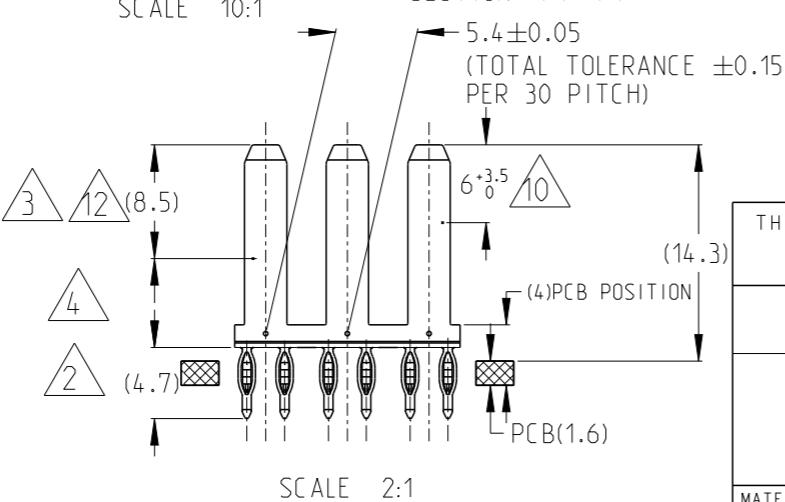
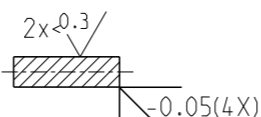


DETAIL D SCALE 10:1

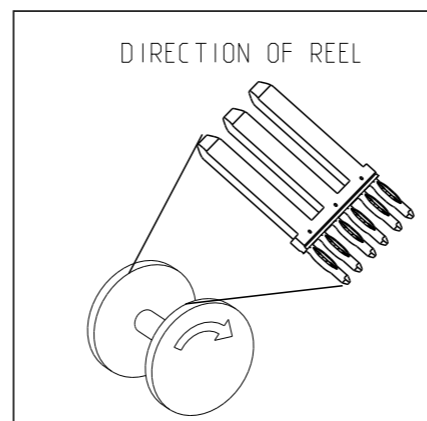
Ø1.18±0.04

SECTION B-B SCALE 10:1

SECTION A-A



SCALE 2:1



- 1 MATERIAL: CuSn6,H05.
- 2 0.35~0.75 um MATTE TIN OVER 1.27 TO 2.2 um Ni.
- 3 0.76~1.5 um BRIGHT TIN OVER 1.0 TO 2.0 um Ni.
- 4 0.1 Min um Sn OVER 0.5um MIN Ni.
- 5. PERMITTED BENDING OF FEED STRIP: 1000MM MAX. 25MM TWIST 90°/1000MM.
- 6. TOLERATION ACCORDING TO DIN ISO 8015.
- 7. ALL DIMENSIONS ARE AFTER PLATING
- 8. MAX. 3 CUT-OFF POINT PER COIL ALLOWED
- 9 PRESS-FIT AND PCB HOLE IS ACCORDING TO TE CONNECTIVITY 108-90807. PCB HOLE PLATING DIMENSION AND LAYERS IS ACCORDING TO TE CONNECTIVITY 108-90807.
- A5 10 PROTECTIVE AGENT ON MATING SIDE,NOT PERMITTED ON PRESS-FIT ZONE.
- 11 MEASUREMENT POINTS OF PLATING-LAYER-THICKNESS. THE SAME POSITIONS FOR ALL SIDES AROUND THE PIN.
- 12 FOR MATING AREA.
- 13 NO BURRS FLASH PERMITTED.
- 14 MINMUM NUMBER OF PCB LAYERS:4.

PART NO.	FIHISH	DESCRIPTION
1-2323889-2	2 3 4	AFTER PLATING
2323889-3	2 3 4	AFTER PLATING, DIFFERENT PACKAGE FOR BOSCH (NORTH AMERICA)
2323889-2	2 3 4	AFTER PLATING

THIS DRAWING IS A CONTROLLED DOCUMENT.

DIMENSIONS:	TOLERANCES UNLESS OTHERWISE SPECIFIED:
mm	
0 PLC	±
1 PLC	±0.1
2 PLC	±0.01
3 PLC	±0.001
4 PLC	±0.0001
ANGLES	±
MATERIAL	FINISH
1	-

DWN	G.YAN	05JUN2018
CHK	W.WU	06JUN2018
APVD	L.YIN	08JUN2018
PRODUCT SPEC		
APPLICATION SPEC		
WEIGHT		
CUSTOMER DRAWING		

NAME		MS-B TAB PIN 2.80 X 0.80	
SIZE	CAGE CODE	DRAWING NO	RESTRICTED TO
A3	00779	C=2323889	-
SCALE		SHEET	REV
5:1		1 OF 1	A5

