



319-065
Composite Self-Locking Rotatable Coupling
 Swing-Arm Strain Relief with
 Composite EMI/RFI Shield Sock & Optional Split Ring

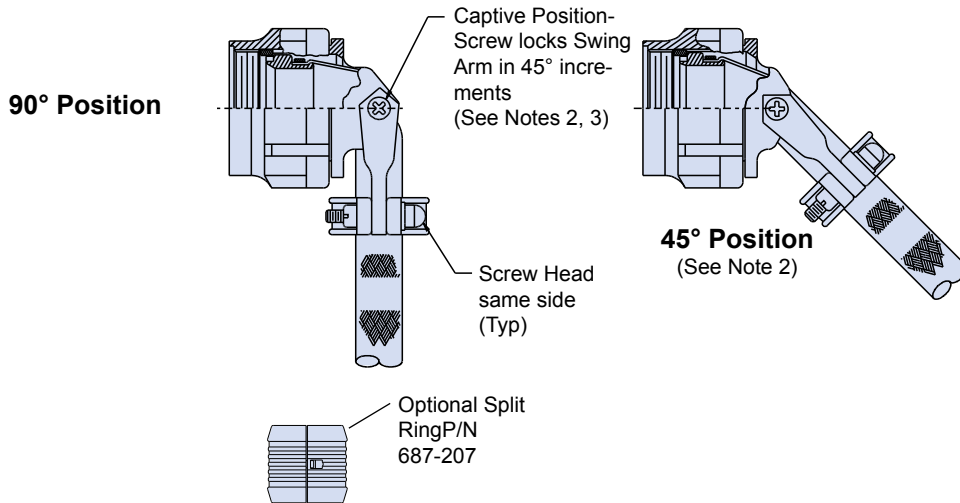
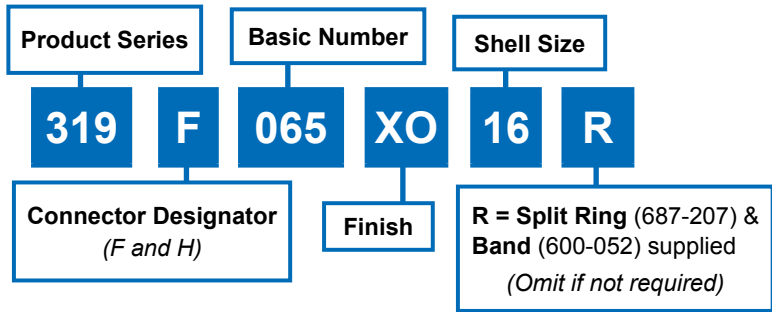
**CONNECTOR
 DESIGNATOR**

MIL-DTL-38999 Series I, II (F)
 MIL-DTL-38999 Series III and IV (H)

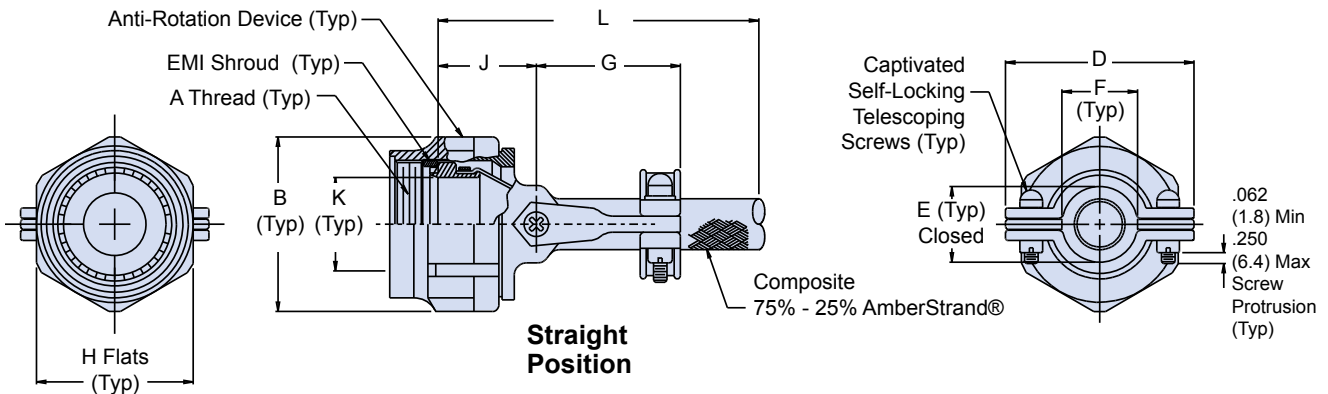
F-H

SELF-LOCKING

**ROTATABLE
 COUPLING**



U.S. PATENT NO. 6419519



H

319-065
Composite Self-Locking Rotatable Coupling
Swing-Arm Strain Relief with
Composite EMI/RFI Shield Sock & Optional Split Ring



TABLE II: FINISHES	
Symbol	Finish
XB	Composite Material, No Plating, Color Black, Brass Interface Shroud and Adapter - Nickel Plated
XMT	Composite Material, No Plating, Color Black and Brown, Brass Interface Shroud and Adapter - Ni-PTFE 1000 Hour Grey™ (Nickel-Fluorocarbon Polymer)
XN	Composite Material, No Plating, Color Black and Brown, Brass Interface Shroud and Adapter - Selectively Cadmium Plated
XO	Composite Material, No Plating, Color Black and Brown, Brass Interface Shroud and Adapter - Nickel Plated

TABLE III: CONNECTOR SHELL SIZE ORDER NUMBER											
Shell Size for Connector Designator		B Dia	D	E	F	G	H Flats		J	K	L
F	H	Max	Max	±.06 (1.5)	Min	Max	Max	Min	±.06 (1.5)	Ref	Min
08	09	.812 (20.6)	.980 (24.9)	.265 (6.7)	.220 (5.9)	1.060 (26.9)	.750 (19.1)	.736 (18.7)	.940 (23.9)	.265 (6.7)	7.000 (177.8)
10	11	.938 (23.8)	1.050 (26.7)	.310 (7.9)	.270 (6.9)	1.090 (27.7)	.875 (22.2)	.860 (21.8)	.970 (24.6)	.370 (9.4)	7.000 (177.8)
12	13	1.125 (28.6)	1.200 (30.5)	.390 (9.9)	.350 (8.9)	1.180 (30.0)	1.000 (25.4)	.980 (24.9)	1.030 (26.2)	.506 (12.9)	7.000 (177.8)
14	15	1.250 (31.8)	1.300 (33.0)	.506 (12.9)	.470 (11.9)	1.240 (31.5)	1.125 (28.6)	1.100 (27.9)	1.090 (27.7)	.580 (14.7)	9.000 (228.6)
16	17	1.375 (34.9)	1.440 (36.6)	.591 (15.0)	.550 (14.0)	1.320 (33.5)	1.250 (31.8)	1.224 (31.1)	1.120 (28.4)	.705 (17.9)	11.000 (279.4)
18	19	1.500 (38.1)	1.560 (39.6)	.661 (16.8)	.620 (15.7)	1.390 (35.3)	1.375 (34.9)	1.469 (37.3)	1.150 (29.2)	.784 (19.9)	11.000 (279.4)
20	21	1.625 (41.3)	1.690 (42.9)	.744 (18.9)	.700 (17.8)	1.550 (39.4)	1.500 (38.1)	1.500 (38.1)	1.180 (30.0)	.909 (23.1)	11.000 (279.4)
22	23	1.750 (44.5)	1.770 (45.0)	.826 (21.0)	.780 (19.8)	1.550 (39.4)	1.625 (41.3)	1.581 (40.2)	1.250 (31.8)	1.034 (26.3)	11.000 (279.4)
24	25	1.875 (47.6)	1.890 (48.0)	.896 (22.8)	.850 (21.6)	1.610 (40.9)	1.750 (44.5)	1.960 (49.8)	1.280 (32.5)	1.149 (29.2)	11.000 (279.4)

Consult factory for additional entry sizes available.

APPLICATION NOTES

- Glenair series 600 Backshell assembly tools are recommended for assembly and installation.
- Swing Arm Locks in 45° increments—Sizes 08 thru 24, additional positioning increments are manufacturer's option.
- Captive Screw remains engaged to the body when positioning the Arm. When tightened, the Screw shall not protrude into the inside surfaces.
- Fits Connector Designators: MIL-DTL-38999 Series I, II (F), MIL-DTL-38999 Series III and IV (H), MIL-DTL-5015 (A), and MIL-DTL-26482 (A)
- Metric Dimensions (mm) are indicated in parentheses.

