

CUC-V14-F1PBK-S/R4O:VPE10 - Panel mounting frames



1418873

<https://www.phoenixcontact.com/us/products/1418873>

Please be informed that the data shown in this PDF document is generated from our online catalog. Please find the complete data in the user documentation. Our general terms of use for downloads are valid.



RJ45 panel mounting frame, degree of protection: IP67, for push/pull interlocking, plastic, for PCB connection, for square mounting cutout, with seal, without mounting screws, unit pack: 10 pcs.

Commercial data

Item number	1418873
Packing unit	10 pc
Minimum order quantity	1 pc
Note	Made to order (non-returnable)
Product key	ABNODC
GTIN	4055626155319
Weight per piece (including packing)	3.73 g
Weight per piece (excluding packing)	3.69 g
Country of origin	DE

CUC-V14-F1PBK-S/R4O:VPE10 - Panel mounting frames



1418873

<https://www.phoenixcontact.com/us/products/1418873>

Technical data

Notes

General	This product corresponds to the PROFINET Cabling and Interconnection Technology Guideline for PROFINET regulations, version 2.00, order no: 2.252, Chapter 8.2 Connectors for Outside Environment (Balanced cabling) and chapter 13 Application specific Cabling and Interconnection Technology (AIDA)
---------	--

Product properties

Product type	Panel mounting frame
Application	RJ45 PCB connection
Type	RJ45
Number of positions	8
Connection profile	RJ45
Type	RJ45

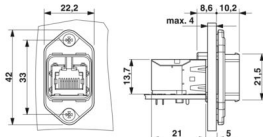
Insulation characteristics

Degree of pollution	2
---------------------	---

Electrical properties

Transmission medium	Copper
---------------------	--------

Dimensions

Dimensional drawing	
Width	22.2 mm
Height	42 mm
Length	18.8 mm

Material specifications

Color	black
Material	Plastic
Flammability rating according to UL 94	V0
Seal material	NBR NBR
Housing material	Plastic
Housing surface material	PA, light gray
Contact surface material	Au/Ni
Contact carrier material	Polyester GF

Environmental and real-life conditions

CUC-V14-F1PBK-S/R4O:VPE10 - Panel mounting frames



1418873

<https://www.phoenixcontact.com/us/products/1418873>

Ambient conditions

Degree of protection	IP65/IP67
Ambient temperature (operation)	-40 °C ... 70 °C

CUC-V14-F1PBK-S/R40:VPE10 - Panel mounting frames

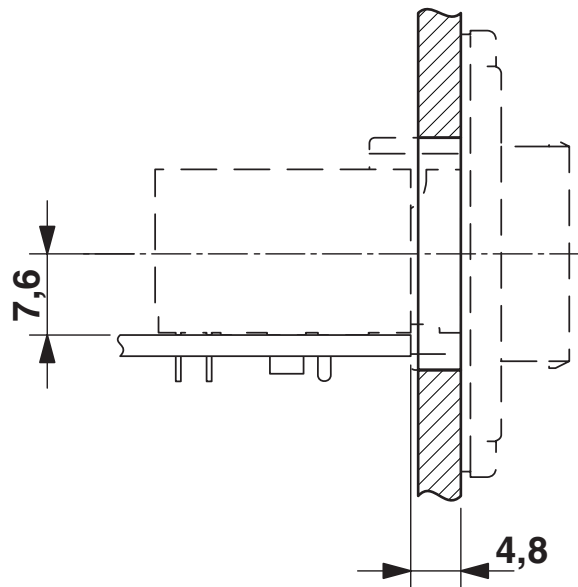


1418873

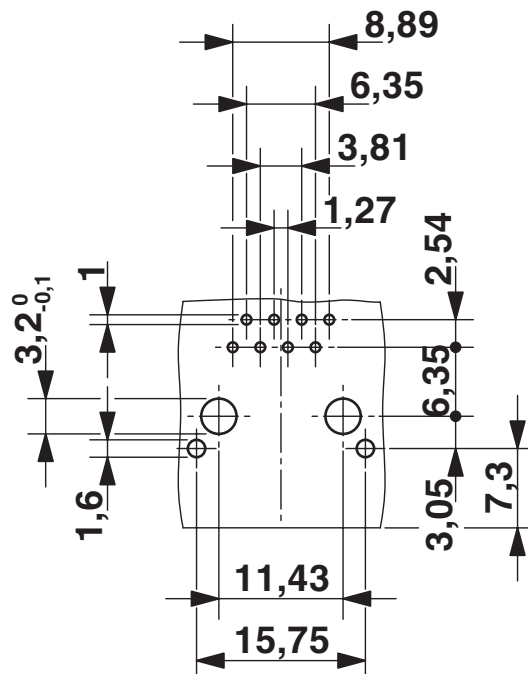
<https://www.phoenixcontact.com/us/products/1418873>

Drawings

Dimensional drawing



Drilling plan/solder pad geometry



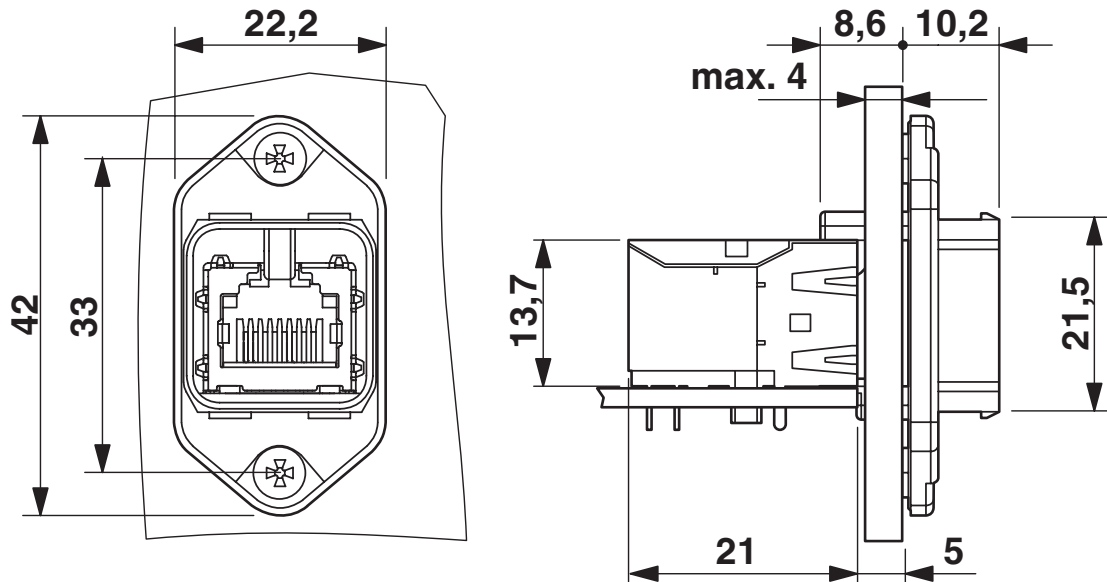
Drilling diagram

CUC-V14-F1PBK-S/R40:VPE10 - Panel mounting frames

1418873

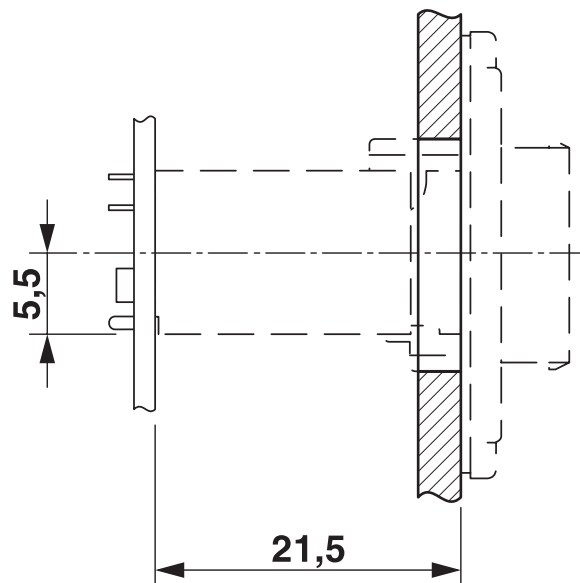
<https://www.phoenixcontact.com/us/products/1418873>

Dimensional drawing



Push-Pull panel mounting frame RJ45

Dimensional drawing

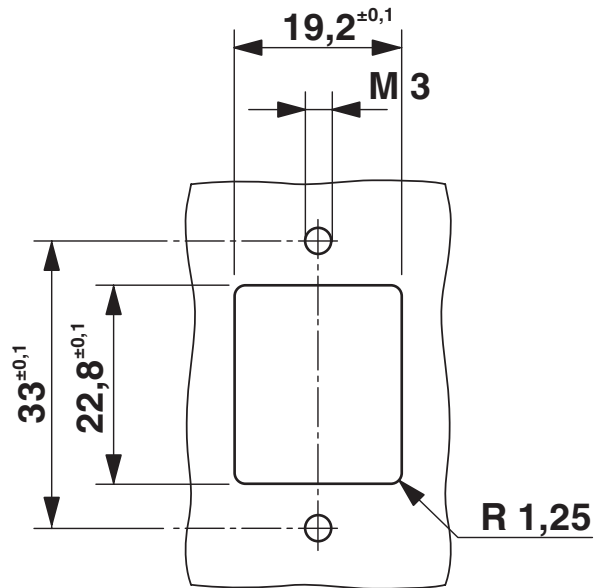


CUC-V14-F1PBK-S/R40:VPE10 - Panel mounting frames

1418873

<https://www.phoenixcontact.com/us/products/1418873>

Dimensional drawing



Mounting cutout

CUC-V14-F1PBK-S/R4O:VPE10 - Panel mounting frames



1418873

<https://www.phoenixcontact.com/us/products/1418873>

Classifications

ECLASS

ECLASS-11.0	27371392
ECLASS-12.0	27371392
ECLASS-13.0	27440210

ETIM

ETIM 9.0	EC002498
----------	----------

UNSPSC

UNSPSC 21.0	39121100
-------------	----------

CUC-V14-F1PBK-S/R4O:VPE10 - Panel mounting frames



1418873

<https://www.phoenixcontact.com/us/products/1418873>

Environmental product compliance

EU RoHS

Fulfills EU RoHS substance requirements	Yes, No exemptions
---	--------------------

China RoHS

Environment friendly use period (EFUP)	EFUP-E
	No hazardous substances above the limits

EU REACH SVHC

REACH candidate substance (CAS No.)	No substance above 0.1 wt%
-------------------------------------	----------------------------

CUC-V14-F1PBK-S/R4O:VPE10 - Panel mounting frames



1418873

<https://www.phoenixcontact.com/us/products/1418873>

Accessories

VS-08-BU-RJ45-6/LH-1 - RJ45 PCB connectors

1653087

<https://www.phoenixcontact.com/us/products/1653087>

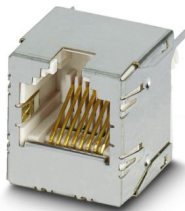


RJ45 PCB connectors, design: RJ45, degree of protection: IP20, number of positions: 8, 1 Gbps, CAT5 (IEC 11801:2002), material: Metal, connection method: THT wave, cable outlet: straight

VS-08-BU-RJ45-6/LV-1 - RJ45 PCB connectors

1653090

<https://www.phoenixcontact.com/us/products/1653090>



RJ45 PCB connectors, design: RJ45, degree of protection: IP20, number of positions: 8, material: Metal, connection method: THT wave, cable outlet: straight

Phoenix Contact 2024 © - all rights reserved

<https://www.phoenixcontact.com>

Phoenix Contact USA
586 Fulling Mill Road
Middletown, PA 17057, United States
(+717) 944-1300
info@phoenixcon.com