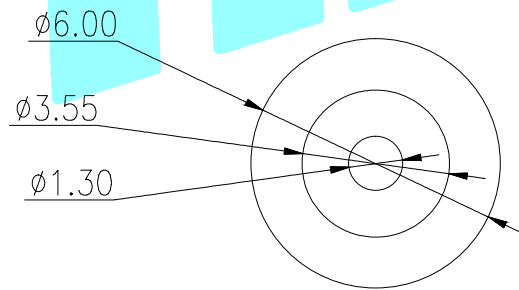
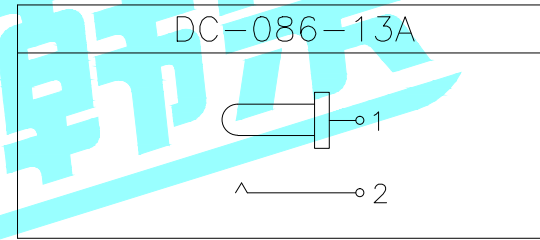
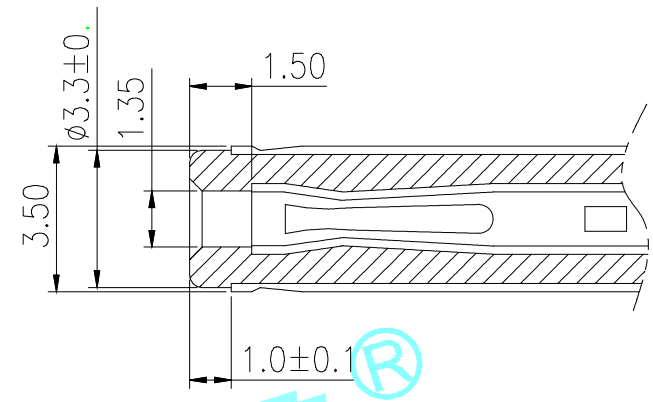
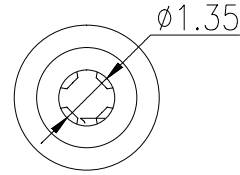
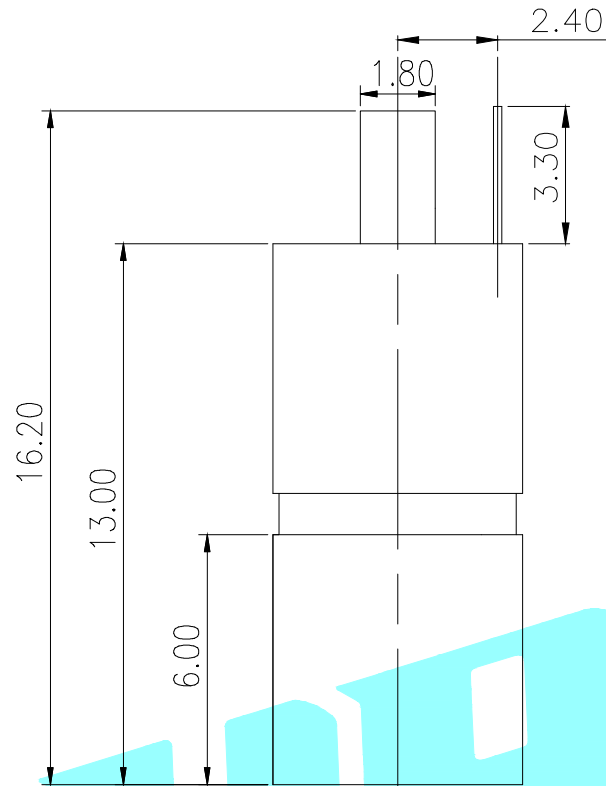


ROHS



Rating: 5A 30V DC  
 Contact Resistance: 30 mΩ Max.  
 Operating force: 3-20N  
 Operating Life: 5,000cycles

②	Terminal	—	1	PA	Black	—
①	Housing	—	2	BARSS	Sn Plating	—
ITEM	PART NAME	TER'NO.	QTY.	MATERIAL	FINISHING	REMARK

APPROVALS		DATE		 ELECTRONICS CO.,LTD				
DRAWN	LIUCAN	2020.12.07						
CHECKED				TITLE: PHONE JACKS				
APPROVALS				PART NO. DC-086-13A				
TOLERANCES ARE		30~以上	±0.30	ANGLE	UNIT: mm	SCALE: 1:1	PROJ:	
		10~30	±0.20					
		5~10	±0.15					
		~ 5	±0.10					
ECN NO.	REV.	DATE.	DESCRIPTION.	CHANGE.	CHECK.	APPRO.	DRAWING NO.	SHEET 1 OF 1

_____	A	_____	NEW	_____	_____	_____
ECN NO.	REV.	DATE.	DESCRIPTION.	CHANGE.	CHECK.	APPRO.