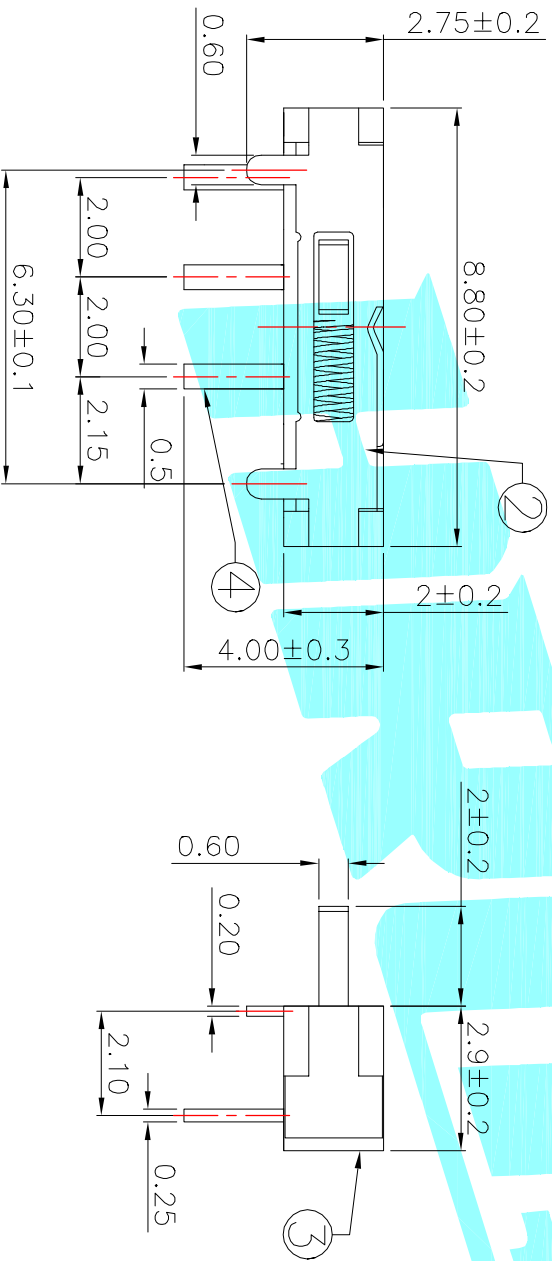


PCB Layout (Pattern side)

Circuit Diagram



NOTE: Operating force: 150 ± 100 gf

ITEM	PART NAME	TER'NO.	QTY.	MATERIAL	FINISHING	REMARK
⑤	Spring	—	1	SUS	Natural	—
⑤	Contact Spring	—	1	Beryllium copper	Ag Plated	—
④	Terminal	—	3	Brass Strip	Ag Plated	—
③	Base	—	1	NYLON	Black	—
②	Cover	—	1	SUS	Natural	—
①	KNOB	—	1	NYLON	White	—

APPROVALS		DATE	TITLE:	
DRAWN	J.X.Zhang	2013/9/25	TOGGLE SWITCHES	
CHECKED			ELECTRONICS CO.,LTD	
APPROVALS			HROELECTRONICS®	

ECN NO.	REV.	DATE.	DESCRIPTION.	CHANGE.	CHECK.	APPRO.	TOLERANCES ARE	ANGLE	UNIT:	SCALE:	PROJ:	SHEET
	A		NEW				30±0.15	±0.30	mm	1:1	PROJ: 1286L-F2	1 OF 1
							10~30	±0.20				
							5~10	±0.15				
							~5	±0.10				