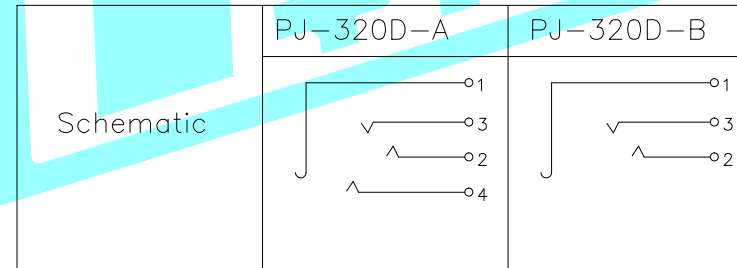
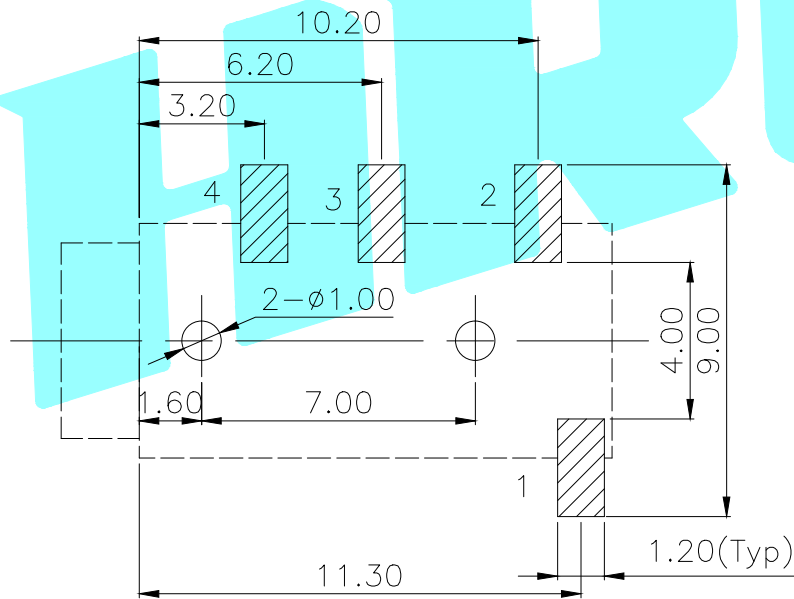


P.C.B Layout (TOP view)



Rating:0.5A 30V DC  
 Contact Resistance:100 mΩ Max.  
 Operating temperature:-20℃~70℃  
 Operating force:3-20N  
 Operating Life:5,000cycles

②	Terminal	4	Phosphor bronze	Au Plating		
①	Housing	1	Nylon	Black		
ITEM	PART NAME	TER'NO.	QTY.	MATERIAL	FINISHING	REMARK
APPROVALS		DATE		 ELECTRONICS CO.,LTD TITLE: PHONE JACKS PART NO. PJ-320D		
DRAWN	J.X.Zhang	2016/5/3				
CHECKED						
APPROVALS				UNIT: mm	SCALE: 1:1	PROJ:
TOLERANCES ARE		30~以上	±0.30	ANGLE	DRAWING NO.	SHEET 1 OF 1
		10~30	±0.20			
		5~10	±0.15			
		~ 5	±0.10			

_____	B	_____				
_____	A	_____				
ECN NO.	REV.	DATE.	DESCRIPTION.	CHANGE.	CHECK.	APPRO.