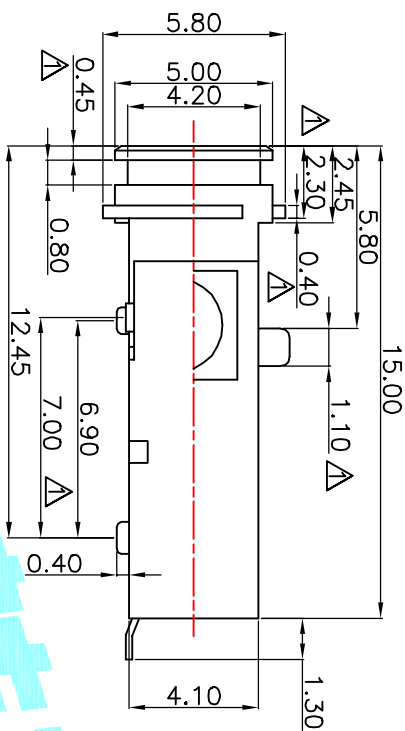
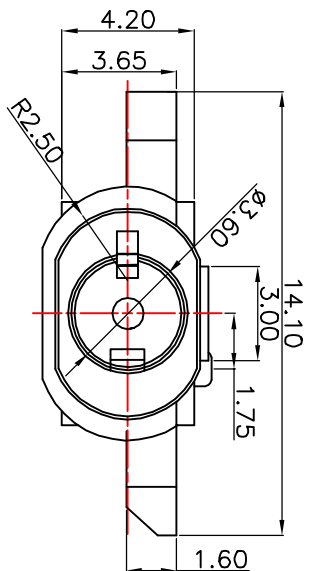
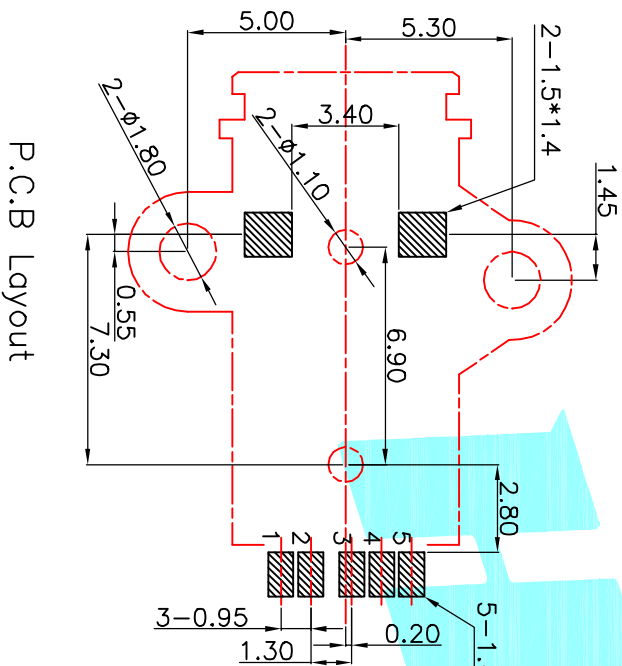


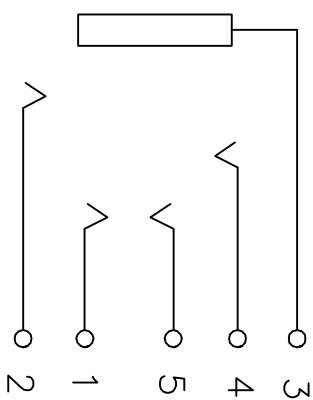
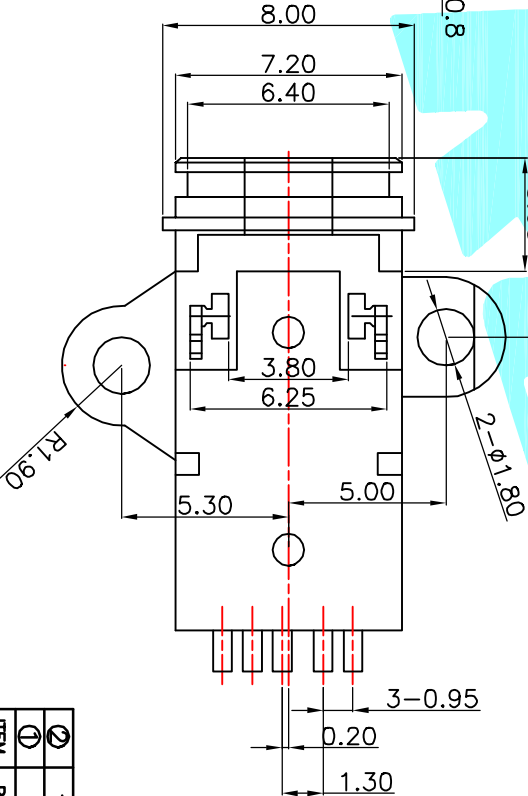
Water Resistance: IP-X8



Rating: 0.5A 30V DC
 Contact Resistance: 100 mΩ Max.
 Operating temperature: -20°C ~ 70°C
 Operating force: 3-20N
 Operating Life: 5,000 cycles



P.C.B. Layout



CIRCUIT DIAGRAM

ECON NO.	REV.	DATE.	DESCRIPTION.	CHANGE.	CHECK.	APPRO.
	A		NEW			
	B					

② Terminal	5	Phosphor bronze	Au Plating			
① Housing	1	Nylon	Black			
ITEM	PART NAME	TER'NO.	QTY.	MATERIAL	FINISHING	REMARK
APPROVALS		DATE				
DRAWN		xu qi feng	2014.11.26	TITLE: PHONE JACKS		
CHECKED				PART NO. PJ-609		
APPROVALS				SCALE: 1:1		
TOLERANCES ARE		30~0.15	±0.30	ANGLE	UNIT: mm	PROJ. 4
		10~0.30	±0.20			
		5~0.10	±0.15	±2'	DRAWING NO.	SHEET 1 OF 1
		~5	±0.10			

HAPO
 ELECTRONICS CO., LTD