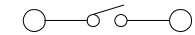
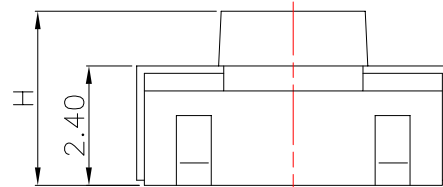
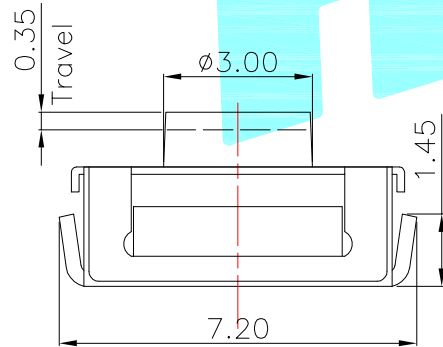


Typical Specifications :

1. Rating : DC 12V 50mA
2. Insulation resistance:  $\geq 100M\Omega$
3. Withstand voltage: AC 500V/1min
4. Life: 100,000 Cycles Min.



Circuit Diagram



NO.1	
PART NO	H
D	3.5
F	5

NO.2	
PART NO	vigor
3	180±30
4	250±30
5	350±50

NO.3-NO.4	
PART NO	NOTE
01~99	SERIAL NUMBER

⑤	Terminal	—	4	Phosphor Bronze	Plating silver	—
④	Contact	—	1	F.Ag/SUS	—	—
③	Base	—	1	PA46	Black	—
②	Cover	—	1	SPCC	Plating Sn	—
①	Keystoke	—	1	Silica gel	White	—
ITEM	PART NAME	TER'NO.	QTY.	MATERIAL	FINISHING	REMARK

APPROVALS			DATE		 ELECTRONICS CO.,LTD		
DRAWN	xu qi feng		2014.10.28		TITLE:	TACT SWITCHS	
CHECKED					PART NO.	K2-1156UP-□□□W-□□	
APPROVALS					UNIT: mm	SCALE: 1:1	PROJ:
TOLERANCES ARE			30~以上	±0.30	ANGLE	DRAWING NO.	SHEET 1 OF 1
			10~30	±0.20			
			5~10	±0.15			
			~ 5	±0.10			
				±2'			

ECN NO.	REV.	DATE.	DESCRIPTION.	CHANGE.	CHECK.	APPRO.
	B		修改按柄材质为蓝色硅胶20180407			
	A		修改型号为单弹20160927			
			NEW			