

isc Silicon NPN Power Transistor
BD335
DESCRIPTION

- High DC Current Gain
- Complement to type BD336
- Minimum Lot-to-Lot variations for robust device performance and reliable operation

APPLICATIONS

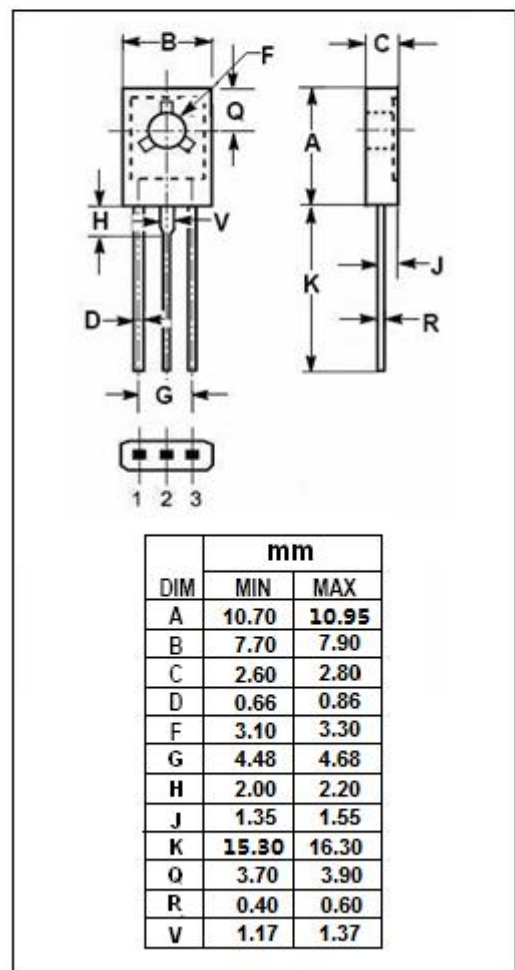
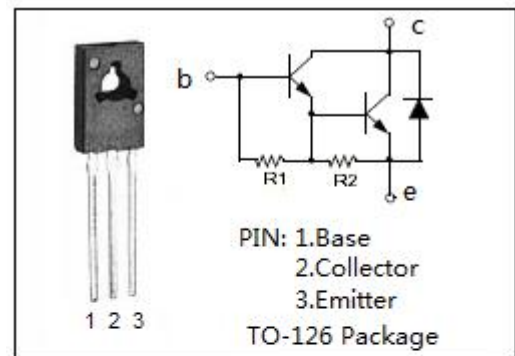
- NPN epitaxial base transistors in monolithic Darlington circuit for audio output stages and general amplifier and switching applications.

ABSOLUTE MAXIMUM RATINGS(T_a=25°C)

SYMBOL	PARAMETER	VALUE	UNIT
V _{CBO}	Collector-Base Voltage	100	V
V _{CEO}	Collector-Emitter Voltage	100	V
V _{EB0}	Emitter-Base Voltage	6	V
I _C	Collector Current-Continuous	6	A
I _{BM}	Base Current-Peak	0.15	A
P _C	Collector Power Dissipation @ T _C =25°C	60	W
T _J	Junction Temperature	150	°C
T _{stg}	Storage Temperature Range	-65~150	°C

THERMAL CHARACTERISTICS

SYMBOL	PARAMETER	MAX	UNIT
R _{th j-c}	Thermal Resistance, Junction to Case	2.08	°C/W
R _{th j-a}	Thermal Resistance, Junction to Ambient	100	°C/W



isc Silicon NPN Power Transistor

BD335

ELECTRICAL CHARACTERISTICS

T_C=25°C unless otherwise specified

SYMBOL	PARAMETER	CONDITIONS	MIN	TYP.	MAX	UNIT
V _{CE0(SUS)}	Collector-Emitter Sustaining Voltage	I _C = 10mA; I _B = 0	100			V
V _{CE(sat)}	Collector-Emitter Saturation Voltage	I _C = 3A; I _B = 12mA			2.0	V
V _{BE(on)}	Base-Emitter On Voltage	I _C = 3A; V _{CE} = 3V			2.5	V
I _{CBO}	Collector Cutoff Current	V _{CB} = 100V; I _E = 0 V _{CB} = 100V; I _E = 0, T _C =150°C			0.1 1.0	mA
I _{EBO}	Emitter Cutoff Current	V _{EB} = 5V; I _C = 0			5	mA
h _{FE-1} *	DC Current Gain	I _C = 0.5A; V _{CE} = 3V		1900		
h _{FE-2} *	DC Current Gain	I _C = 3A; V _{CE} =3V	750			
h _{FE-3} *	DC Current Gain	I _C = 6A; V _{CE} = 3V		3000		

*:Measured under pulse conditions: t_p<300us, σ<2%**NOTICE:**

ISC reserves the rights to make changes of the content herein the datasheet at any time without notification. The information contained herein is presented only as a guide for the applications of our products.

ISC products are intended for usage in general electronic equipment. The products are not designed for use in equipment which require specialized quality and/or reliability, or in equipment which could have applications in hazardous environments, aerospace industry, or medical field. Please contact us if you intend our products to be used in these special applications.

ISC makes no warranty or guarantee regarding the suitability of its products for any particular purpose, nor does ISC assume any liability arising from the application or use of any products, and specifically disclaims any and all liability, including without limitation special, consequential or incidental damages.