

Ultrafast Recovery Diode
EPU6006
FEATURES

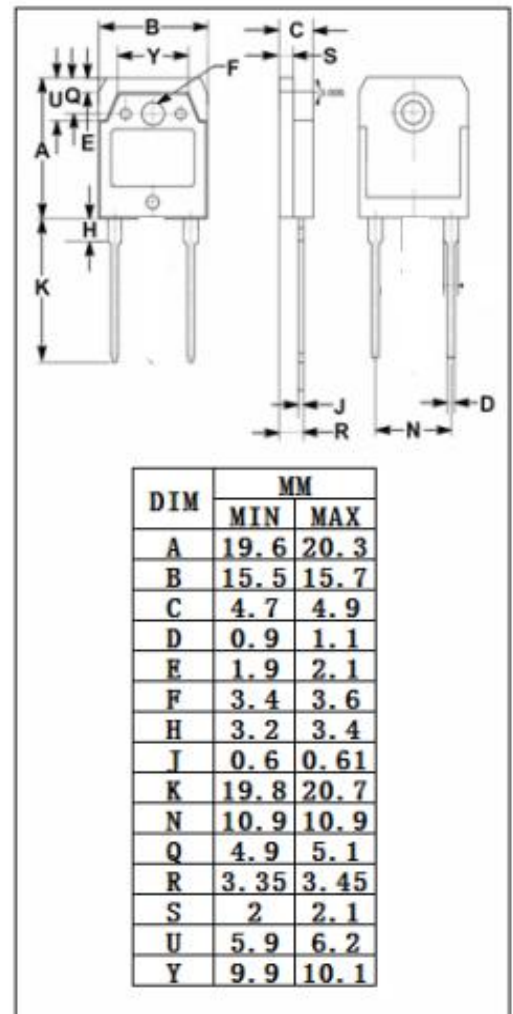
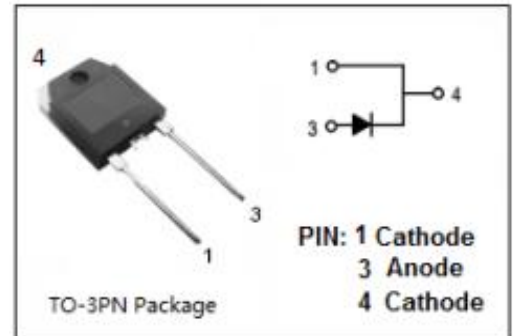
- Ultrafast recovery time
- Low forward voltage drop
- High efficiency
- Minimum Lot-to-Lot variations for robust device performance and reliable operation

APPLICATIONS

- These devices are intended for use in the output rectification stage of SMPS, welding, UPS, DC/DC converters as well as freewheeling diodes in low voltage inverters and chopper motor drives.

ABSOLUTE MAXIMUM RATINGS(T_a=25°C)

SYMBOL	PARAMETER	VALUE	UNIT
V _{RRM}	Peak Repetitive Reverse Voltage	600	V
I _{F(AV)}	Average Rectified Forward Current	60	A
I _{FSM}	Nonrepetitive Peak Surge Current t=8.3ms,sine wave	600	A
T _J	Junction Temperature	-40~150	°C
T _{stg}	Storage Temperature Range	-40~150	°C



Ultrafast Recovery Diode

EPU6006

THERMAL CHARACTERISTICS

SYMBOL	PARAMETER	MAX	UNIT
$R_{th\ j-c}$	Thermal Resistance, Junction to Case	0.65	°C/W

ELECTRICAL CHARACTERISTICS ($T_a=25^\circ\text{C}$) (Pulse Test: Pulse Width=300 μ s, Duty Cycle \leq 2%)

SYMBOL	PARAMETER	CONDITIONS	MAX	UNIT
V_F	Maximum Instantaneous Forward Voltage	$I_F=60\text{A}; T_j=25^\circ\text{C}$ $I_F=60\text{A}; T_j=150^\circ\text{C}$	1.5 1.3	V
I_R	Maximum Instantaneous Reverse Current	$V_R=600\text{V}; T_j=25^\circ\text{C}$ $V_R=600\text{V}; T_j=150^\circ\text{C}$	30 200	μ A
t_{rr}	Maximum Reverse Recovery Time	$I_F=0.5\text{A}; I_R=1\text{A}; I_{rr}=0.25\text{A}$	60	ns

NOTICE:

ISC reserves the rights to make changes of the content herein the datasheet at any time without notification. The information contained herein is presented only as a guide for the applications of our products.

ISC products are intended for usage in general electronic equipment. The products are not designed for use in equipment which require specialized quality and/or reliability, or in equipment which could have applications in hazardous environments, aerospace industry, or medical field. Please contact us if you intend our products to be used in these special applications.

ISC makes no warranty or guarantee regarding the suitability of its products for any particular purpose, nor does ISC assume any liability arising from the application or use of any products, and specifically disclaims any and all liability, including without limitation special, consequential or incidental damages.