



# P-DUKE POWER

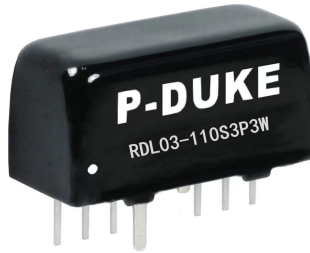
## RDL03W Series

DC-DC Converter  
Up to 3 Watts

**3**  
YEARS  
WARRANTY

ROHS  
COMPLIANT

REACH  
COMPLIANT



Railway



Automation



Datacom



IPC



Industry



Measurement



Telecom



Automobile



Boat



Charger



Medical



PV

UL<sup>®</sup> CB CE

**3000**  
VDC  
Isolation  
Voltage

**4 : 1**  
Wide  
Input  
Range

**LOW**  
Standby  
Power

**NO**  
Min. Load  
Required

REMOTE  
**ON**  
**OFF**

**OCP**

**SCP**

### PART NUMBER STRUCTURE

Series Name	Input Voltage (VDC)	Output Quantity	Output Voltage (VDC)	Input Range	Operating Ambient Temperature Options
RDL03 - <b>48</b> <b>S</b> <b>05</b> <b>W</b> - <b>M3</b>	24:9~36 48:18~75 110:43~160	S:Single	3P3:3.3 05:5 09:9 12:12 15:15 24:24	4:1	□:-40~+100°C M3:-55~+100°C
		D: Dual	05:±5 12:±12 15:±15		

**TECHNICAL SPECIFICATION** All specifications are typical at nominal input, full load and 25°C unless otherwise noted

Model Number	Input Range	Output Voltage	Output Current @Full Load	Input Current @ No Load	Efficiency	Maximum Capacitor Load
	VDC	VDC	mA	mA	%	μF
RDL03-24S3P3W	9 ~ 36	3.3	700	4	76	1100
RDL03-24S05W	9 ~ 36	5	600	4	81	550
RDL03-24S09W	9 ~ 36	9	333	4	81	340
RDL03-24S12W	9 ~ 36	12	250	4	83	240
RDL03-24S15W	9 ~ 36	15	200	4	83	240
RDL03-24S24W	9 ~ 36	24	125	4	82	90
RDL03-24D05W	9 ~ 36	±5	±300	6	80	±340
RDL03-24D12W	9 ~ 36	±12	±125	6	82	±170
RDL03-24D15W	9 ~ 36	±15	±100	8	82	±90
RDL03-48S3P3W	18 ~ 75	3.3	700	4	75	1100
RDL03-48S05W	18 ~ 75	5	600	4	81	550
RDL03-48S09W	18 ~ 75	9	333	4	81	340
RDL03-48S12W	18 ~ 75	12	250	4	82	240
RDL03-48S15W	18 ~ 75	15	200	4	82	240
RDL03-48S24W	18 ~ 75	24	125	4	82	90
RDL03-48D05W	18 ~ 75	±5	±300	6	80	±340
RDL03-48D12W	18 ~ 75	±12	±125	6	82	±170
RDL03-48D15W	18 ~ 75	±15	±100	8	82	±90
RDL03-110S3P3W	43 ~ 160	3.3	700	2	76	1100
RDL03-110S05W	43 ~ 160	5	600	2	80	550
RDL03-110S09W	43 ~ 160	9	333	2	81	340
RDL03-110S12W	43 ~ 160	12	250	2	82	240
RDL03-110S15W	43 ~ 160	15	200	2	83	240
RDL03-110S24W	43 ~ 160	24	125	2	83	90
RDL03-110D05W	43 ~ 160	±5	±300	2	80	±340
RDL03-110D12W	43 ~ 160	±12	±125	2	83	±170
RDL03-110D15W	43 ~ 160	±15	±100	2	81	±90

**INPUT SPECIFICATIONS**

Parameter	Conditions	Min.	Typ.	Max.	Unit
Operating input voltage range	24Vin(nom)	9	24	36	VDC
	48Vin(nom)	18	48	75	
	110Vin(nom)	43	110	160	
Start up time	Constant resistive load	Power up	50	75	ms
		Remote ON/OFF	50	75	
Input surge voltage	1 second, max.			50 100 185	VDC
Input filter				Capacitor type	
Remote ON/OFF	Referred to -Vin pin	DC-DC ON		Open or 0 ~ 0.5VDC	
		DC-DC OFF	2	3 ~ 12VDC	4
		Input current of Ctrl pin			mA
		Remote off input current	2.5		mA

OUTPUT SPECIFICATIONS						
Parameter	Conditions		Min.	Typ.	Max.	Unit
Voltage accuracy			-1.0		+1.0	%
Line regulation	Low Line to High Line at Full Load		-0.2		+0.2	%
Load regulation	No Load to Full Load	Single	-0.5		+0.5	%
		Dual	-1.0		+1.0	%
Cross regulation	Asymmetrical load 25%/100% FL	Dual	-5.0		+5.0	%
Ripple and noise	Measured by 20MHz bandwidth With a 1 $\mu$ F/50V X7R MLCC			50	75	mVp-p
Temperature coefficient			-0.02		+0.02	%/°C
Transient response recovery time	25% load step change			250		$\mu$ s
Over load protection	% of lout rated; Hiccup mode			180		%
Short circuit protection						Continuous, automatic recovery

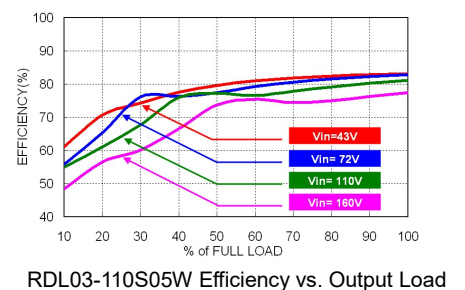
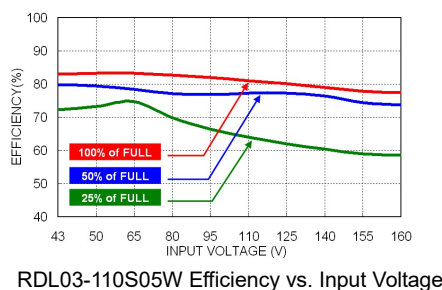
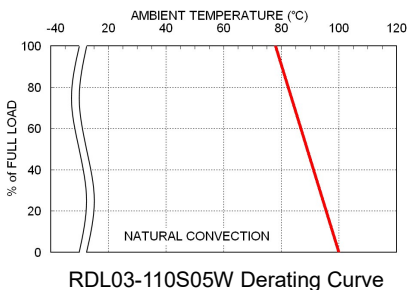
GENERAL SPECIFICATIONS						
Parameter	Conditions		Min.	Typ.	Max.	Unit
Isolation voltage	1 minute	Input to Output Input (Output) to Case	3000 1500			VDC
Isolation resistance	500VDC		1			G $\Omega$
Isolation capacitance					100	pF
Switching frequency		110Vin Others	270 360	300 400	330 440	kHz
Safety approvals	IEC/ EN/ UL62368-1					UL:E193009 CB:UL(Demko)
Standard approvals	EN50155 EN45545-2					
Case material						Copper
Base material						None
Potting material						Silicone (UL94 V-0)
Weight						5.9g (0.21oz)
MTBF	MIL-HDBK-217F, Full load					5.535 x 10 <sup>6</sup> hrs

ENVIRONMENTAL SPECIFICATIONS						
Parameter	Conditions		Min.	Typ.	Max.	Unit
Operating case temperature	M3 version	With derating	-40		+100	°C
		With derating	-55		+100	°C
Maximum case temperature					100	°C
Storage temperature range			-55		+125	°C
Thermal shock						MIL-STD-810F
Shock						EN61373, MIL-STD-810F
Vibration						EN61373, MIL-STD-810F
Relative humidity						5% to 95% RH

EMC SPECIFICATIONS			
Parameter	Conditions		Level
EMI	EN55032, EN50121-3-2	With external components	Class A, Class B
EMS	EN55024, EN50121-3-2		
ESD	EN61000-4-2	Air $\pm 8kV$ and Contact $\pm 6kV$	Perf. Criteria A
Radiated immunity	EN61000-4-3	20V/m	Perf. Criteria A
Fast transient	EN61000-4-4	$\pm 2kV$	Perf. Criteria A
	RDL03-24□□□W	With an aluminum electrolytic capacitor (Nippon chemi-con KY series, 220 $\mu$ F/100V) and a TVS (SMDJ70A, 70V, 3000Watt peak pulse power) to connect in parallel.	
	RDL03-48□□□W	With an aluminum electrolytic capacitor (Nippon chemi-con KY series, 220 $\mu$ F/100V) and a TVS (SMDJ120A, 120V, 3000Watt peak pulse power) to connect in parallel.	
Surge	RDL03-110□□□W	With an aluminum electrolytic capacitor (Nippon chemi-con KXJ series, 150 $\mu$ F/200V) and a TVS (SMB250A, 250V, 600Watt peak pulse power) to connect in parallel.	
	EN61000-4-5	$\pm 2kV$	Perf. Criteria A
	RDL03-24□□□W	With an aluminum electrolytic capacitor (Nippon chemi-con KY series, 220 $\mu$ F/100V) and a TVS (SMDJ70A, 70V, 3000Watt peak pulse power) to connect in parallel.	
Conducted immunity	RDL03-48□□□W	With an aluminum electrolytic capacitor (Nippon chemi-con KY series, 220 $\mu$ F/100V) and a TVS (SMDJ120A, 120V, 3000Watt peak pulse power) to connect in parallel.	
	RDL03-110□□□W	With an aluminum electrolytic capacitor (Nippon chemi-con KXJ series, 150 $\mu$ F/200V) and a TVS (SMB250A, 250V, 600Watt peak pulse power) to connect in parallel.	
	EN61000-4-6	10Vr.m.s	Perf. Criteria A
Power frequency magnetic field	EN61000-4-8	100A/m continuous; 1000A/m 1 second	Perf. Criteria A

**CAUTION:** This power module is not internally fused. An input line fuse must always be used.

## CHARACTERISTIC CURVE



## FUSE CONSIDERATION

This power module is not internally fused. An input line fuse must always be used.

This encapsulated power module can be used in a wide variety of applications, ranging from simple stand-alone operation to an integrated part of sophisticated power architecture.

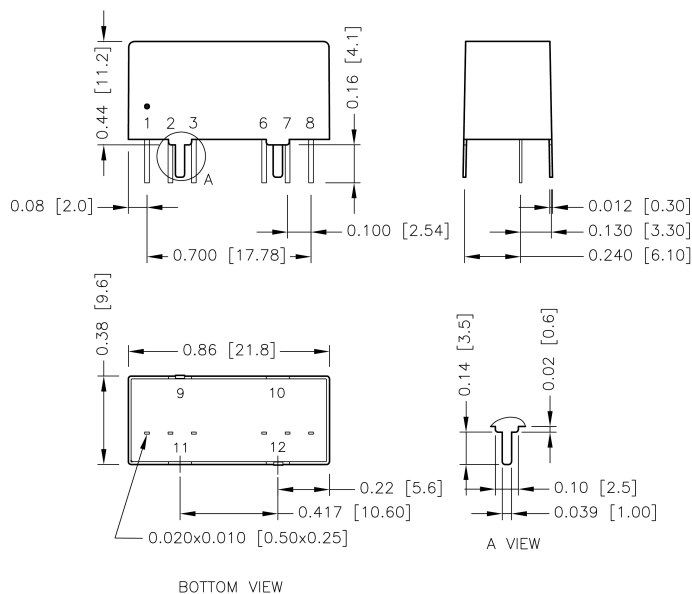
To maximum flexibility, internal fusing is not included; however, to achieve maximum safety and system protection, always use an input line fuse.

The input line fuse suggest as below :

Model	Fuse Rating (A)	Fuse Type
RDL03-24□□□W	0.8	Slow-Blow
RDL03-48□□□W	0.5	Slow-Blow
RDL03-110□□□W	0.16	Slow-Blow

The table based on the information provided in this data sheet on inrush energy and maximum DC input current at low Vin.

## MECHANICAL DRAWING



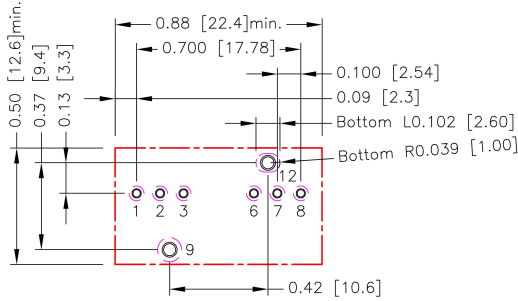
## PIN CONNECTION

PIN	SINGLE	DUAL
1	-Vin	-Vin
2	+Vin	+Vin
3	Ctrl	Ctrl
6	+Vout	+Vout
7	-Vout	Common
8	NC	-Vout
9	Case	Case
10	Stand off	Stand off
11	Stand off	Stand off
12	Case	Case

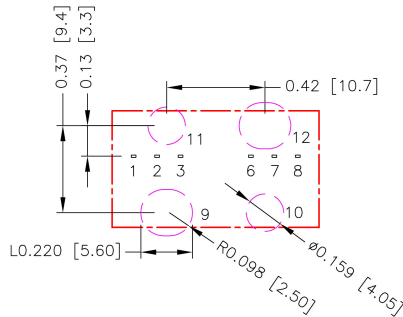
- All dimensions in inch [mm]
- Tolerance :x.xx±0.02 [x.xx±0.5]  
x.xxx±0.01 [x.xx±0.25]
- Pin dimension tolerance ±0.004[0.10]

\* Case pins should not be connected to any circuit.

**RECOMMENDED PAD LAYOUT**



All dimensions in inch[mm]  
 Pad size(lead free recommended)  
 Through hole 1.2.3.6.7.8:  $\Phi 0.031[0.80]$   
 Through hole 9.12:  $\Phi 0.051[1.30]$   
 Top view pad 1.2.3.6.7.8:  $\Phi 0.039[1.00]$   
 Top view pad 9.12:  $\Phi 0.064[1.63]$   
 Bottom view pad 1.2.3.6.7.8:  $\Phi 0.063[1.60]$   
 Bottom view pad 9:  $\Phi 0.102[2.60]$   
 Bottom view pad 12: Groove R0.039[1.00]L0.102[2.60]



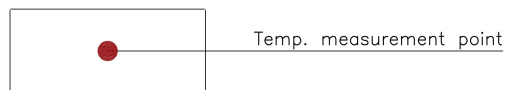
Area 9.10.11.12 don't layout  
 Area 10.11 size:  $\Phi 0.159[4.05]$   
 Area 9.12 size: Groove R0.098[2.50]L0.220[5.60]  
 The layout distance between Pin3 and Pin6 is at least 3mm

\* We recommend putting PCB trace on bottom side.

**THERMAL CONSIDERATIONS**

The power module operates in a variety of thermal environments. However, sufficient cooling should be provided to help ensure reliable operation of the unit. Heat is removed by conduction, convection, and radiation to the surrounding Environment. Proper cooling can be verified by measuring the point as the figure below. The temperature at this location should not exceed "Maximum case temperature". When Operating, adequate cooling must be provided to maintain the test point temperature at or below "Maximum case temperature". You can limit this Temperature to a lower value for extremely high reliability.

- Thermal test condition with vertical direction by natural convection (20LFM).



TOP VIEW