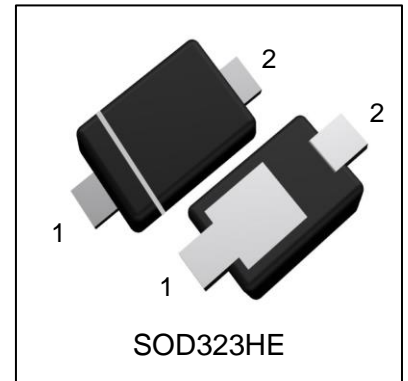


# LBAT60ET1G

## S-LBAT60ET1G

Schottky Barrier Diode



### 1. FEATURES

- We declare that the material of product compliance with RoHS requirements and Halogen Free.
- S- prefix for automotive and other applications requiring unique site and control change requirements; AEC-Q101 qualified and PPAP capable.
- High Current Rectifier Schottky Diode with Low VF Drop
- Low Voltage, Low Inductance
- For Power Supply
- For Detection and Step-up-Conversion

### 2. DEVICE MARKING AND ORDERING INFORMATION

Device	Marking	Shipping
LBAT60ET1G	60	3000/Tape&Reel

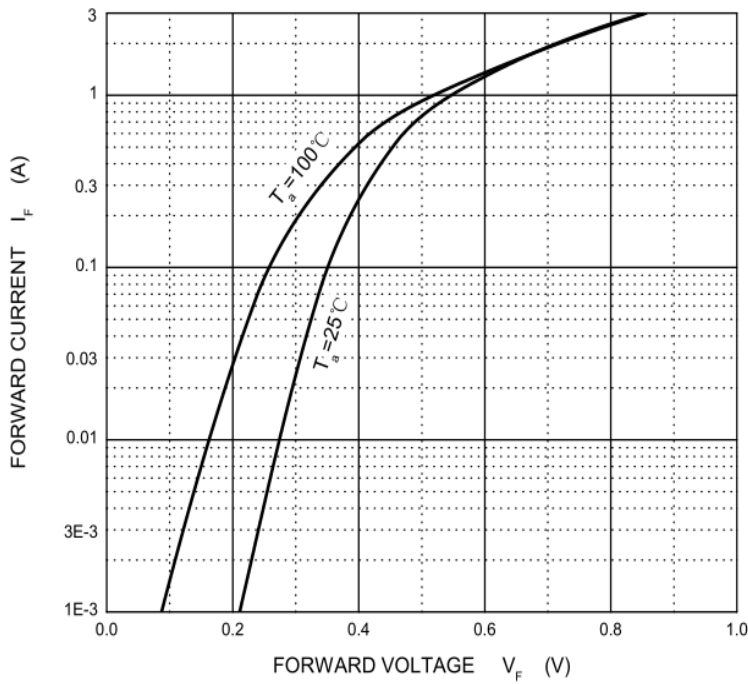
### 3. MAXIMUM RATINGS(Ta = 25°C)

Parameter	Symbol	Limits	Unit
DC Blocking Voltage	VR	10	V
Forward Current	IF	3	A
Non-repetitive Peak Forward Surge Current@t=8.3ms	IFSM	5	A
Power Dissipation	PD	350	mW
Thermal Resistance from Junction to Ambient	RθJA	286	°C/W
Junction Temperature	Tj	125	°C
Storage Temperature	Tstg	-55~+150	°C

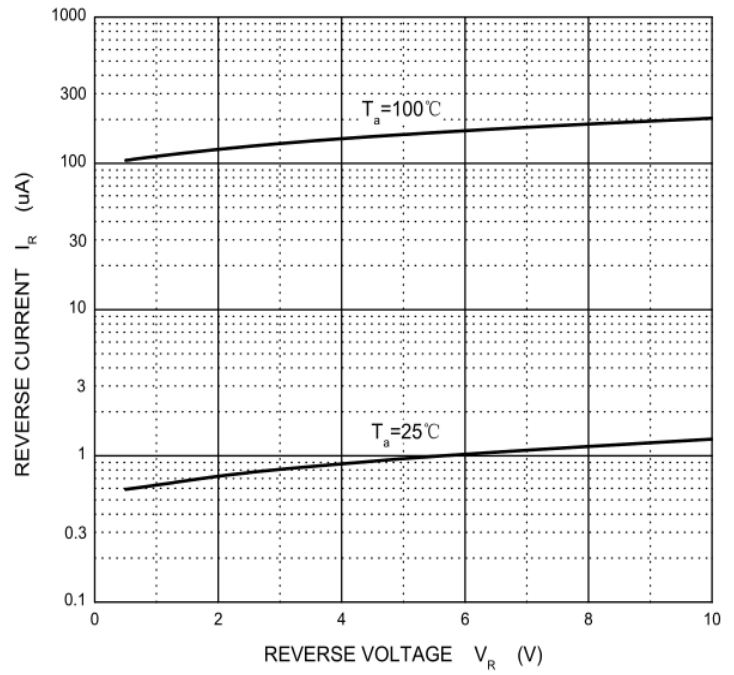
### 4. ELECTRICAL CHARACTERISTICS (Ta= 25°C)

Characteristic	Symbol	Min.	Typ.	Max.	Unit
Reverse voltage (IR =1mA)	VBR	10	-	-	V
Reverse current (VR =5V)	IR	-	-	15	μA
(VR =8V)		-	-	25	
Forward voltage (IF = 100mA)	VF	-	-	0.38	V
(IF = 500mA)		-	-	0.5	
(IF = 1000mA)		-	-	0.6	
Total capacitance (VR =5V,f=1MHz)	Ctot	-	30	-	pF

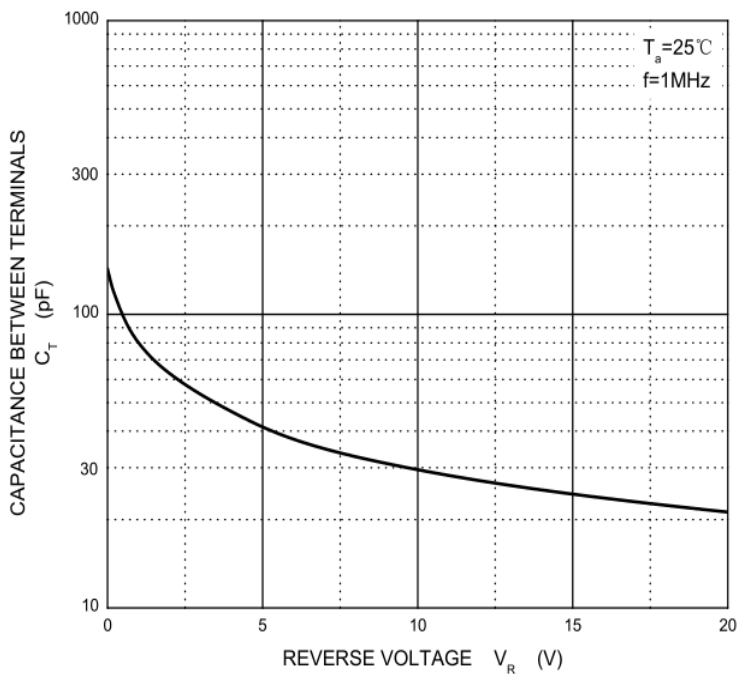
**5. ELECTRICAL CHARACTERISTICS CURVES**



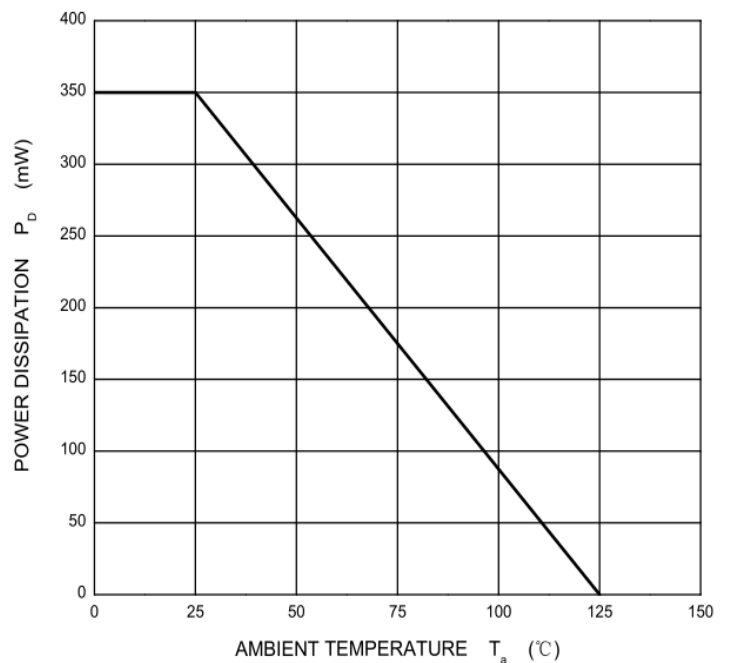
Forward Characteristics



Reverse Characteristics

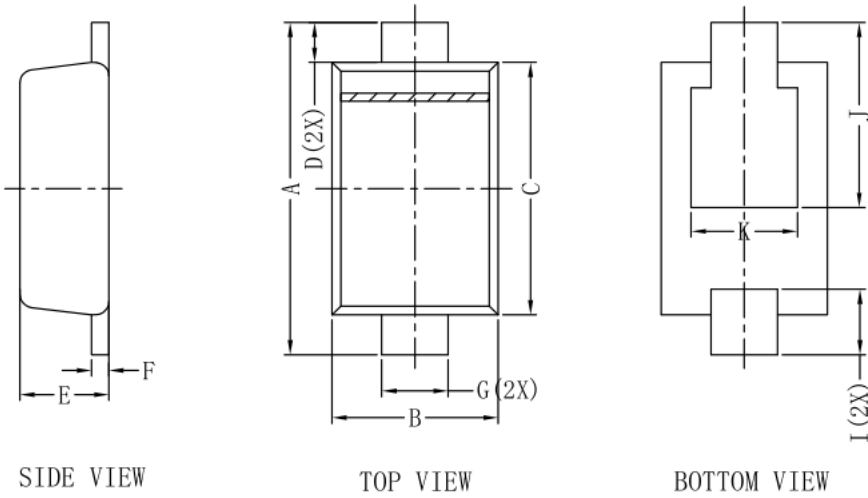


Capacitance Characteristics



Power Derating Curve

**6.OUTLINE AND DIMENSIONS**



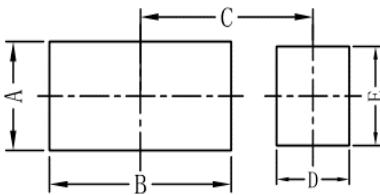
SOD323HE			
DIM	MIN	MAX	Typ.
A	2.30	2.70	2.55
B	1.20	1.35	1.25
C	1.75	1.95	1.90
D	-	-	0.30
E	0.55	0.75	0.67
F	0.10	0.20	0.15
G	0.45	0.65	0.50
I	0.40	0.70	0.50
J	1.15	1.55	1.40
K	-	-	0.80
All Dimensions in mm			

**GENERAL NOTES**

1. Top package surface finish  $Ra0.4 \pm 0.2\mu m$
2. Bottom package surface finish  $Ra0.7 \pm 0.2\mu m$

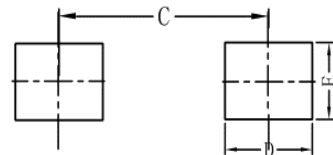
**7.SOLDERING FOOTPRINT**

**RECOMMENDED PAD**



SOD323HE	
DIM	(mm)
A	1.1
B	2.0
C	1.9
D	0.8
E	1.1

**COMPATIBLE PAD**



SOD323HE	
DIM	(mm)
D	1.0
E	0.8
C	2.4

## **DISCLAIMER**

- Before you use our Products, you are requested to carefully read this document and fully understand its contents. LRC shall not be in any way responsible or liable for failure, malfunction or accident arising from the use of any LRC's Products against warning, caution or note contained in this document.
- All information contained in this document is current as of the issuing date and subject to change without any prior notice. Before purchasing or using LRC's Products, please confirm the latest information with a LRC sales representative.