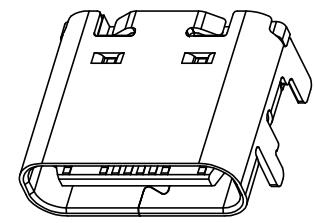
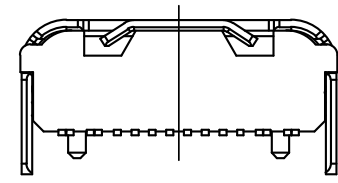
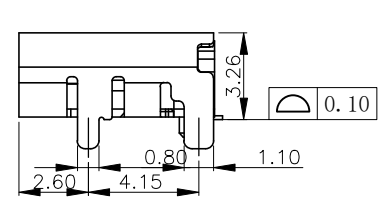
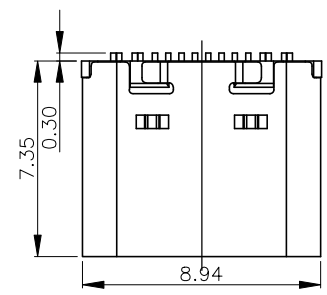


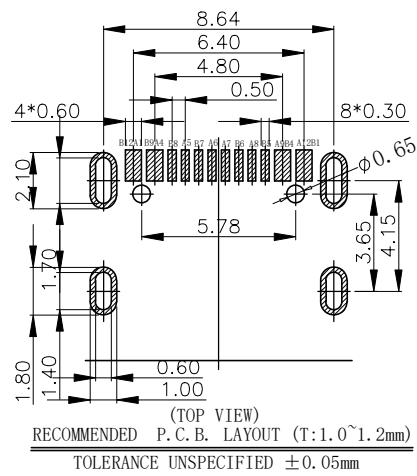
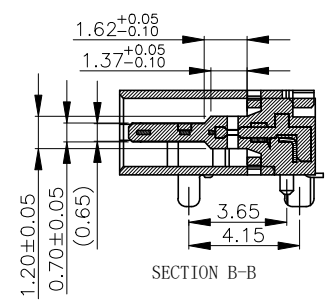
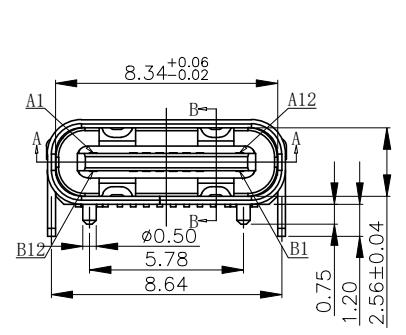


5	6
REV.	ECN NO OR DESCRIPTION
REVISED	DATE

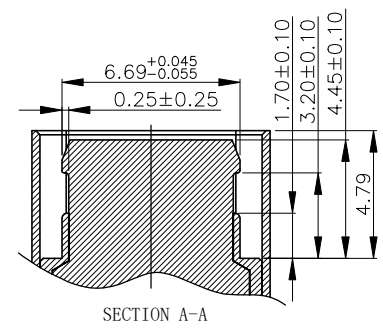
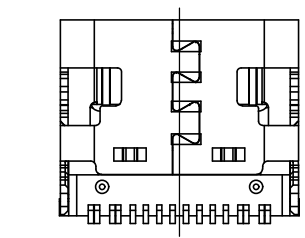


3D View

- SPECIFICATION:**
- Material:
    - HOUSING&MOLDING:LCP,UL94 V-0
    - CONTACTS:COPPER ALLOY T=0.20mm
    - MIDDLE CLIP:SUS301-1/2H,T=0.15mm
    - SHELL:SUS, T=0.30mm
  - Mechanical:
    - 2.1.Mating force:5~20Nf Max.;
    - 2.2.Unmating force:6~20Nf Min.;
    - 2.3.Durability:10000 Cycles;
  - Electrical:
    - 3.1.Current Rating:3A Max.;
    - 3.2.Voltage Rating:20V Max.;
    - 3.3.Dielectric Withstanding voltage:100VAc;
    - 3.4.Contact resistance:40m Ohms Max.;
    - 3.5.Insulation Resistance:100M Ohms Min.;
  - Environmental:
    - 4.1.Operating temperature:-40°C~+85°C;
    - 4.2.Wetting Temperature:265±5°C,5±0.5s



PIN DEFINE TABLE			
PIN	SIGNAL	PIN	SIGNAL
A12	GND	B1	GND
A11		B2	
A10		B3	
A9	VBUS	B4	VBUS
A8	SBU1	B5	CC2
A7	D-	B6	D+
A6	D+	B7	D-
A5	CC1	B8	SBU2
A4	VBUS	B9	VBUS
A3		B10	
A2		B11	
A1	GND	B12	GND



UNLESS OTHERWISE SPECIFIED TOLERANCES

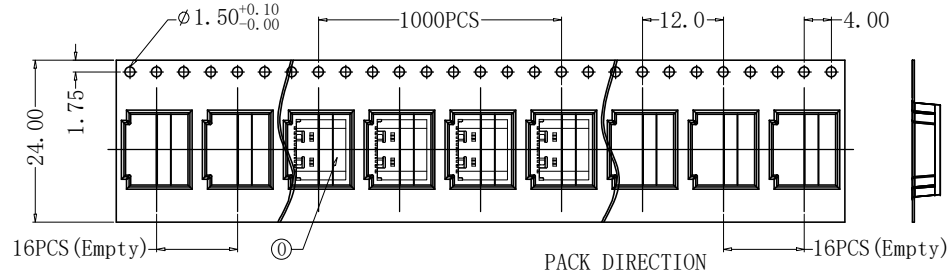
**东莞市汉博电子科技有限公司**  
DONGGUAN HANBO TECHNOLOGY CO., LTD

DECIMALS: ANGLES: TITLE TYPE-C 16Pin 母座板上型 7.35mm

X	:±0.50	.X°	:±3.0°	DWN	xiong	PART NO. MC-107D		
.X	:±0.35	.XX°	:±2.5°	CHKD	lee	SCALE:1:1	UNIT: mm	
.XX	:±0.25	.XXX°	:±2.0°	APVD	wang	SIZE: A4	SHEET:1OF 1	REV: A4
.XXX	:±0.15			CUSTOMER COPY				

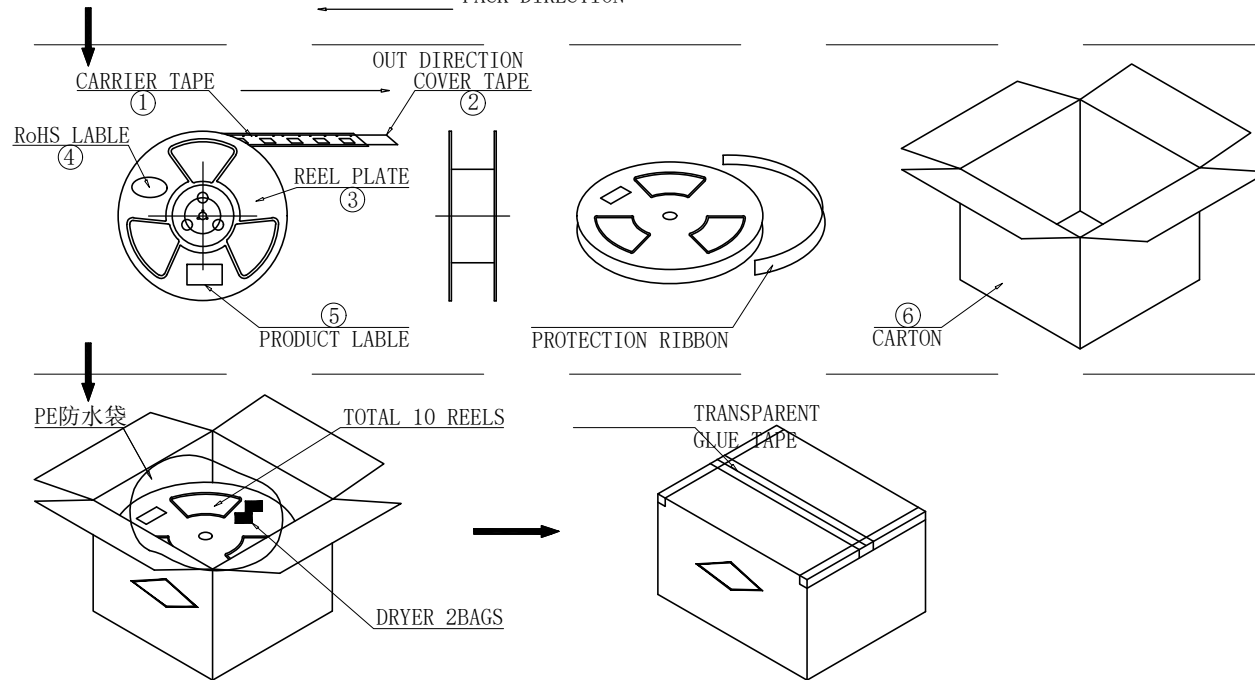


REV.	ECN NO OR DESCRIPTION	REVISED	DATE



说明:

1. 每卷前后各空16PCS, 尾部用美纹胶纸封住;
2. 将产品放满盘后, 再卷一圈保护带, 用美纹胶纸将其封住, 并贴上1Pcs物料标签;
3. 每10卷盘一叠共10000Pcs并装入1个外箱内;
4. 在搬运过程中要轻拿轻放;
5. 在运输中不可堆放过多(1.8M最高), 不可重压;
6. 跌落测试条件:  
成品箱从1.2米高度自由落体(一角三棱六面):  
a. 产品不可跑出下带凹槽;  
b. 产品不可有摔伤, 变形;  
c. 内包装材料不可严重破损.



NO.	NAME	SPEC	Q' TY
①	TYPE C RECEPTACLE		10000PCS/CARTON
②	CARRIER TAPE	W=24mm, T=0.35mm	1000PCS/PLATE
③	COVER TAPE	W=21.5mm	10PLATES/CARTON
④	REEL PLATE	330*100*24.4mm	10PCS/CARTON
⑤	RoHS LABEL		10PCS/CARTON
⑥	PRODUCT LABELER		10PCS/CARTON
⑦	CARTON	350*340*310mm	1PCS/PACKAGE

UNLESS OTHERWISE SPECIFIED TOLERANCES



东莞市汉博电子科技有限公司  
DONGGUAN HANBO TECHNOLOGY CO., LTD

DECIMALS: ANGLES:  
X :±0.50 .X° :±3.0°  
.X :±0.35 .XX° :±2.5°  
.XX :±0.25 .XXX° :±2.0°  
.XXX :±0.15

TITLE	TYPE-C 16Pin 每盘板上型 7.35mm-4线脚			
DWN	xiong	PART NO. MC-107D		
CHKD	lee	SCALE:1:1	UNIT: mm	REV: A4
APVD	wang	SIZE: A4	SHEET:10F 1	REV: A4

CUSTOMER COPY