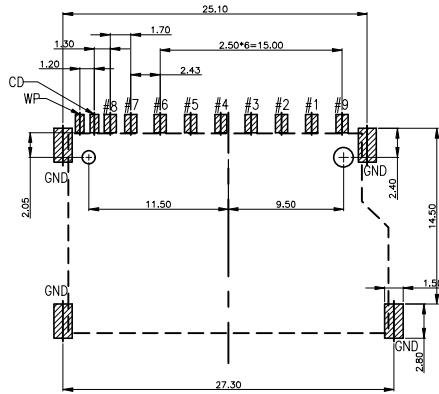
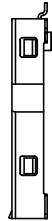
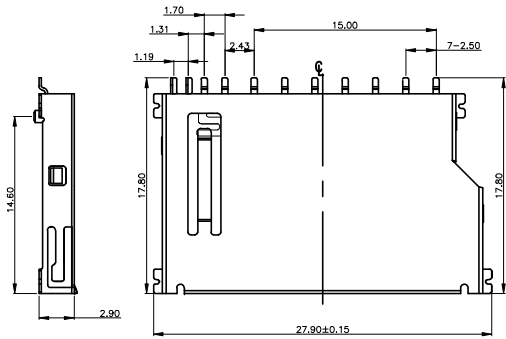
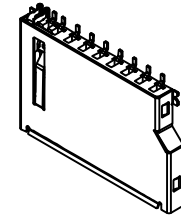




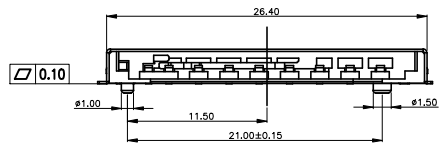
REV.	ECN NO OR DESCRIPTION	REVISED	DATE



RECOMMENDED P.C.B LAYOUT (TOP VIEW)

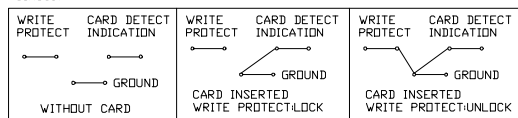


SPECIFICATION
MATERIAL
 Insulator: Thermal Plastic UL94V-0
 Contacts: Copper Alloy
 Shell: Copper Alloy
ELECTRICAL
 Operation Voltage: 250 VAC Max.
 Current Rating: 0.5 Amps Max.
 Contact Resistance: 100mΩ Max.
 Insulation Resistance: 1000MΩ Min./500 VDC
 Dielectric Withstanding Voltage: 500 VAC / Minute
 Temperature Range: -25°C To +80°C



PIN#	NAME
1	CD/DAT3
2	CMD
3	VSS1
4	VDD
5	CLK
6	VSS2
7	DAT0
8	DAT1
9	DAT2

CIRCUIT:



C	SHIELD	1	STAINLESS STEEL 0.20t	Ni PLATING
B	CONTACT	11	COPPER ALLOY 0.20t	Gold Flash On Contact Area Matte-Tin plated on Solder tail All over Nickel Plated .
A	HOUSING	1	THERMOPLASTIC UL94-V0	WHITE
NO	DESCRIPTION	QTY	MATERIAL	PLATING & COLOR

UNLESS OTHERWISE SPECIFIED TOLERANCES



东莞市汉博电子科技有限公司
 DONGGUAN HANBO TECHNOLOGY CO., LTD

DECIMALS: ANGLES:
 X :±0.35 X :±2°
 X.X :±0.25 X.X :±1°
 X.XX :±0.15

TITLE	SD CARD CONN SHORT BODY SMT			
DWN	xiong	SD-112S		
CHKD	lee	SCALE:1:1	UNIT: mm	
APVD	wang	SIZE: A4	SHEET:10F 1	REV: A4

CUSTOMER COPY