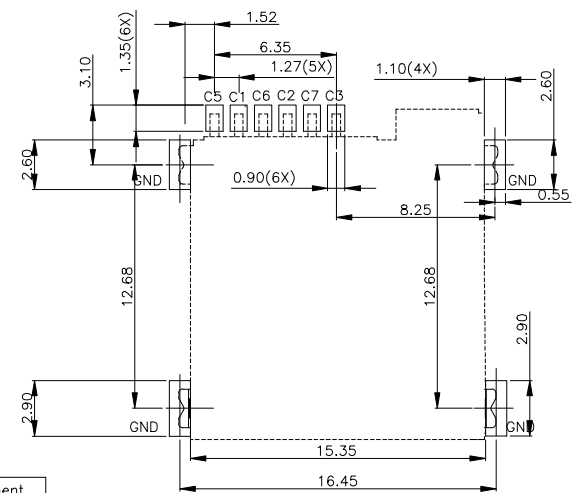
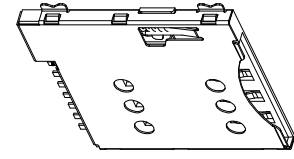
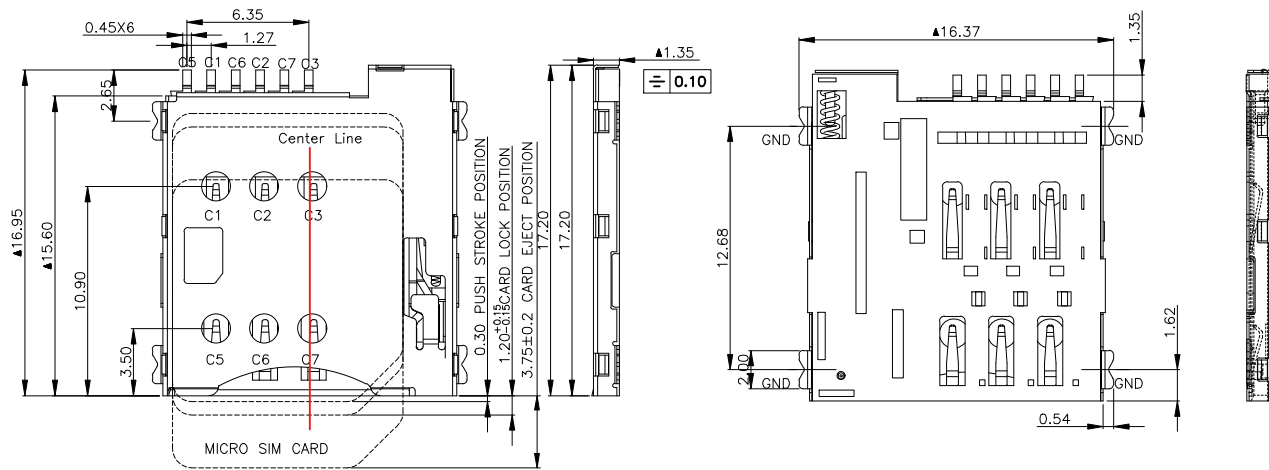
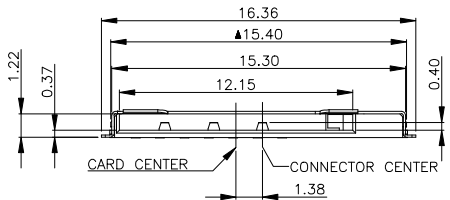




REV.	ECN NO OR DESCRIPTION	REVISED	DATE



RECOMMENDED PCB LAYOUT
GENERAL TOLERANCE ±0.05



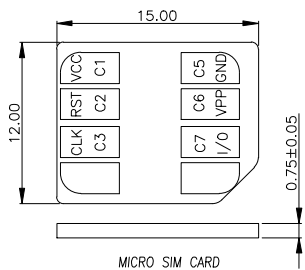
Specification

MATERIAL:
 Insulator: High Temperature Thermoplastic, UL 94V-0.
 Contact: Copper Alloy
 SHELL: SUS

PLATING:
 Contact: Plated 50u" Ni Over all Contact Au 1U
 Shell: Plated 50u" Ni Overall
 Plated 1u"Au Selective Contact Area

Electrical:
 Current Rating :0.5mA
 Voltage Rating :5V AC/DC
 Ambient Temperature Range :-20°C~+60°C
 Storage Temperature Range :-40°C~+85°C
 Ambient Humidity Range :95% R.H. Max.
 Contact Resistance:100mΩ max.
 Insulation Resistance:1000MΩ min./500VDC
 产品耐温温度: 260°C 5s<1.70>5s<1.70>+5°C
 Mating Cycles:1500Min Insertions

SIM pin assignment	
PIN#	Name
C1	VCC供电电压
C2	RST复位
C3	CLK时钟
C5	GND接地
C6	VPP编程电压
C7	I/O输入输出



UNLESS OTHERWISE SPECIFIED TOLERANCES		东莞市汉博电子科技有限公司 DONGGUAN HANBO TECHNOLOGY CO., LTD			
DECIMALS:	ANGLES:	TITLE	6pin H1.35 push push micro sim card		
X :±0.5	X :±2°	DWN	xiong	PART NO. SIM-200-P6	
X.X :±0.20	X.X :±1°	CHKD	lee	SCALE:1:1	UNIT: mm
X.XX :±0.10		APVD	wang	SIZE: A4	SHEET:10F 1
		REV: A4			
CUSTOMER COPY					