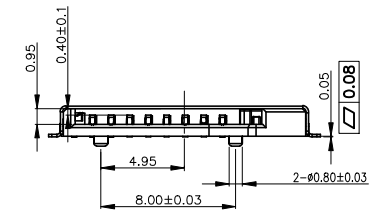
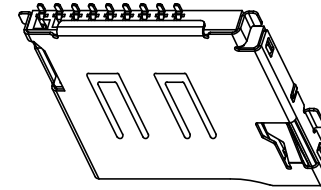
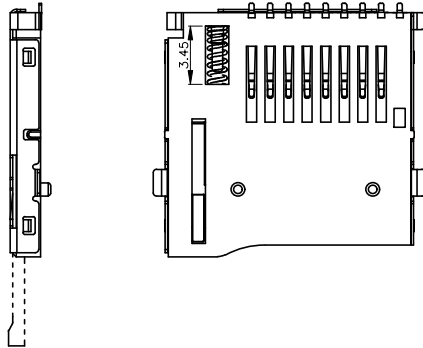
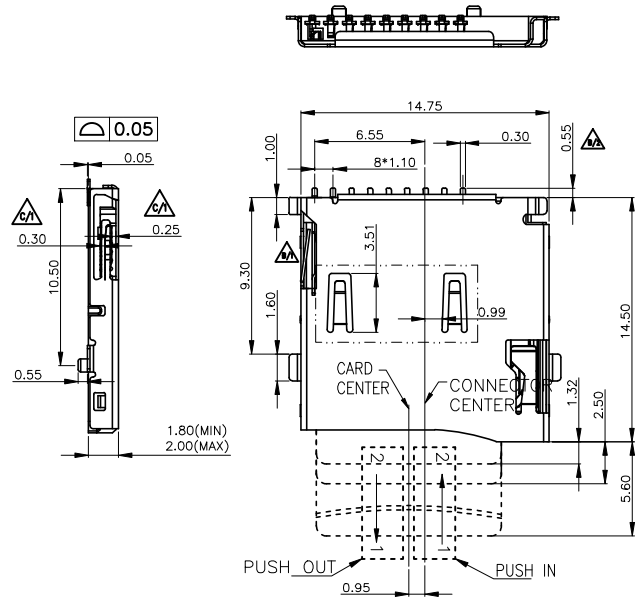
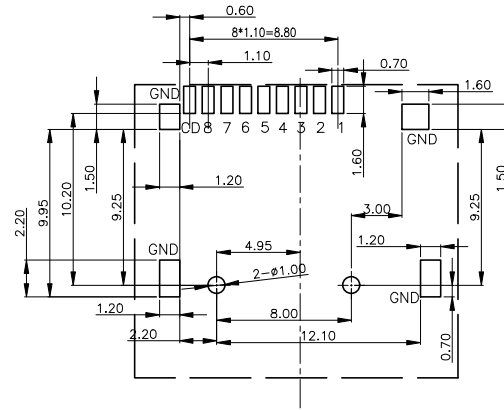




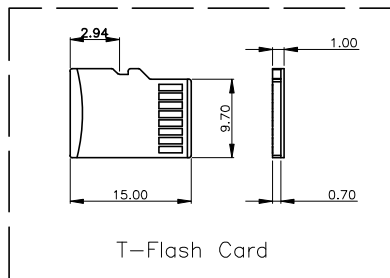
5	6		
REV.	ECN NO OR DESCRIPTION	REVISED	DATE



PIN NO.	NAME	TYPE	DESCRIPTION
1	DAT2	I/O/PP	DATE LINE(BIT2)
2	CD/DAT3	I/O/PP	CARD DETECT DATE LIN(BIT3)
3	CMD	PP	COMMAND RESPONSE
4	VDD	S	SUPPLY VOLTAGE
5	CLX	I	CLOCK
6	VSS	S	SUPPLY VOLTAGE GROUND
7	DATO	I/O/PP	DATE LINE(BITO)
8	DAT1	I/O/PP	DATE LINE(DIT1)
9	CD	CD	CD



RECOMMENDED P.C.B HOLE LAYOUT  
COMPONENT SIDE VIEW(TOLERANCE: +/-0.05)



- NOTES:  
 1.MATERIAL:  
 HOUSING: HIGH TEMPERATURE THERMOPLASTIC  
 UL94V\_0,COLOR:BLACK.  
 CONTACT: COPPER ALLOYS.  
 COVER: COPPER ALLOYS OR STEEL.  
 2.PLATING:  
 UNDERPLATE: NICKEL.  
 CONTACT AREA: GOLD OVER NICKEL.  
 SOLDER AREA: TIN OVER NICKEL.  
 3.MULTIMEDIA CARD COMPATIBLE

UNLESS OTHERWISE  
SPECIFIED TOLERANCES



东莞市汉博电子科技有限公司  
DONGGUAN HANBO TECHNOLOGY CO., LTD

DECIMALS:	ANGLES:	TITLE	T-FLASH 外焊 有压片		
X :±0.5	X :±2°	DWN	xiong	TF-015	
X.X :±0.20	X.X :±1°	CHKD	lee	SCALE:1:1	UNIT: mm
X.XX :±0.10		APVD	wang	SIZE: A4	SHEET:10F 1
					REV: A4
CUSTOMER COPY					