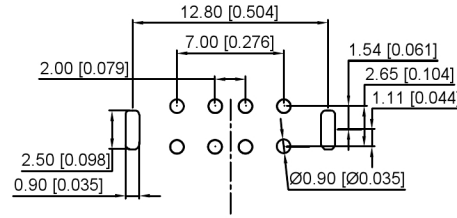
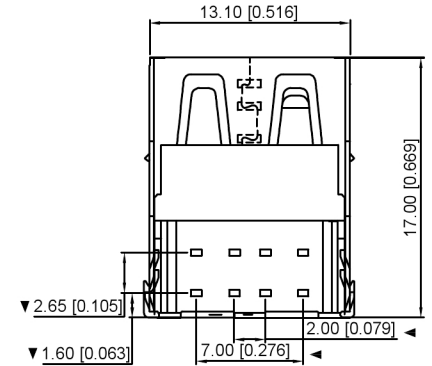


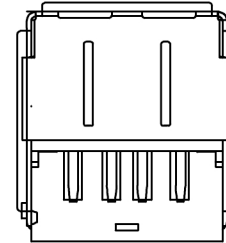
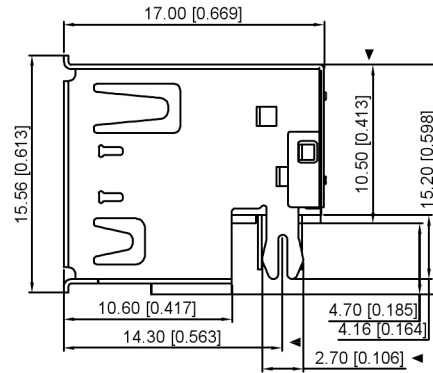
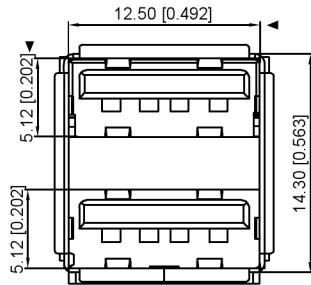
14.30 [0.563]



RECOMMENDED PCB LAYOUT



F:Flat

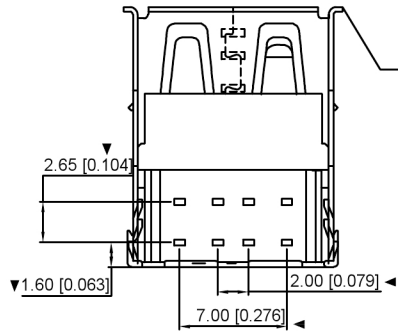


S:Scrolls

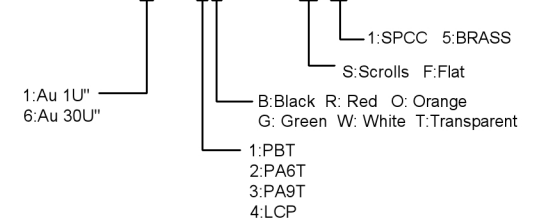
Housing Material: PBT UL94V-0, black/White

Contact Terminal: Brass

Metallic Shell: Brass/Spcc



U224-08XN-1XRZ21-X-X



广东星坤科技股份有限公司

ΔX	日期
ΔX	日期
ΔX	日期
MARK	DESCRIPTION

文件工程章

REVISIONS	DATE	REVISED	APPROVED	DESCRIPTION

UNSPECIFIED TOLERANCES

www.helloxkb.com www.helloxkb.cn www.xk-dg.cn



XKB INDUSTRIAL PRECISION CO., LIMITED

DSND	SCALE: N/A	MODEL TYPE: USB 2.0
DWN	VIEW:	PART NO.:
CHKD	UNIT: mm/in	DWG NO.:
APPD	SIZE: A4	U224-08XN-1XRZ21-X-X
	WEIGHT	SHEET
		1/1
	REVISION	A0