

Specifications:

规格:

Voltage rating: 125V AC/DC

额定电压: 125V AC/DC

Current rating: 2A AC/DC

额定电流: 2A AC/DC

Contact Resistance: ≤20MΩ

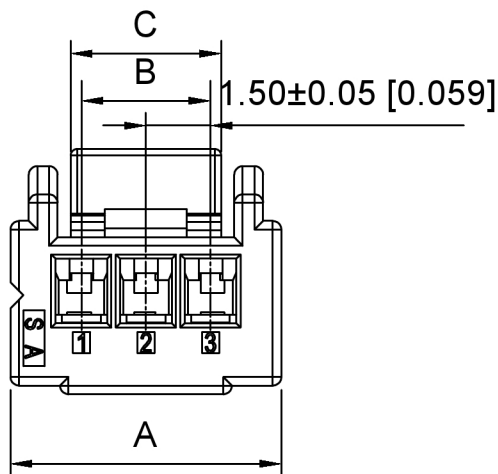
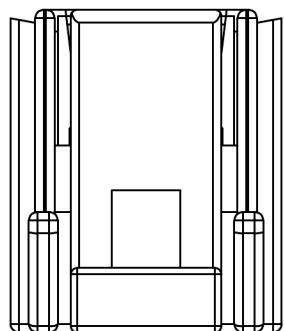
接触电阻: ≤20MΩ

Insulation Resistance: ≥200MΩ

绝缘电阻: ≥200MΩ

Dielectric strength: 800V AC/minute

耐压: 800V AC/minute



X1506 H-XX-PT

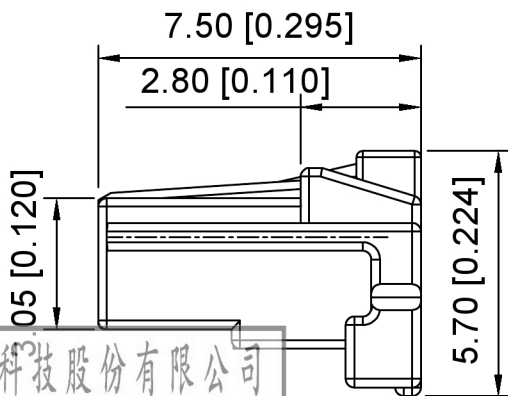
① ② ③ ④

① Series No

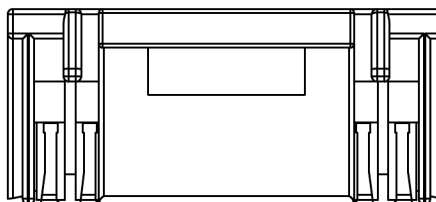
② Category: H-HSG

③ Row No: -Pin XX-02P-16P

④ Material: PT-PBT 94V-0



Poles	Dimensions(mm)			Poles	Dimensions(mm)			Poles	Dimensions(mm)		
	A	B	C		A	B	C		A	B	C
2	5.00	1.50	2.70	7	12.30	9.00	7.50	12	19.80	16.50	9.90
3	6.30	3.00	3.50	8	13.80	10.50	9.80	13	21.30	18.00	11.30
4	7.80	4.50	4.50	9	15.30	12.00	9.80	14	22.80	19.50	11.30
5	9.30	6.00	4.50	10	16.80	13.50	9.80	15	24.30	21.00	11.30
6	10.80	7.50	7.50	11	18.30	15.00	9.80	16	25.80	22.50	11.30



X1506H-XX-PT	PBT UL 94V-0	X1506W	Tin-Plated	X1506T
PART NO	Material	Material(pin)	Finish(Pin)	Suitable XX/B Terminal

广东星坤科技股份有限公司
 生效 日期
 文件工程章

MARK	DESCRIPTION	DATE	REVISED	APPROVED	UNSPECIFIED TOLERANCES
4X	ANGULAR				±5°
4X	L ≤ 4				±0.2
4X	4 < L ≤ 16				±0.3
	16 < L ≤ 63				±0.4
	L > 63				±0.5

DSND	SCALE: N/A	MODEL TYPE: 1.50mm Crimp Style Connectors
DWN	VIEW:	PART NO.: X1506H-XX-PT
CHKD	UNIT: mm/in	DWG NO.: X-X1506H-XX-PT
APPD	SIZE: A4	WEIGHT SHEET REVISION 1/1 A0



XKB INDUSTRIAL PRECISION CO., LIMITED