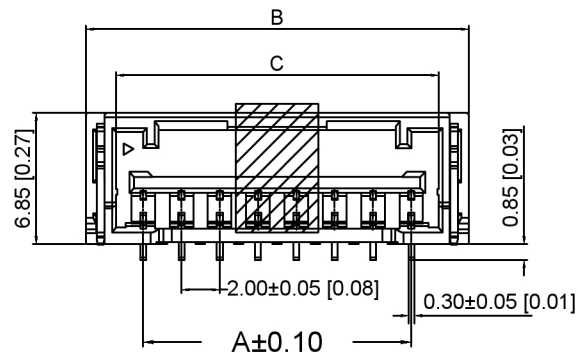
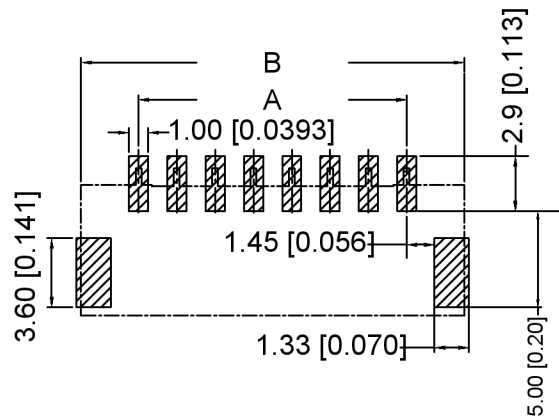
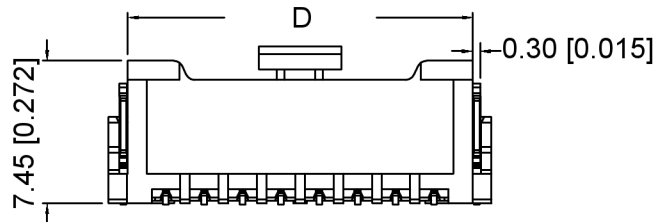
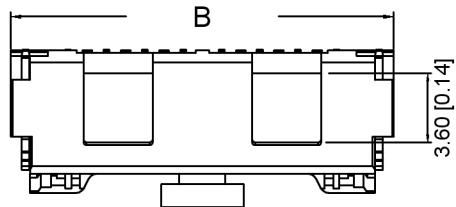


XKB

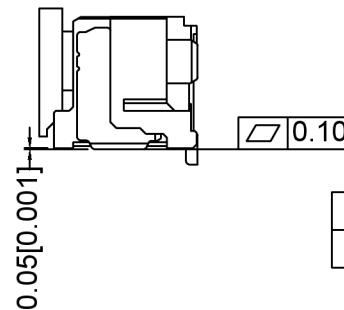
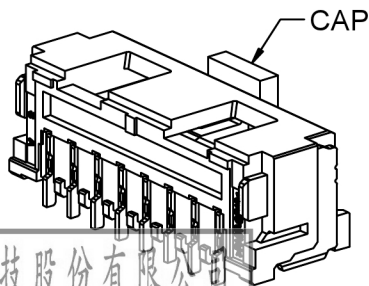


Specifications:
 规格:
 Voltage rating:250V AC/DC
 额定电压: 250V AC/DC
 Current rating:3A AC/DC
 额定电流: 3A AC/DC
 Withstanding voltage:800V AC/minute
 耐受电压: 800V AC/分钟
 Temperature range:-40°C-+105°C
 温度范围: -40°C-+105°C
 Insulation resistance:≥1000MΩ
 绝缘电阻: ≥1000MΩ
 Contact resistance:≤20mΩ
 接触电阻: ≤20mΩ
 After environmental testing:≤40mΩ
 环境测试后: ≤40兆欧
 HF-Halogen free
 无卤

X2023 W V S-XX -9T SW
 ① ② ③ ④ ⑤ ⑥ ⑦

- ① Series No.
- ② Category:W-WAFER
- ③ Welding Board Angle: V-180°
- ④ Welding Way:S-SMT
- ⑤ Row No.Pin No.: XX-02P-15P;
- ⑥ Material:9T -PA9T 94V-0
- ⑦ Plating Category: SW-Matte Tin

Recommended P.C. B LAYOUT
 Genrd Tolerance±0.05



Poles	Dimension mm				Poles	Dimension mm			
	A	B	C	D		A	B	C	D
2	2.00	8.00	4.85	6.00	09	16.00	22.00	18.85	20.00
3	4.00	10.00	6.85	8.00	10	18.00	24.00	20.85	22.00
4	6.00	12.00	8.85	10.00	11	20.00	26.00	22.85	24.00
5	8.00	14.00	10.85	12.00	12	22.00	28.00	24.85	26.00
6	10.00	16.00	12.85	14.00	13	24.00	30.00	26.85	28.00
7	12.00	18.00	14.85	16.00	14	26.00	32.00	28.85	30.00
8	14.00	20.00	16.85	18.00	15	28.00	34.00	30.85	32.00

X2023WVS-XX-9TSW	PA9T UL 94V-0	Brass	Matte Tin	Phosphor Bronze	Matte Tin	X2023H
PART NO	Material	Material(Pin)	Finish(Pin)	Material (Solder Tabs)	Finish (Solder Tabs)	Mates With Xkb Housing

广东星坤科技股份有限公司

生效	日期				XKB	ANGLAR	±5°	DSND		DATE		SCALE: N/A	MODEL TYPE: X2023WVS-XX-9TSW		
Δ*						L ≤ 4	±0.2	DWN		DATE		VIEW: ①	PART NO.:		
Δ*						4 < L ≤ 16	±0.3	CHKD		DATE		UNIT: mm/in	2.0 mm Crimp Style Connectors		
Δ*						16 < L ≤ 63	±0.4	APPD		DATE		SIZE: A4	DWG NO.:		
MARK	文件工程章	DESCRIPTION	DATE	REVISED	APPROVED	L > 63	±0.5								
REVISIONS							UNSPECIFIED TOLERANCES			XKB INDUSTRIAL PRECISION CO., LIMITED			WEIGHT	SHEET	REVISION
www.helloxkb.com							Autodesk							1/1	A0