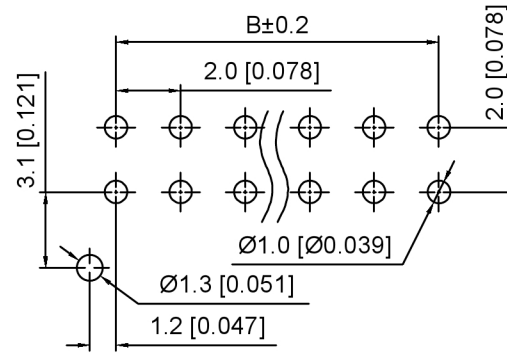
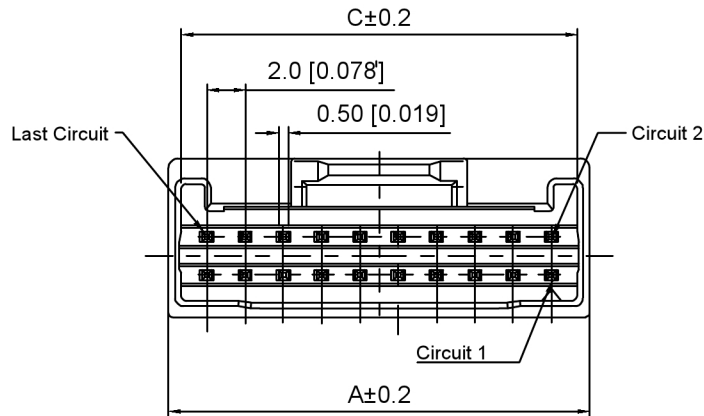


Specifications:
 规格:
 Voltage rating: 250V AC/DC
 额定电压: 250V AC/DC
 Current rating: 1A AC/DC
 额定电流: 1A AC/DC
 Withstanding voltage: 800V AC/minute
 耐受电压: 800V AC/分钟
 Temperature range: -25°C +85°C
 温度范围: -25°C +85°C
 Insulation resistance: ≥1000MΩ
 绝缘电阻: ≥1000MΩ
 Contact resistance: ≤10mΩ
 接触电阻: ≤10mΩ

X2081 W V - 2xXX - N0 SN
 ① ② ③ ④ ⑤ ⑥

1. Series No
2. Category: W-Wafer
3. Welding Board Angle: V-Stright 180°
4. Row No. Pin No: 2xXX-2X05~2x20P
5. Material: N0-PA66 UL94V-0
6. Plating: SN-Bright Tin Plated



PCB LAYOUT

Poles	Dimensions(mm)				Poles	Dimensions(mm)			
	A	B	C	D		A	B	C	D
2x05	12.00	8.00	10.70	7.30	2x13	28.00	24.00	26.70	7.30
2x06	14.00	10.00	12.70	9.20	2x14	30.00	26.00	28.70	9.20
2x07	16.00	12.00	14.70		2x15	32.00	28.00	30.70	
2x08	18.00	14.00	16.70		2x16	34.00	30.00	32.70	
2x09	20.00	16.00	18.70		2x17	36.00	32.00	34.70	
2x10	22.00	18.00	20.70		2x18	38.00	34.00	36.70	
2x11	24.00	20.00	22.70		2x19	40.00	36.00	38.70	
2x12	26.00	22.00	24.70		2x20	42.00	38.00	40.70	

X2081WV-2xXX-N0SN	PA66	Brass	X2081H
PART NO	Material	Material(Pin)	Suitable XKB Housing

DSND	SCALE: N/A	MODEL TYPE: 2.0mm Crimp Style Connector
DWN	VIEW:	PART NO.: X2081WV-2xXX-N0SN
CHKD	UNIT: mm/in	DWG NO.: X-X2081WV-2xXX-N0SN
APPD	SIZE: A4	WEIGHT SHEET REVISION



XKB INDUSTRIAL PRECISION CO., LIMITED

WEIGHT	SHEET	REVISION
	1/1	A0

ANGLAR	±5°
L ≤ 4	±0.2
4 < L ≤ 16	±0.3
16 < L ≤ 63	±0.4
L > 63	±0.5

UNSPECIFIED TOLERANCES

广东星坤科技股份有限公司

4x	日期
4x	日期
4x	日期

文件工程草

MARK	DESCRIPTION	DATE	REVISED	APPROVED
------	-------------	------	---------	----------

REVISIONS