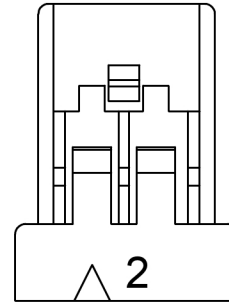
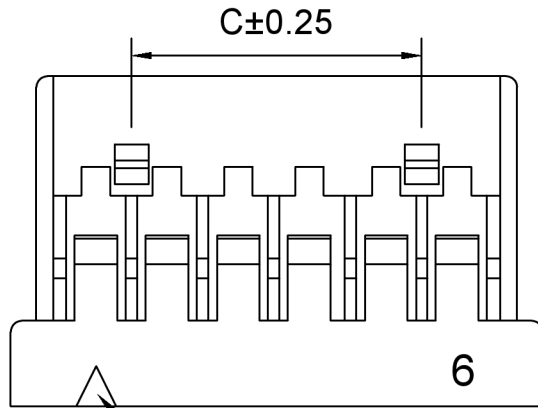
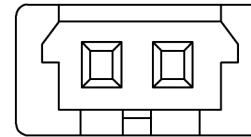


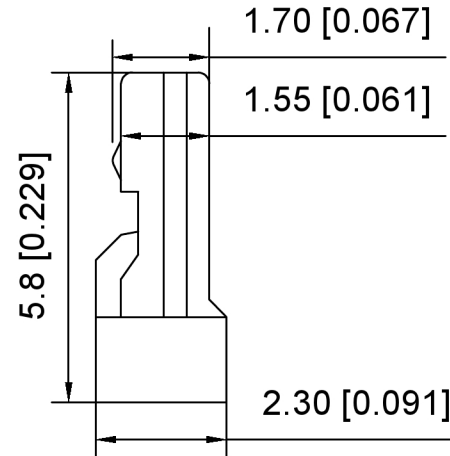
03P~30P



02P



Circuit 1



Specifications:

规格:

Voltage rating:150V AC/DC

额定电压: 150V AC/DC

Current rating:1A AC/DC

额定电流: 1A AC/DC

Withstanding voltage:500V AC/minute

耐受电压: 500V AC/分钟

Temperature range:-25°C~+85°C

温度范围: -25°C~+85°C

Insulation resistance:500MΩ min

绝缘电阻: 500MΩ Min

Contact resistance:30mΩ Max

接触电阻: 30mΩ Max

X9862 H -XX - N0



1.Series No

2.Category:H-HSG

3.Row No.Pin No:XX-02P-30P

4.Material:N0-Nylon66

UL 94V-0 Grey

Poles	DIM		
	A	B	C
02	1.25	4.35	/
03	2.50	5.60	1.25
04	3.75	6.85	2.50
05	5.00	8.10	3.75
06	6.25	9.35	5.00
07	7.50	10.60	6.25
08	8.75	11.85	7.50
09	10.00	13.10	8.75
10	11.25	14.35	10.00
11	12.50	15.60	11.25
12	13.75	16.85	12.50
13	15.00	18.10	13.75
14	16.25	19.35	15.00
15	17.50	20.60	16.25
20	23.75	26.85	22.50
25	30.00	33.10	28.75
30	36.25	39.35	35.00

X9862H-XX-N0	Nylon 66	X9862W	X9862T
PART NO	Material	Suitable XKB Wafer	Suitable XKB Terminal

DSND	SCALE: N/A	MODEL TYPE: 1.25mm Crimp Style Connector
DWN	VIEW:	PART NO.: X9862H-XX-N0
CHKD	UNIT: mm/in	DWG NO.: X-X9862H-XX-N0
APPD	SIZE: A4	



XKB INDUSTRIAL PRECISION CO.,LIMITED

WEIGHT	SHEET	REVISION
	1/1	A0

广东星坤科技股份有限公司

Δx	日期
Δx	日期
Δx	日期
MARK	DESCRIPTION

文件工程章

REVISIONS	DATE	REVISED	APPROVED	UNSPECIFIED TOLERANCES
ANGLAR				±5°
L≤ 4				±0.2
4<L≤ 16				±0.3
16<L≤ 63				±0.4
L> 63				±0.5

www.helloxkb.com www.helloxkb.cn www.xk-dg.cn