

- 规格书 -

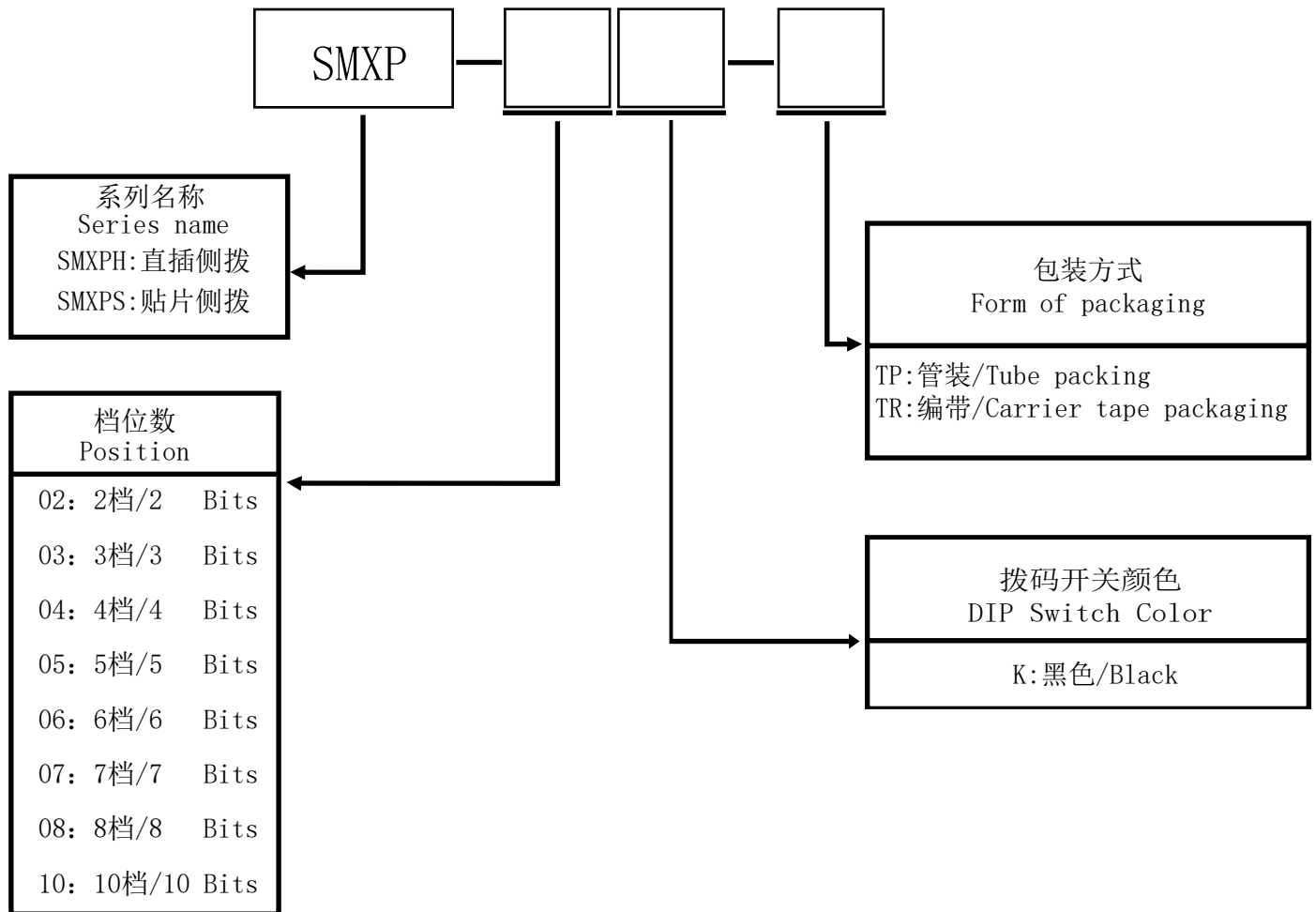
产品型号： SMXP系列

产品名称： 拨码开关

SM SWITCH CO.,LTD

Add : 江苏省无锡市新吴区弘毅路8号金帛座706室
韩国京畿道富川市三鹊路22号富川科技园103-506栋
TEL : +86-510-8591-9217
H. P : 138-6177-3466
E-mail : SMSWITCH@SIMAOKJ.COM
Web : WWW.SIMAOKJ.CN

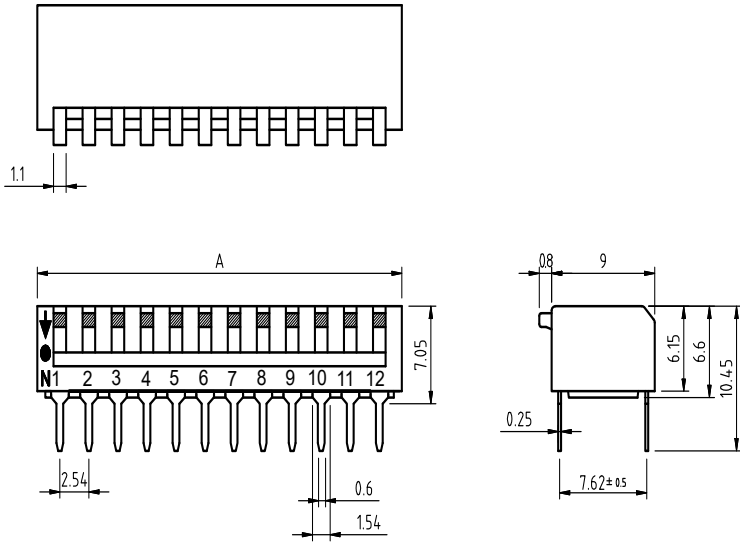
► Type selection table description.



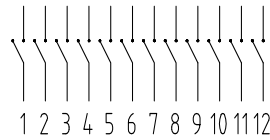
- Please check the type of switch according to the type specification.

➤ Outline Dimensions

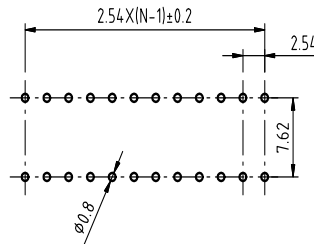
◆ SMXPH-□-□-□



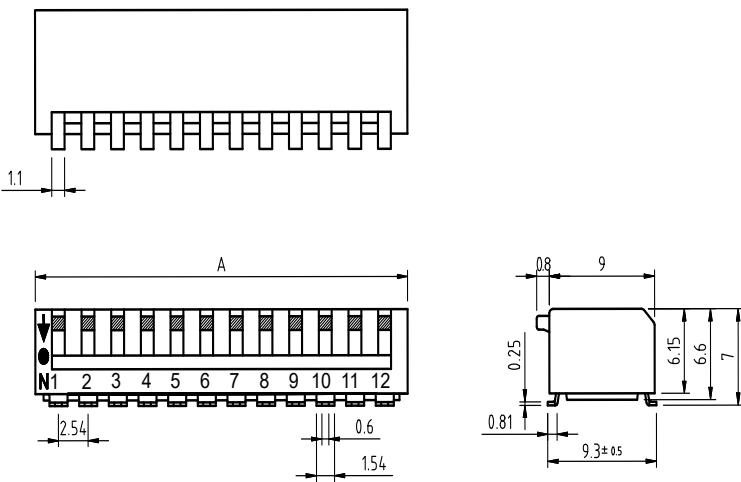
◆ SCHEMATIC



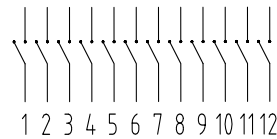
◆ P. C. B LAYOUT



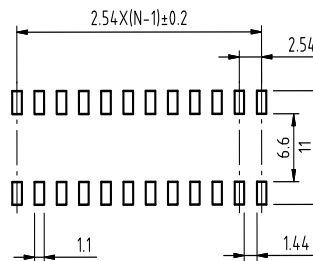
◆ SMXPS-□-□-□



◆ SCHEMATIC



◆ P. C. B LAYOUT



| Poles(N) | A (mm) |
|----------|--------|
| 02 | 6.48 |
| 03 | 9.02 |
| 04 | 11.56 |
| 05 | 14.10 |
| 06 | 16.64 |
| 07 | 19.18 |
| 08 | 21.72 |
| 10 | 26.80 |

➤ Material Description

| | |
|-----------------------|------------------------------|
| 拨柄/ACTUATOR | PA46 UL 94V-0 |
| 外壳/COVER | PPS UL 94V-0 |
| 基座/BASE | PPS UL 94V-0 |
| 接触端子/CONTACT&TERMINAL | PHOSPHOR BRONZE GOLD PLATING |
| 填充胶/TAPE | EPOXY RESIN |

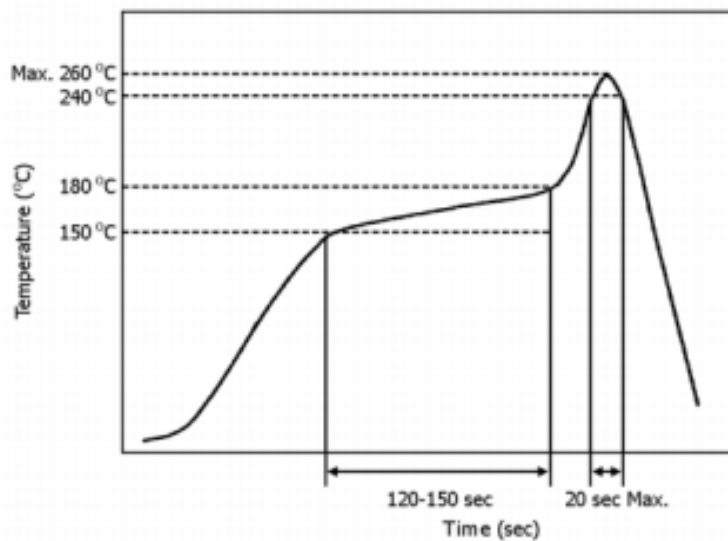
➤ Characteristics

| | |
|----------------------------|--|
| 工作温度/Operation Temperature | -30°C to +85°C |
| 储存温度/Storage Temperature | -40°C to +85°C |
| 电气寿命/ Electrical Life | 1000 cycles |
| 机械寿命/ Mechanical Life | 3000 cycles |
| 动作力 / Operation Force | 1000gf Max |
| 耐压 / Dielectric Strength | 300VDC/1 minute |
| 绝缘电阻/Insulation Resistance | 100MΩ Min at 100VDC |
| 接触电阻/Contact Resistance | Initia : 50m Ω Max After life: 100m Ω Max |
| 额定电流/Rated Current | Switching : 25mA at 24VDC Non-Switching: 100mA at 50VDC |

➤ Welding Specification

| | |
|------------------------|--|
| 波焊 /Wave Welding | 260 °C, 10sec (Peak temperature) (Please refer to the profile below) |
| 手工焊锡/ Manual Soldering | 320°C 2 sec |

回流焊 / Reflow Soldering



*Above refers to the temperature of copper foil on PCB.

PCB temperature and switch surface temperature have big difference, namely PCB material. Small size, thickness, etc. are important, so please be careful not to exceed 260°C on the switch surface.

*上述提到的情况，是指 PCB 上铜箔的温度。

有一些情况会有 PCB 的温度和开关表面的温度会有很大的不同，这和 PCB 的材质，大小，厚度等有很大的关系。因此要小心不要让开关表面的温度超过 260°C。

*Points to Note:

Auxiliary flux on PCB board, do not stick to switch body.

*处理时注意事项:

在 P.C.B 板面上助焊剂，不要沾到开关本身。