

isc N-Channel MOSFET Transistor
NDD506A
FEATURES

- Drain Current $-I_D = 19A @ T_C = 25^\circ C$
- Drain Source Voltage $-V_{DSS} = 60V(\text{Min})$
- Static Drain-Source On-Resistance
 $-R_{DS(on)} = 50m\Omega(\text{Max}) @ V_{GS} = 10V$

DESCRIPTION

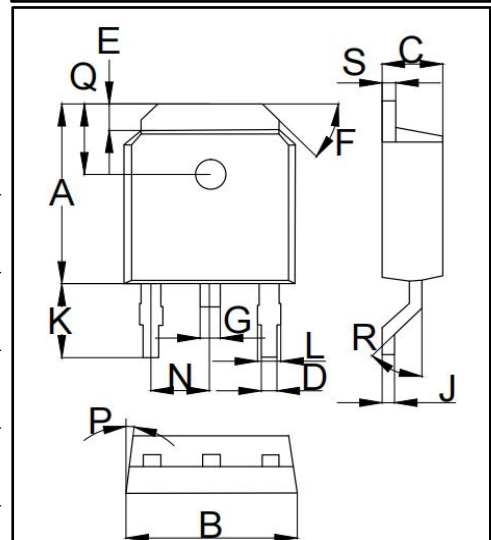
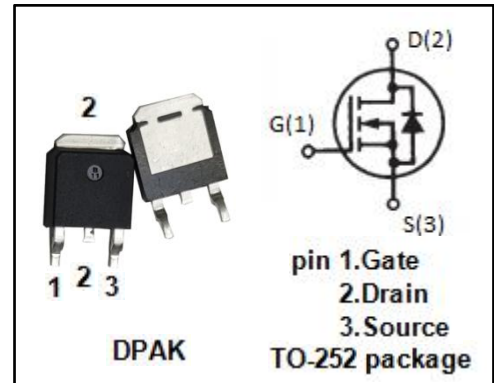
- Motor drive, DC-DC converter, power switch and solenoid drive.

ABSOLUTE MAXIMUM RATINGS($T_a = 25^\circ C$)

SYMBOL	PARAMETER	VALUE	UNIT
V_{DSS}	Drain-Source Voltage	60	V
V_{GS}	Gate-Source Voltage-Continuous	± 30	V
I_D	Drain Current-Continuous	19	A
I_{DM}	Drain Current-Single Pulse	57	A
P_D	Total Dissipation @ $T_C = 25^\circ C$	72	W
T_J	Max. Operating Junction Temperature	150	$^\circ C$
T_{stg}	Storage Temperature	-55~150	$^\circ C$

THERMAL CHARACTERISTICS

SYMBOL	PARAMETER	MAX	UNIT
$R_{th\ j-c}$	Thermal Resistance, Junction to Case	1.74	$^\circ C/W$



DIM	mm		
	MIN	TYP.	MAX
A	6.90	7.10	7.30
B	6.50	6.60	6.70
C	2.20	2.30	2.40
D	0.50	0.60	0.72
E	0.90	1.00	1.10
F	45°		
G	0.70	0.80	0.90
J	0.40	0.50	0.60
K	2.85	3.15	3.50
L	0.70	0.80	0.90
N	2.20	2.28	2.35
P	7°		
Q	2.75	2.80	2.85
R	50°		
S	0.40	0.50	0.60

isc N-Channel MOSFET Transistor

NDD506A

ELECTRICAL CHARACTERISTICS (T_C=25°C unless otherwise specified)

SYMBOL	PARAMETER	CONDITIONS	MIN	MAX	UNIT
V _{(BR)DSS}	Drain-Source Breakdown Voltage	V _{GS} = 0; I _D = 0.25mA	60	--	V
I _{DSS}	Zero Gate Voltage Drain Current	V _{DS} = 60V; V _{GS} = 0	--	1	uA
I _{GSS}	Gate-Body Leakage Current	V _{GS} = ±30V; V _{DS} = 0	--	±100	nA
V _{GS(th)}	Gate Threshold Voltage	V _{DS} = V _{GS} ; I _D = 0.25mA	2.0	4.0	V
R _{DS(on)}	Drain-Source On-Resistance	V _{GS} = 10V; I _D = 9.5A	--	50	mΩ
V _{SD}	Forward On-Voltage	I _S = 19A; V _{GS} = 0	--	1.6	V

PRODUCT DISCLAIMER

ISC reserves the rights to make changes of the content herein the datasheet at any time without notification. The information contained herein is presented only as a guide for the applications of our products.

ISC products are intended for usage in general electronic equipment. The products are not designed for use in equipment which require specialized quality and/or reliability, or in equipment which could have applications in hazardous environments, aerospace industry, or medical field. Please contact us if you intend our products to be used in these special applications.

ISC makes no warranty or guarantee regarding the suitability of its products for any particular purpose, nor does ISC assume any liability arising from the application or use of any products, and specifically disclaims any and all liability, including without limitation special, consequential or incidental damages.

It is strictly prohibited to reprint or copy part or all of this datasheet without permission from ISC.