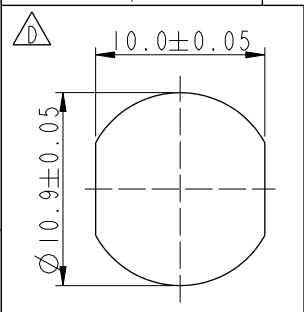
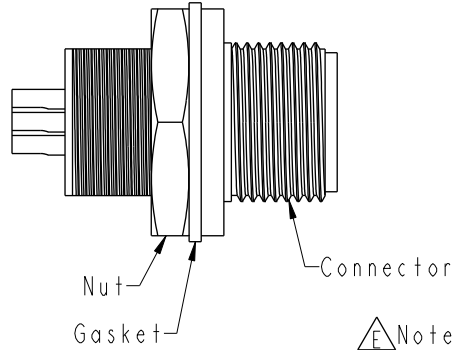
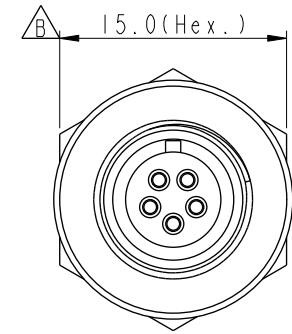
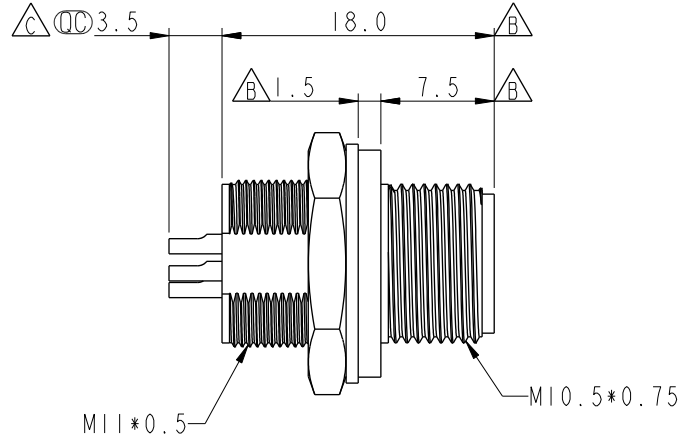
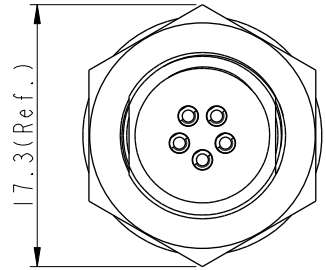


THIS DOCUMENT IS SUBJECT TO CHANGE WITHOUT NOTICE. IT IS CONFIDENTIAL AND A PROPERTY OF AMPHENOL LTW. DISCLOSURE TO THIRD PARTY HAS TO BE AUTHORIZED BY AMPHENOL LTW.

REV.	ECN NO.	DATE	SIGN	DESCRIPTION
D	LEN1630390	2016/03/18	Yulong_wang	Change Shell No.
E	C210669	2021/04/27	Vicky	△E X5
F	C221869	2022/12/02	Vicky	△E XI

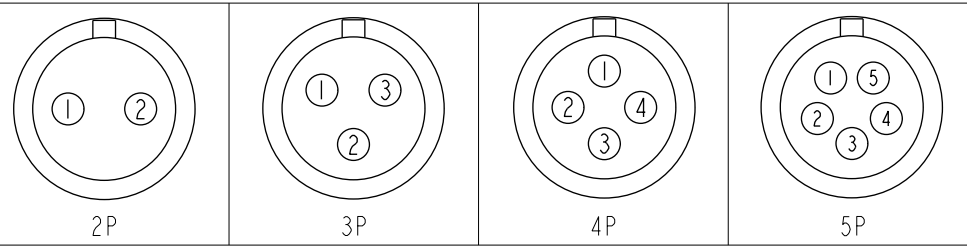


Recommended Panel Cut-Out



△E 105-XXPMFS-SC7001
XX: No. Of Pin

- △E Note:
- * RoHS Compliant
 - * Ⓞ Important dimension
 - △E * Waterproof rate: IP67, unmated Connector
 - Housing: Thermoplastic, Black
 - Pin: Copper alloy, Gold plated
 - * Shield: Metal
 - * Nut: Metal
 - * Gasket: Rubber, Black
 - * For panel thickness max: 6.0mm
 - * Gasket and nut are packed separately in pe bag



△E Pin Assignments Front View

UNIT: mm			TITLE O SEN, M10.5 RECEPTACLE, M, F, SOLDER
TOLERANCE .X ±0.25 .XX ±0.1 .XXX ±0.05 ANGLES ±1°	SCALE 2:1	SIZE A4	SHEET 1 OF 1
REV. F	WC-REV. B.2	Ⓞ: Inspection item	

Amphenol LTW
安費諾亮泰企業股份有限公司

ITEM NO	DRAWN BY Yulong_wang	DATE 2016-03-18
DWG NO △E 105-XXPMFS-SC7001	CHECKED BY Cary	DATE 2016-03-18
CUSTOMER ALTW	APPROVED BY Jerry	DATE 2016-03-18