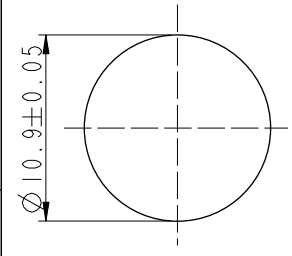
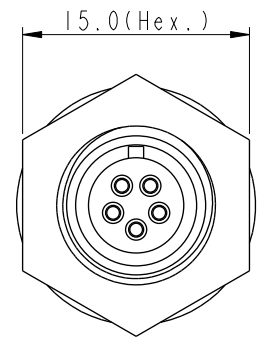
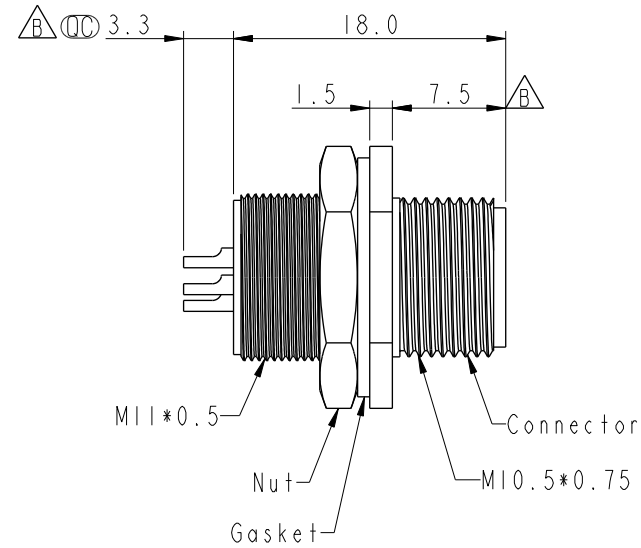
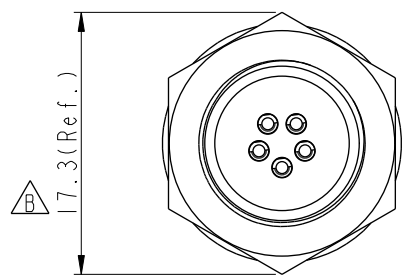


THIS DOCUMENT IS SUBJECT TO CHANGE WITHOUT NOTICE. IT IS CONFIDENTIAL AND A PROPERTY OF Amphenol LTW. DISCLOSURE TO THIRD PARTY HAS TO BE AUTHORIZED BY Amphenol LTW.

REV.	ECN NO.	DATE	SIGN	DESCRIPTION
B	LE3-910085	2009/01/16	Vicky	Update the drawing
C	C210669	2021/04/27	Vicky	△C X5
D	C221869	2022/12/02	Vicky	△D XI



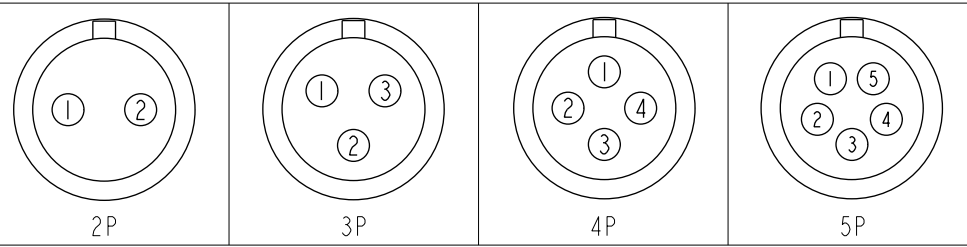
Recommended Panel Cut-Out



△C 105-XXPMFS-SH7001

XX: No. Of Pin

- △C Note:
- * RoHS Compliant
 - * (C) Important dimension
 - △D * Waterproof rate: IP67, unmated
 - * Connector Housing: Thermoplastic, Black
 - * Pin: Copper alloy, Gold plated
 - * Shield: Metal
 - * Nut: Metal
 - * Gasket: Rubber, Black
 - * For panel thickness max: 6.0mm
 - * Gasket and nut are packed separately in pe bag



△C Pin Assignments Front View

UNIT: mm			TITLE O SEN, M10.5 RECEPTACLE, M, F, SOLDER
TOLERANCE .X ±0.25 .XX ±0.1 .XXX ±0.05 ANGLES ±1°	SCALE 2:1	SIZE A4	SHEET 1 OF 1
REV. D	WC-REV. A.3	△C △C Inspection item	

Amphenol LTW
安費諾亮泰企業股份有限公司

ITEM NO.	DRAWN BY Vicky	DATE 2009-01-16
DWG NO. △C 105-XXPMFS-SH7001	CHECKED BY Ivan	DATE 2009-01-16
CUSTOMER ALTW	APPROVED BY Luke	DATE 2009-01-16