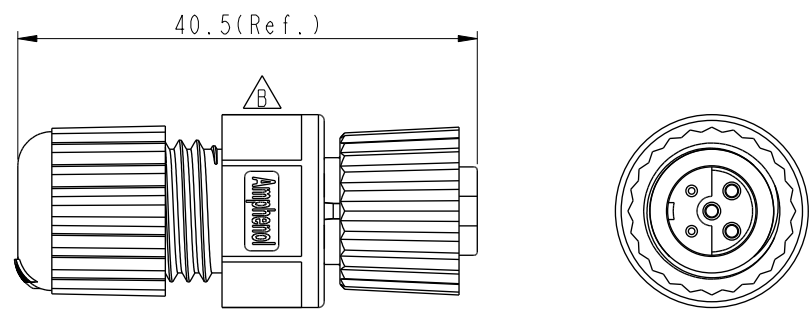
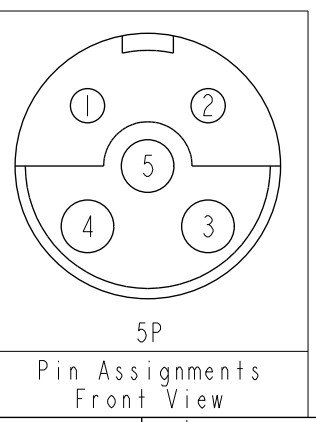
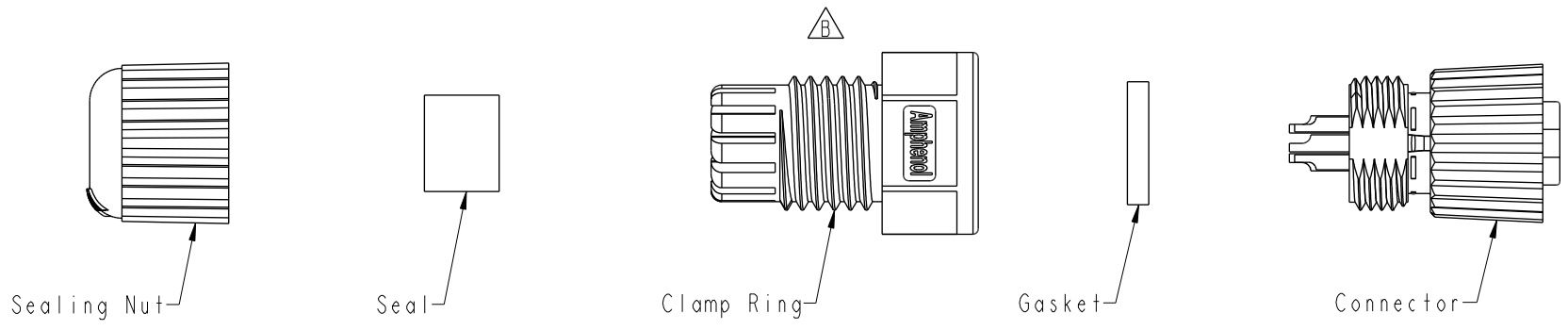


THIS DOCUMENT IS SUBJECT TO CHANGE WITHOUT NOTICE. IT IS CONFIDENTIAL AND A PROPERTY OF Amphenol LTW. DISCLOSURE TO THIRD PARTY HAS TO BE AUTHORIZED BY Amphenol LTW.

REV.	ECN NO.	DATE	SIGN	DESCRIPTION
B	LEN1480609	2014/08/12	Rita	Update Logo
C	C210561	2021/04/08	Vicky	$\triangle C$ X4

$\triangle C$  I2P-XXBFIA-SL8001  
XX: No. Of Pin



- $\triangle C$  Note:
- \* RoHS Compliant
  - \*  $\text{\textcircled{C}}$  Important Dimension
  - \* Waterproof rate: IPX8, mated 1m/24h
  - \* Connector
    - Housing: Thermoplastic, Black
    - Pin: Copper alloy, Gold plated
    - Extension Nut: Thermoplastic, Black
    - Nut: Thermoplastic, Black
    - O-Ring: Rubber, Green
  - \* Gasket: Rubber, Black
  - \* Clamp Ring: Thermoplastic, Black
  - \* Sealing Nut: Thermoplastic, Black
  - \* Seal: Rubber, Black, OD:  $\varnothing 4.5\text{mm} \sim \varnothing 6.5\text{mm}$
  - \* One set unassembled in one pe bag

UNIT: mm	$\text{\textcircled{C}}$	TITLE O SEN, M12 A -PLASTIC(I) CABLE W/O SR, F, I, FI SOLDER	$\triangle C$
TOLERANCE .X $\pm 0.25$ .XX $\pm 0.1$ .XXX $\pm 0.05$ ANGLES $\pm 1^\circ$	SCALE 3:2	SIZE A4	SHEET 1 OF 1
REV. C	WC-REV. A.4	$\text{\textcircled{C}}$ : Inspection item	

**Amphenol LTW**  
安費諾亮泰企業股份有限公司

ITEM NO	DRAWN BY Rita	DATE 2014-08-12
DWG NO $\triangle C$ I2P-XXBFIA-SL8001	CHECKED BY Kris	DATE 2014-08-12
CUSTOMER ALTW	APPROVED BY Wenmao	DATE 2014-08-12