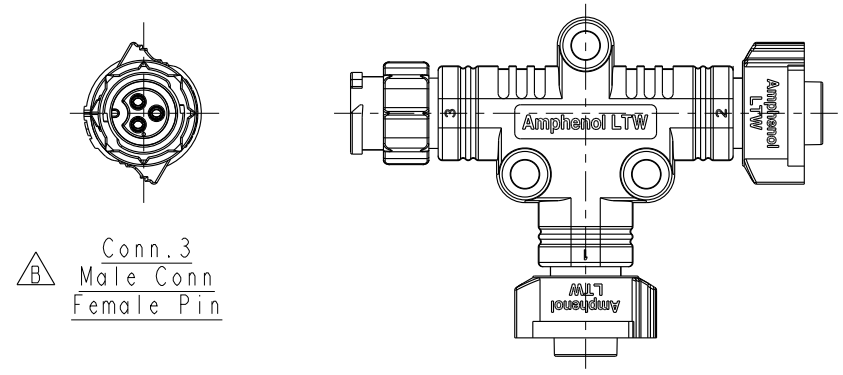
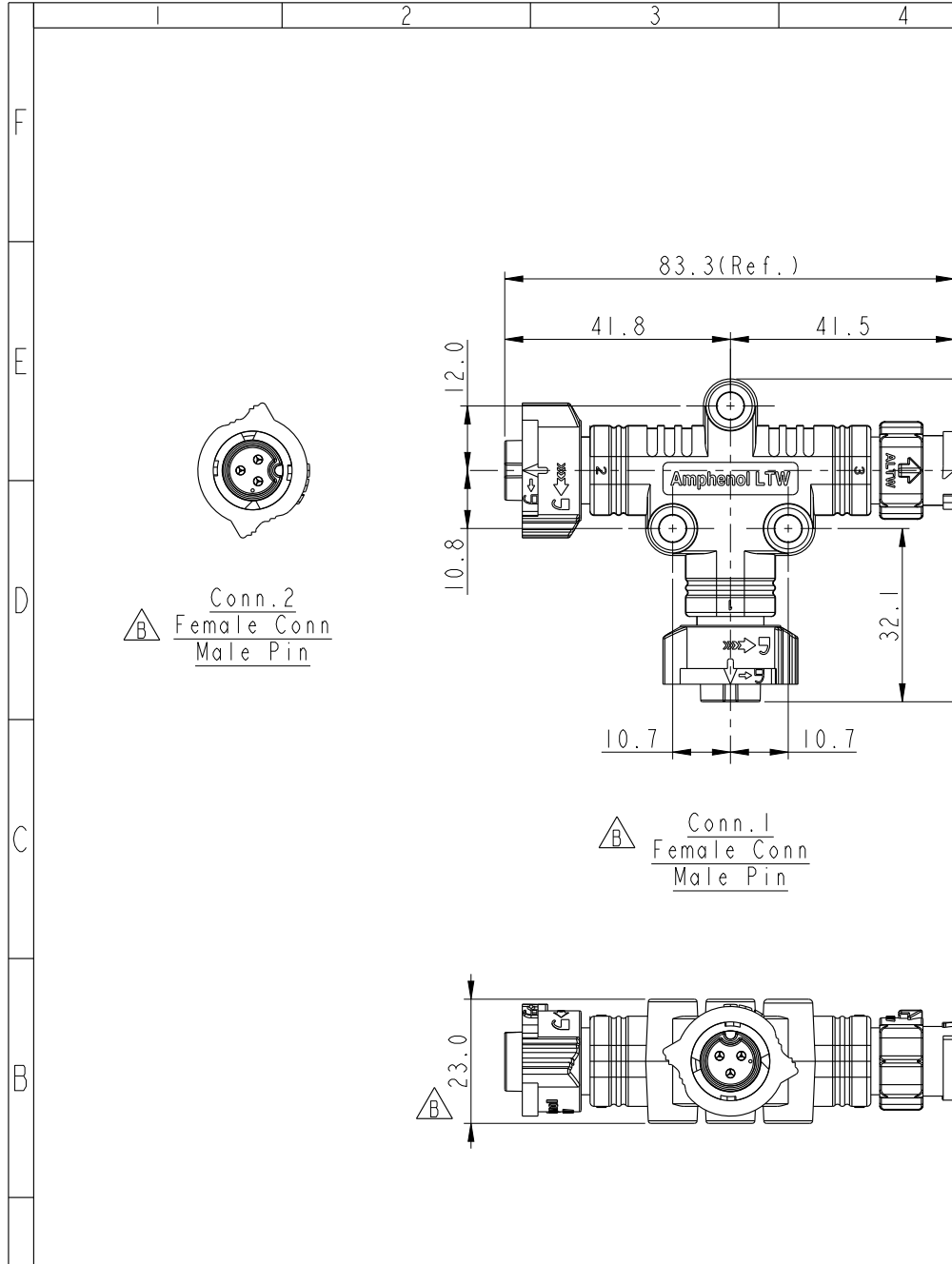


THIS DOCUMENT IS SUBJECT TO CHANGE WITHOUT NOTICE. IT IS CONFIDENTIAL AND A PROPERTY OF Amphenol LTW. DISCLOSURE TO THIRD PARTY HAS TO BE AUTHORIZED BY Amphenol LTW.

REV.	ECN NO.	DATE	SIGN	DESCRIPTION
B	C191866	2019-11-06	Ouyang	△ X7



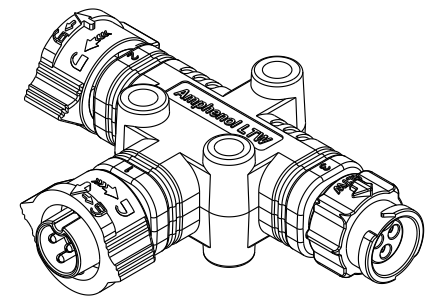
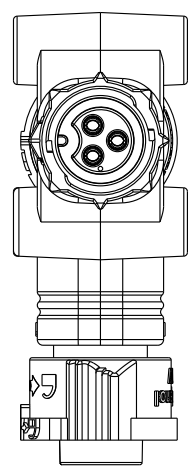
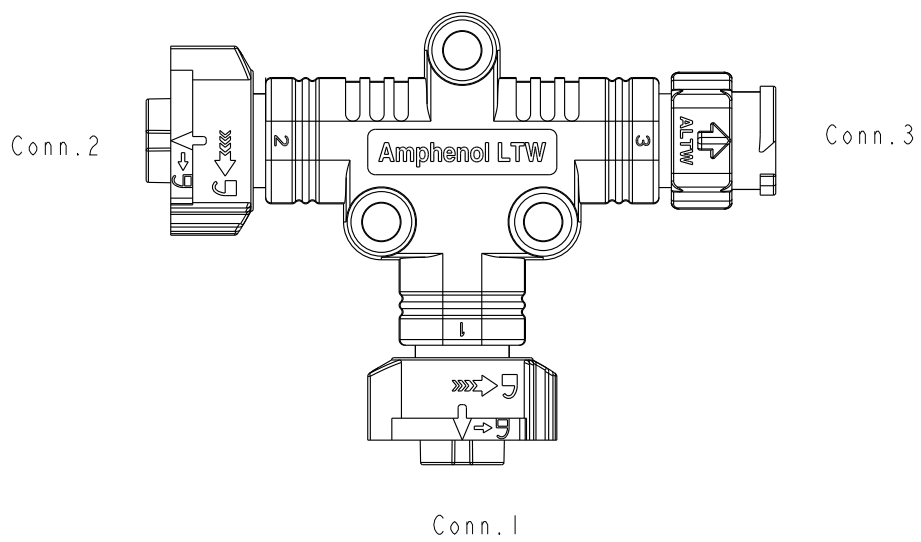
Note:
 * Waterproof Rate: IP68(1M/24Hours)
 * Conn.3 (Male Conn.)
 Housing: Thermoplastic.
 Pin: Copper Alloy.
 * Conn.1 & Conn.2 (Female Conn.)
 Housing: Thermoplastic.
 Pin: Copper Alloy.
 Nut: Thermoplastic.
 * Wire Harness: UL1007 16Awg.

UNIT:mm TOLERANCE ±0.5mm		TITLE T Adaptor X-Lok, B Size		ITEM NO		DRAWN BY Ouyang		DATE 2019-07-30		
		SCALE 1:1	SIZE A4	SHEET 1	OF 2	DWG NO AB-BB-XXXXXX-BBH-T001		CHECKED BY Jerry		DATE 2019-07-30
		REV. B	WC-REV. .0	QC: Inspection item		CUSTOMER ALTW		APPROVED BY Fred		DATE 2019-07-30

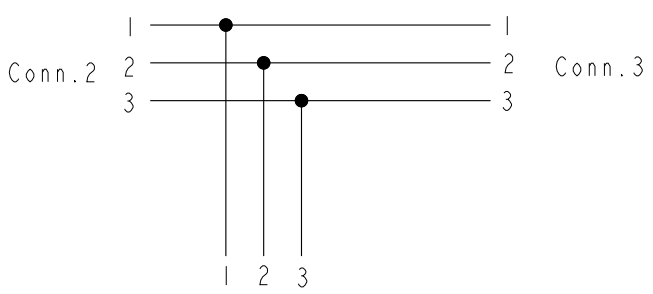
Amphenol LTW
 安費諾亮泰企業股份有限公司

THIS DOCUMENT IS SUBJECT TO CHANGE WITHOUT NOTICE. IT IS CONFIDENTIAL AND A PROPERTY OF Amphenol LTW. DISCLOSURE TO THIRD PARTY HAS TO BE AUTHORIZED BY Amphenol LTW.

△B



△B



AB-BB-XXXXXX-BBH-TQ001

Connector Type:

- △B 02: 2Pin
- 03: 3Pin

Pin Assignment Front View

	Pin Assignment Front View			
	2pin	3pin		
Male				
Female				
Pin Out	Pin#	Color	Pin#	Color
	Pin1 Pin3	Red(紅) Black(黑)	Pin1 Pin2 Pin3	Red(紅) Brown(棕) Black(黑)

Connection Diagram

UNIT:mm

TOLERANCE
±0.5mm

TITLE
T Adaptor X-Lok, B Size

SCALE 1:1 SIZE A4 SHEET 2 OF 2

REV. B WC-REV. .0 Inspection item

Amphenol LTW
安費諾亮泰企業股份有限公司

ITEM NO	DRAWN BY	DATE
DWG NO	CHECKED BY	DATE
CUSTOMER	APPROVED BY	DATE

AB-BB-XXXXXX-BBH-TQ001

ALTW

Ouyang
Jerry
Fred

2019-07-30
2019-07-30
2019-07-30