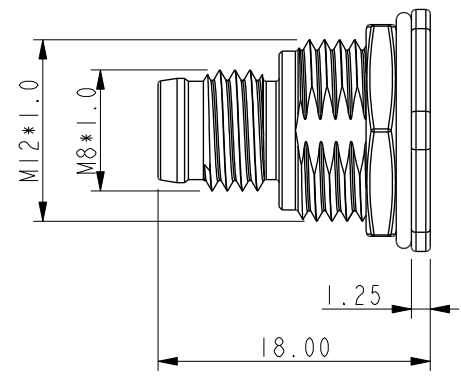
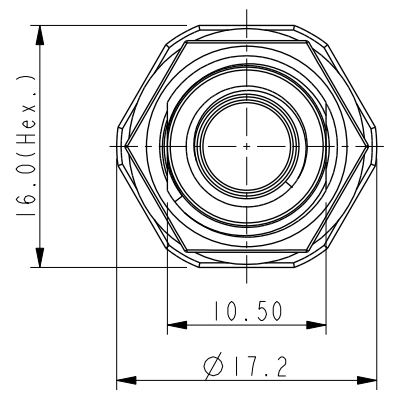
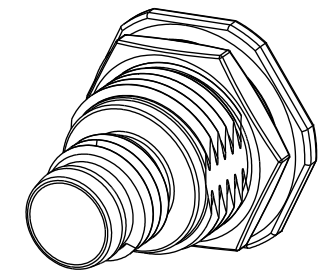
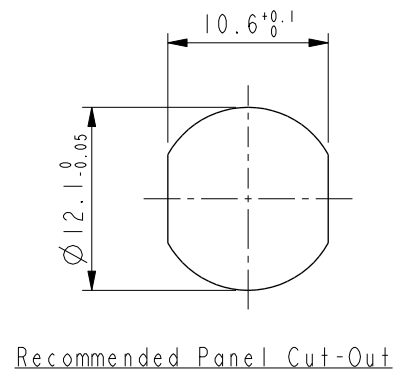
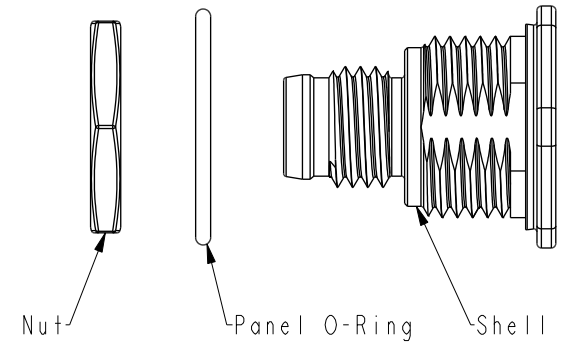


THIS DOCUMENT IS SUBJECT TO CHANGE WITHOUT NOTICE. IT IS CONFIDENTIAL AND A PROPERTY OF Amphenol LTW. DISCLOSURE TO THIRD PARTY HAS TO BE AUTHORIZED BY Amphenol LTW.

REV.	ECN NO.	DATE	SIGN	DESCRIPTION
A		2021-05-19	Allen Pan	Rev.02 To Rev.A



- Note:
- Ⓞ Important Dimension
 - Shell: Metal
 - Nut: Metal
 - Panel O-Ring: Rubber, Gray
 - For Panel Thickness Max: 4.5mm
 - Recommended Nut Torque: 4~6kgf.cm
 - O-Ring and nut are packed separately in PE bag

UNIT: mm		
TOLERANCE	.X ±0.25	
.XX ±0.1		
.XXX ±0.05		
ANGLES	±1°	

TITLE M8 SMT Male Front Fastened Hexagonal Nut Package			
SCALE 2:1	SIZE A4	SHEET 1 OF 1	
REV. A	WC-REV. A.1	Ⓞ Inspection item	

Amphenol LTW
安費諾亮泰企業股份有限公司

ITEM NO. APPM-AAAMA008-003	DRAWN BY Allen Pan	DATE 2021-05-19
DWG NO. APPM-AAAMA008-003	CHECKED BY Sam Ho	DATE 2021-05-19
CUSTOMER ALTW	APPROVED BY Fred Lee	DATE 2021-05-19