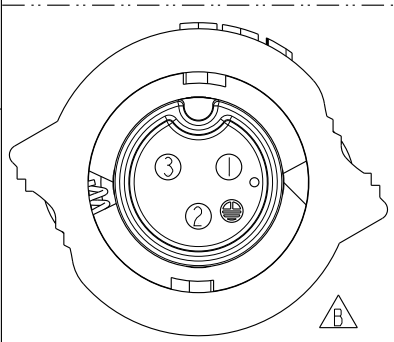
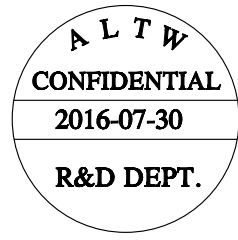
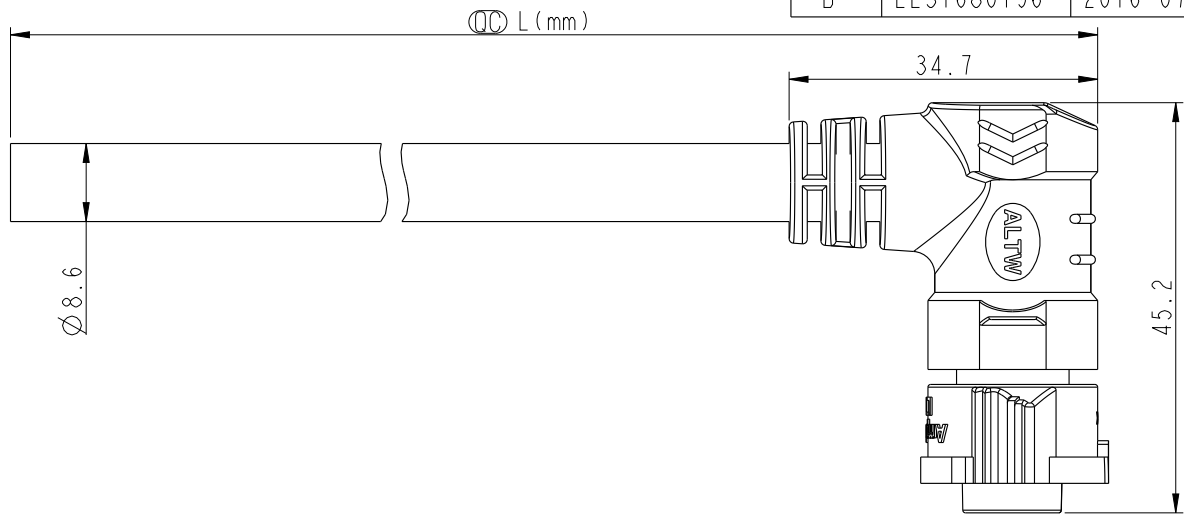


THIS DOCUMENT IS SUBJECT TO CHANGE WITHOUT NOTICE. IT IS CONFIDENTIAL AND A PROPERTY OF AMPHENOL LTW. DISCLOSURE TO THIRD PARTY HAS TO BE AUTHORIZED BY AMPHENOL LTW.

REV.	ECN NO.	DATE	SIGN	DESCRIPTION
B	LE31680196	2016-07-30	Tom Gu	Change Part No. of Half Finished



Pin Assignments  
Front View



3	White	白
2	Green	綠
1	Black	黑
Conn.	Wire Color	
	Pin Out	

BB-03AFMM-QR8EXX

- XX : 01~99Meters
- 01 : 01Meter
- 02 : 02Meters
- ...
- 99 : 99Meters

- Note:
- \*  $\varnothing$  Important Dimension To Check.
  - \* Waterproof Rate: IP68(Mated)  
(In 1 meter water within 24 hours)
  - \* Working Voltage Rating: AC 300 V
  - \* Working Current Rating: 10A
  - \* Housing: Nylon+GF, Black.
  - \* Male Pin: Copper Alloy, Gold Plated.
  - \* Rubber: Silicon, Gray
  - \* Cable: SJTW 16AWG\*3C + Filler  
PVC Jacket UV Resistant, OD=8.6, Black.
  - \* Cable Length Tolerance: 01M:±40mm  
02M~05M:±60mm  
06M~10M:±100mm  
11M~30M:±200mm  
31M~99M:±500mm

UNIT:mm TOLERANCE ±0.5	TITLE X-Lok B-Size (Power) Molding F Conn M 3 Pin			Amphenol LTW 安費諾亮泰企業股份有限公司	ITEM NO	DRAWN BY Tom Gu	DATE 2016-07-30
	SCALE 6:5	SIZE A4	SHEET 1 OF 1		DWG NO BB-03AFMM-QR8EXX	CHECKED BY Spring Liu	DATE 2016-07-30
	REV. B	WC-REV. A.1	QC: Inspection item		CUSTOMER ALTW	APPROVED BY Kevin Hu	DATE 2016-07-30