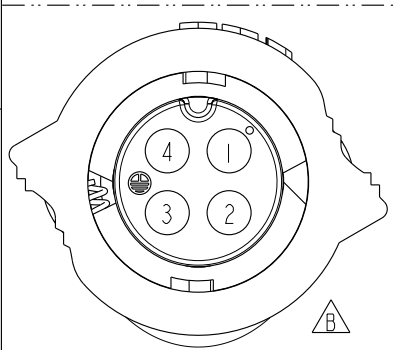
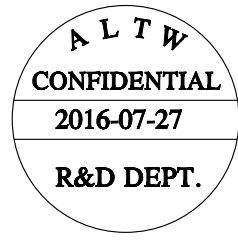
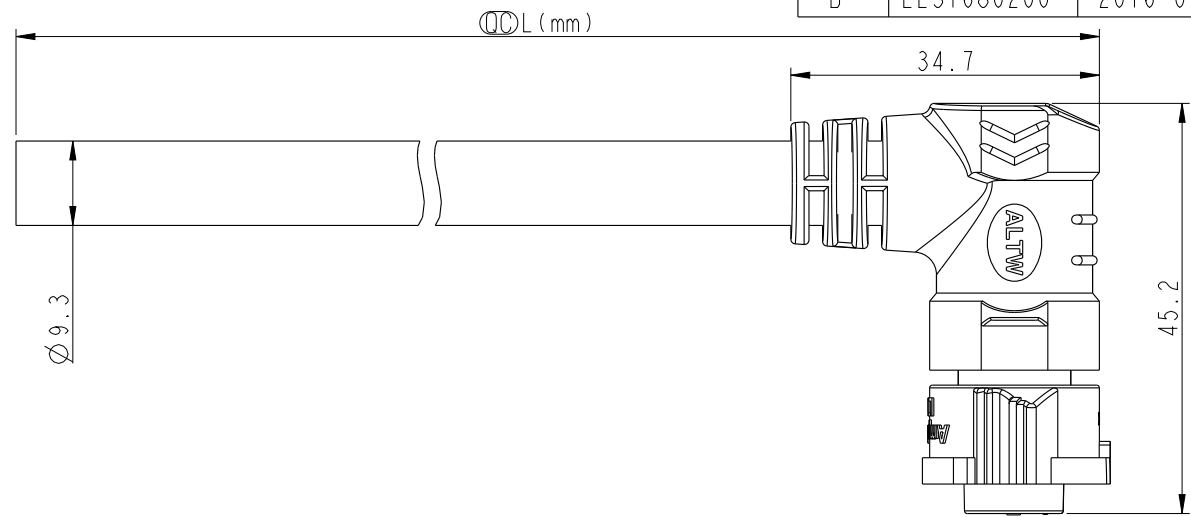


THIS DOCUMENT IS SUBJECT TO CHANGE WITHOUT NOTICE. IT IS CONFIDENTIAL AND A PROPERTY OF AMPHENOL LTW. DISCLOSURE TO THIRD PARTY HAS TO BE AUTHORIZED BY AMPHENOL LTW.

REV.	ECN NO.	DATE	SIGN	DESCRIPTION
B	LE31680200	2016-07-27	Tom Gu	Change Part No. of Half Finished



Pin Assignments  
Front View



4	Red	紅
3	Green	綠
2	White	白
1	Black	黑
Conn.	Wire Color	
	Pin Out	

BB-04AFFM-QR8EXX

- XX : 01~99Meters
- 01 : 01Meter
- 02 : 02Meters
- ...
- 99 : 99Meters

- Note:
- \*  $\varnothing$  Important Dimension To Check.
  - \* Waterproof Rate: IP68(Mated)  
(In 1 meter water within 24 hours)
  - \* Working Voltage Rating: AC 300 V
  - \* Working Current Rating: 10A
  - \* Housing: Nylon+GF, Black.
  - \* Female Pin: Copper Alloy, Gold Plated.
  - \* Rubber: Silicon, Gray
  - \* Cable: SJTW 16AWG\*4C PVC Jacket  
UV Resistant, OD=9.3, Black.
  - \* Cable Length Tolerance: 01M:±40mm  
02M~05M:±60mm  
06M~10M:±100mm  
11M~30M:±200mm  
31M~99M:±500mm

UNIT:mm	
TOLERANCE	±0.5

TITLE X-Lok B-Size (Power) Molding F Conn F 4 Pin			
SCALE 6:5	SIZE A4	SHEET 1 OF 1	
REV. B	WC-REV. A.1	$\varnothing$ : Inspection item	

**Amphenol LTW**  
安費諾亮泰企業股份有限公司

ITEM NO	DRAWN BY Tom Gu	DATE 2016-07-27
DWG NO BB-04AFFM-QR8EXX	CHECKED BY Spring Liu	DATE 2016-07-27
CUSTOMER ALTW	APPROVED BY Kevin Hu	DATE 2016-07-27