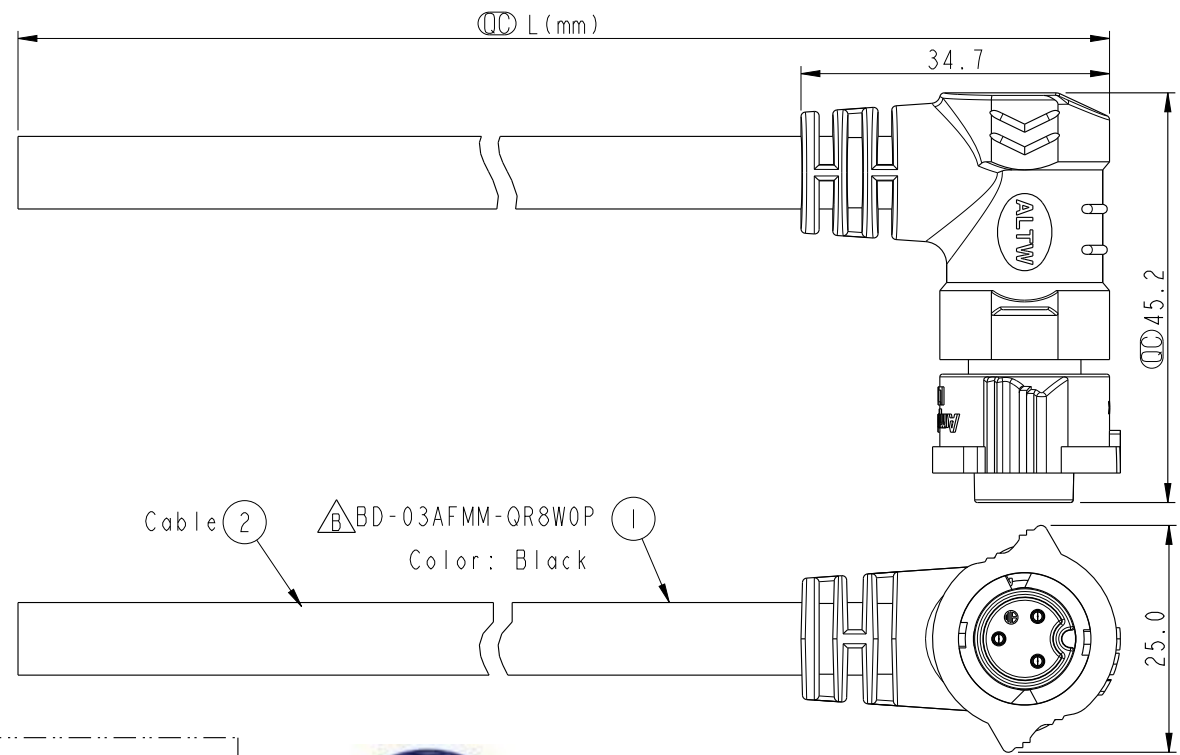


THIS DOCUMENT IS SUBJECT TO CHANGE WITHOUT NOTICE. IT IS CONFIDENTIAL AND A PROPERTY OF AMPHENOL LTW. DISCLOSURE TO THIRD PARTY HAS TO BE AUTHORIZED BY AMPHENOL LTW.

REV.	ECN NO.	DATE	SIGN	DESCRIPTION
B	LE31680205	2016-07-18	Tom Gu	Change Part No. of Half Finished

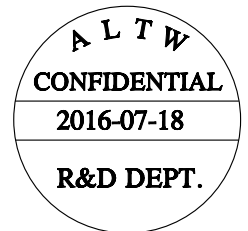
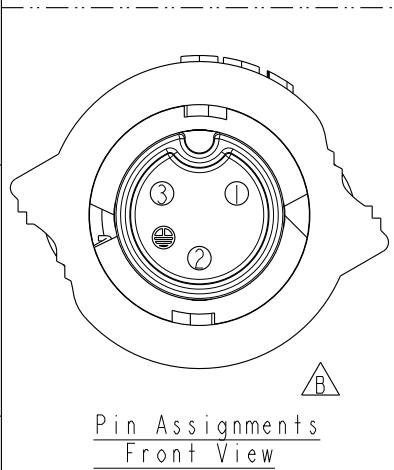


BD-03AFMM-QR8EXX

XX : 01~99Meters
 01 : 01Meter
 02 : 02Meters
 ...
 99 : 99Meters

Cable Length(L): 01~99Meters

Cable ② △BD-03AFMM-QR8WOP ①
 Color: Black



3	White	白
2	Green	綠
1	Black	黑
Conn.	Wire Color	
	Pin Out	

- Note:
- * Ⓞ Important Dimension To Check.
 - * Waterproof Rate: IP68 (Mated)
(in 1 meter water within 24 hours)
 - * Working Voltage Rating: AC 300 V
 - * Working Current Rating: 5A
 - * Housing: Nylon+GF, Black.
 - * Male Pin: Copper Alloy, Gold Plated.
 - * Rubber: Silicone, Gray
 - * Cable: SJTW 18AWG*3C + Filler
PVC Jacket UV Resistant, OD=8.0, Black.
 - * Cable Length Tolerance: 01M±:40mm
 02M~05M:±60mm
 06M~10M:±100mm
 11M~30M:±200mm
 31M~99M:±500mm

UNIT:mm	
TOLERANCE	±0.5

TITLE X-Lok B-Size (Power) Molding F Conn M 3 Pin			
SCALE 6:5	SIZE A4	SHEET 1 OF 1	
REV. B	WC-REV. A.1	Ⓞ: Inspection item	

Amphenol LTW
 安費諾亮泰企業股份有限公司

ITEM NO	DRAWN BY Tom Gu	DATE 2016-07-18
DWG NO BD-03AFMM-QR8EXX	CHECKED BY Spring Liu	DATE 2016-07-18
CUSTOMER ALTW	APPROVED BY Kevin Hu	DATE 2016-07-18