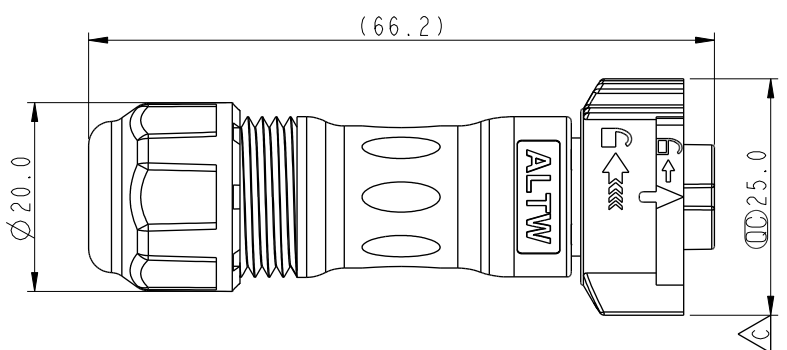
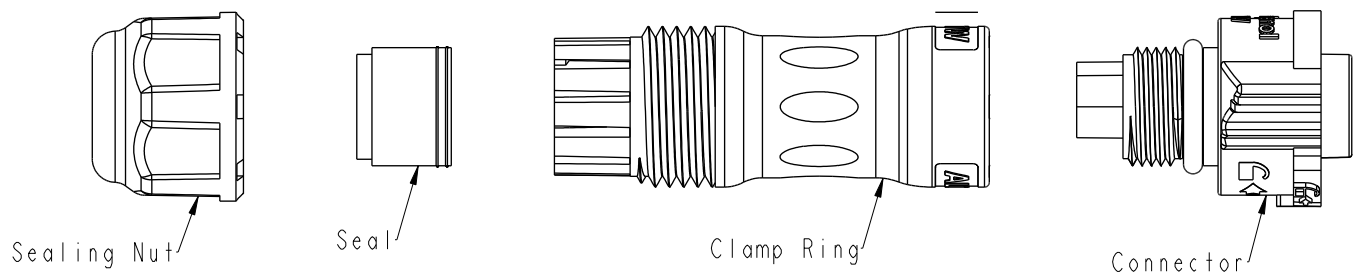


THIS DOCUMENT IS SUBJECT TO CHANGE WITHOUT NOTICE. IT IS CONFIDENTIAL AND A PROPERTY OF AMPHENOL LTW. DISCLOSURE TO THIRD PARTY HAS TO BE AUTHORIZED BY AMPHENOL LTW.

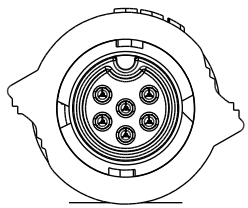
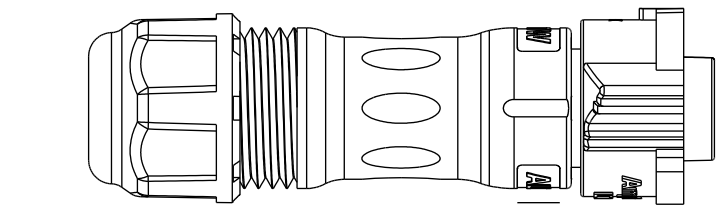
REV.	ECN NO.	DATE	SIGN	DESCRIPTION
B	C191299	2019/07/26	Jane	Update Ordering Information
C	C192023	2019/11/20	Vicky	△ X4
D	C200637	2020/05/11	Victor Hung	△ X2



BD-XXBFMA-QL8XP0

- 02-2Pin
- 03-3Pin
- 04-4Pin
- 05-5Pin
- 06-6Pin

- S: With Red Color Seal 1, Cable OD 5.0~6.0mm.
- M: With Yellow Color Seal 2, Cable OD 6.0~8.0mm.
- L: With Blue Color Seal 3, Cable OD 8.0~10.0mm.
- A: With Seal 1 & Seal 2 & Seal 3.



Pin Assignments Front View	2 Pin	3 Pin	4 Pin	5 Pin	6 Pin

- △ Note:
- * ∅ Important Dimension
 - * Waterproof Rate: IP68, Mated IP68: 1M Depth Of Water In 24hours
 - * Housing: Thermoplastic, Black
 - * Pin: Copper Alloy, Gold Plated
 - * Clamp Ring: Thermoplastic, Black
 - * Sealing Nut: Thermoplastic, Black
 - * Seals: Rubber

UNIT:mm		TITLE	XLOK, B-5A, CABLE W/O SR F, M, FI CRIMP, XLOK		<h1>Amphenol LTW</h1> <p>安費諾亮泰企業股份有限公司</p>	ITEM NO	DRAWN BY	DATE								
TOLERANCE	±0.5mm	SCALE	1:1	SIZE		A4	SHEET	1	OF	1	CUSTOMER	ALTW	APPROVED BY	Max Yang	DATE	2020/05/11
REV.	D	WC-REV.	.0	QC		Inspection item	DWG NO	BD-XXBFMA-QL8XP0	CHECKED BY	Aric Ko	DATE	2020/05/11				