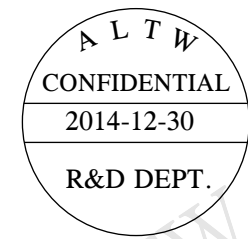
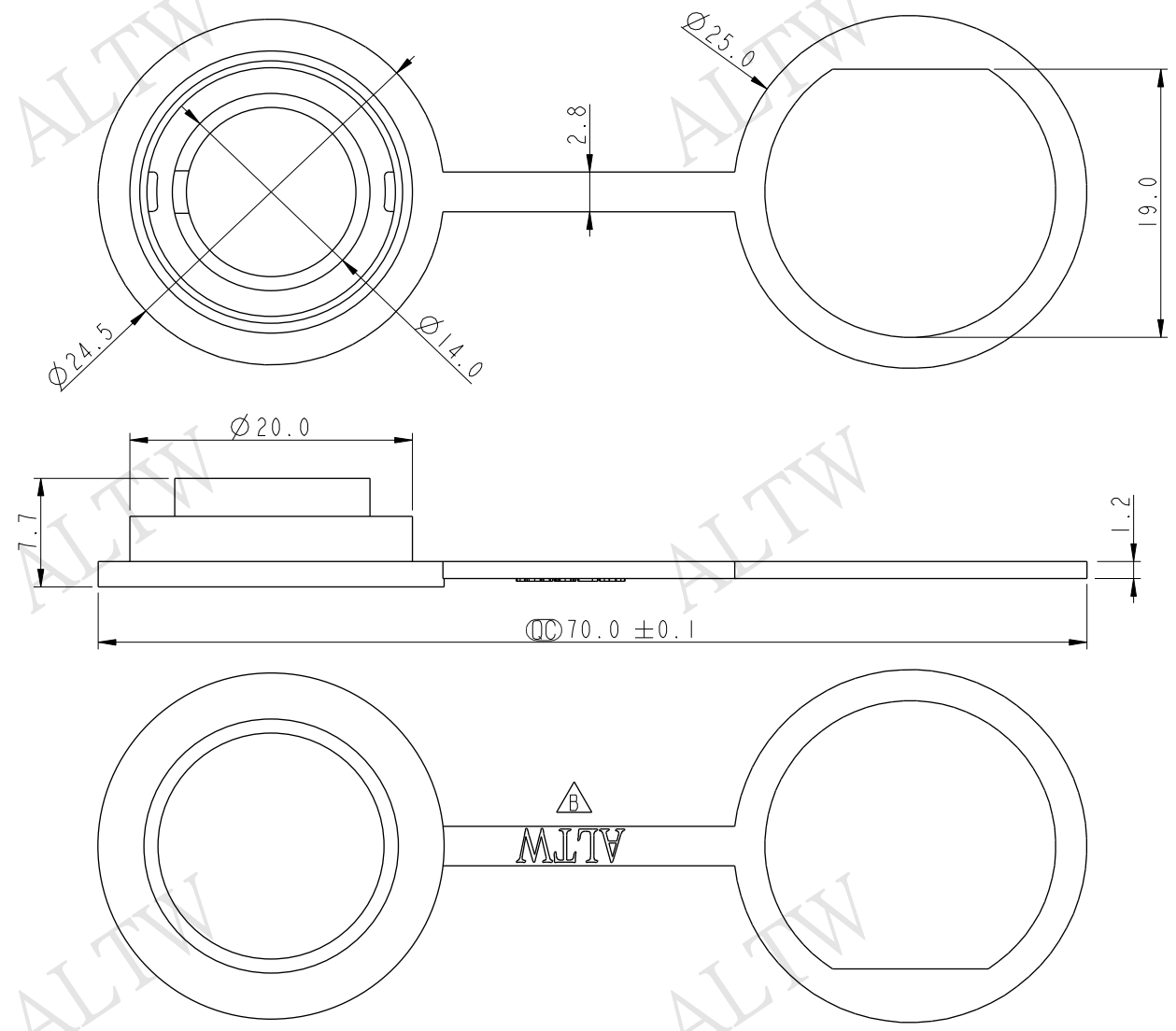


THIS DOCUMENT IS SUBJECT TO CHANGE WITHOUT NOTICE. IT IS CONFIDENTIAL AND A PROPERTY OF LTW. DISCLOSURE TO THIRD PARTY HAS TO BE AUTHORIZED BY LTW.

REV.	ECN NO.	DATE	SIGN	DESCRIPTION
A	Initial Release	2013/09/02	Vicky	Old Item No. CAP-DACPMXC2
B	LE31510353	2014/12/30	Ruru	Change Logo



Note:
 * CC Important Dimension
 * Material: Plastic Rubber
 * Color: Black
 * Mold No.: LTW-TMI41-A

UNIT: mm TOLERANCE ± 0.5 mm	TITLE 13/16"-28 UN M Conn		Amphenol LTW 安費諾亮泰企業股份有限公司		ITEM NO. CAP-DACMDPC2	DRAWN BY Ruru	DATE 2014-12-30
	SCALE 2:1	SIZE A4	SHEET 1	OF 1	DWG NO. CAP-DACMDPC2	CHECKED BY Rita	DATE 2014-12-30
	REV. B	WC-REV. A.1	CC : Inspection item		CUSTOMER ALTW	APPROVED BY Win	DATE 2014-12-30