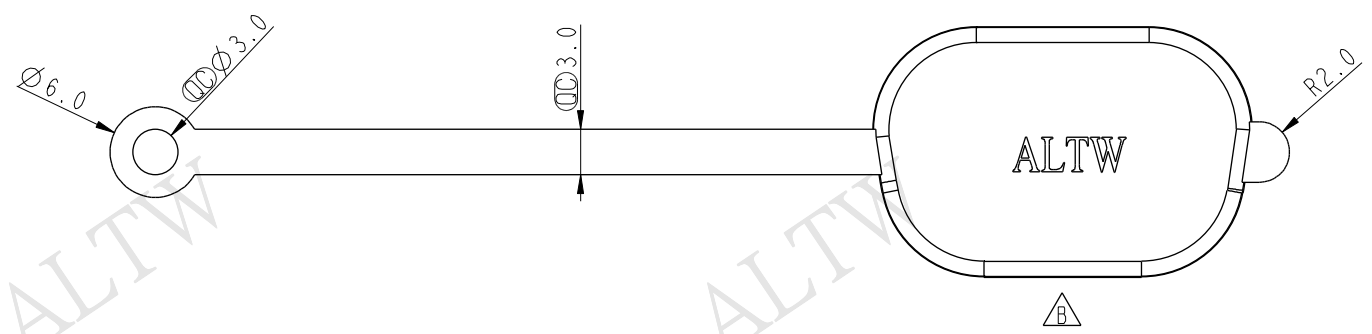
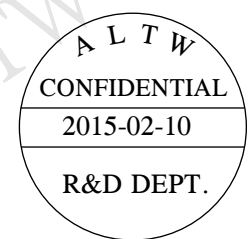
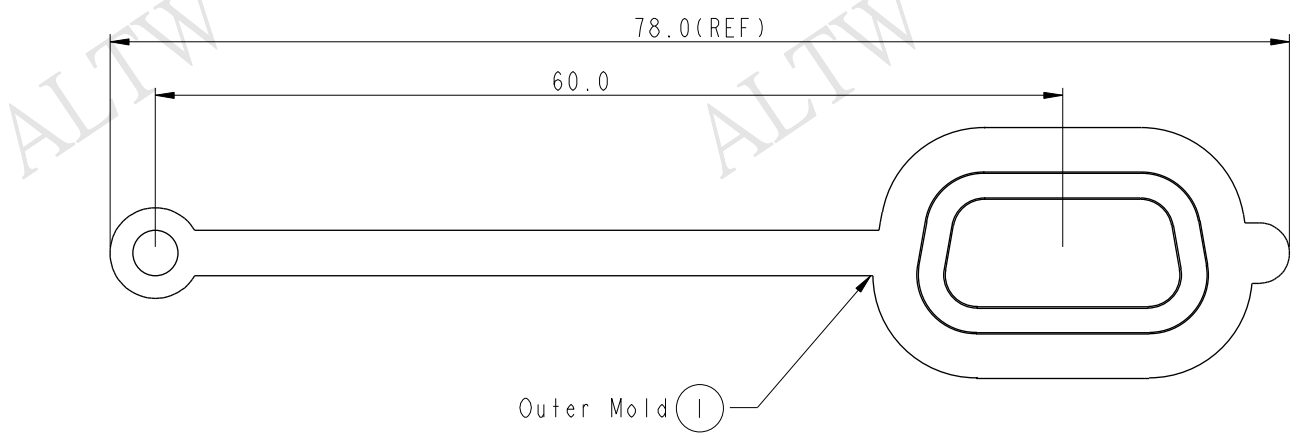


THIS DOCUMENT IS SUBJECT TO CHANGE WITHOUT NOTICE. IT IS CONFIDENTIAL AND A PROPERTY OF Amphenol LTW. DISCLOSURE TO THIRD PARTY HAS TO BE AUTHORIZED BY Amphenol LTW.

REV.	ECN NO.	DATE	SIGN	DESCRIPTION
A	Initial Release	2013/08/28	Vicky	Old Item No. CAP-DDIPFXC2
B	LEN1520259	2015/02/10	Ruru	Change Logo



Note:  
 \*  $\varnothing$  Important Dimension  
 \* Material: PVC, Black  
 \* Mold No.: LTW-TM128

A	UNIT: mm			TITLE	Dust Cover For DB09/HD15 F		Amphenol LTW		ITEM NO.	CAP-DDIFDPC2	DRAWN BY	Ruru	DATE	2015-02-10
	TOLERANCE	.X ±0.25	.XX ±0.1	.XXX ±0.05	ANGLES ±1°	SCALE	2:1	SIZE	A4	SHEET	1	OF	1	
	REV.	B	WC-REV.	A.1	$\varnothing$ : Inspection item		安費諾亮泰企業股份有限公司		DWG NO.	CAP-DDIFDPC2	CHECKED BY	Rita	DATE	2015-02-10
									CUSTOMER	ALTW	APPROVED BY	Lion	DATE	2015-02-10