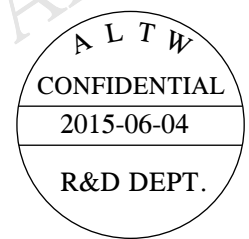
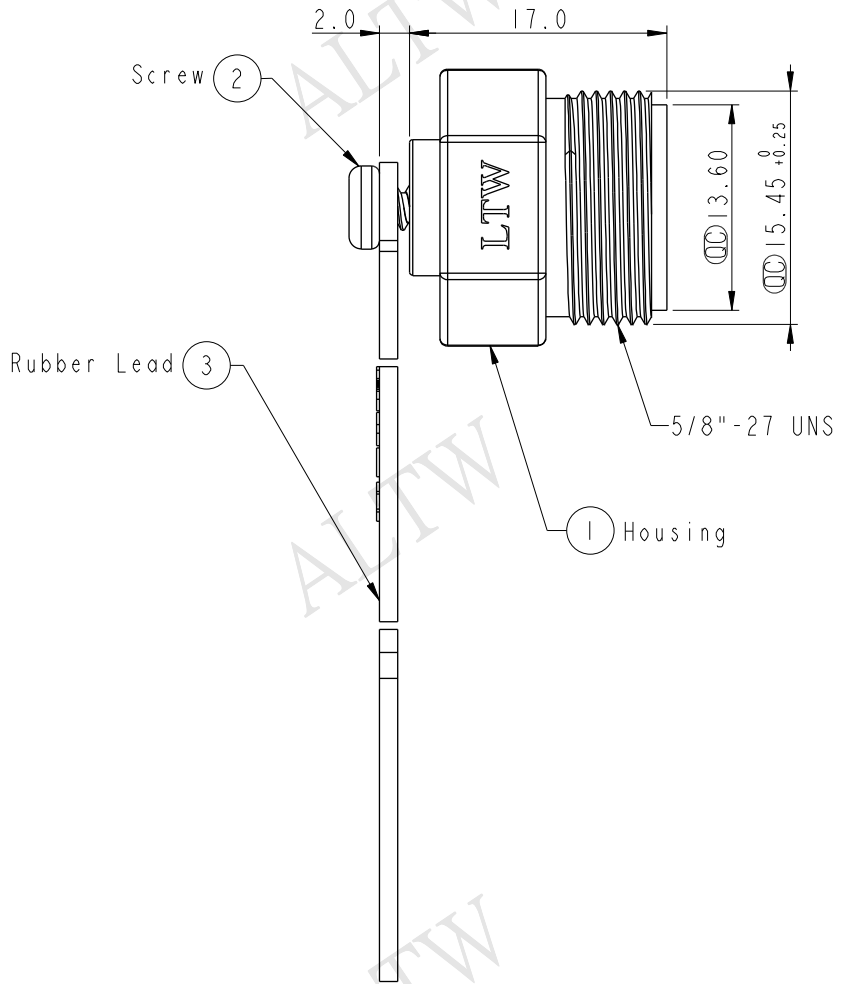
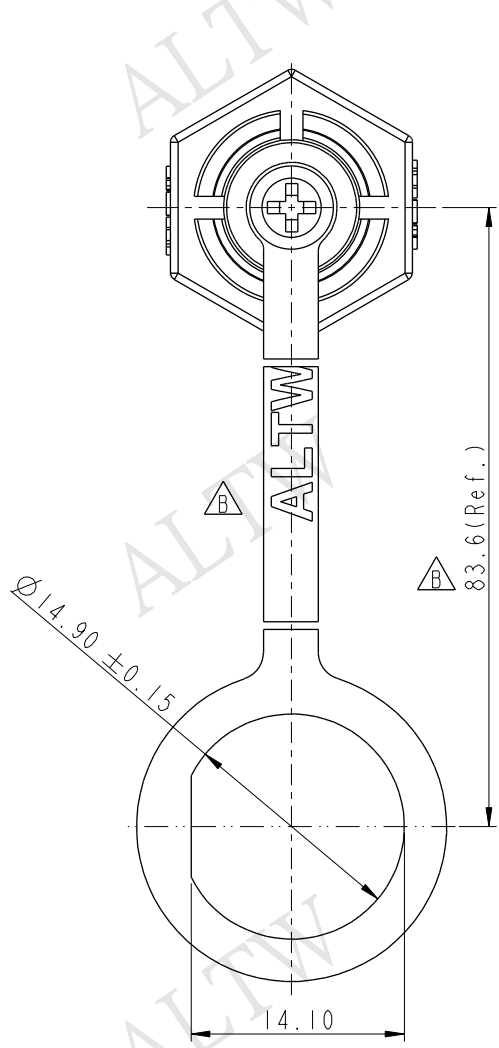


REV.	ECN NO.	DATE	SIGN	DESCRIPTION
A	Initial Release	2013/09/11	Vicky	Old Item No. CAP-WABMFSCI
B	LEN1560174	2015/06/04	Vicky	Update Logo & Add Dimension



- Note:
- * \varnothing Important Dimension
 - * Waterproof Rate: IP67
 - * Housing: Nylon+GF, Black
 - * Screw: Stainless Steel
Drill Hole \varnothing 2.50mm, Depth 4mm
 - * Rubber Lead: TPES, Black

A	UNIT: mm	TITLE Waterproof Cap, Coaxial 5/8" - 27 UNS, F Conn, Screw		Amphenol LTW 安費諾亮泰企業股份有限公司		ITEM NO CAP-WABFSPCI	DRAWN BY Vicky	DATE 2015-06-04
	TOLERANCE .X ±0.25 .XX ±0.1 .XXX ±0.05 ANGLES ±1°	SCALE 2:1	SIZE A4			SHEET 1 OF 1	DWG NO CAP-WABFSPCI	CHECKED BY Rita
		REV. B	WC-REV. A.1	\varnothing Inspection item	CUSTOMER ALTW	APPROVED BY Lion	DATE 2015-06-04	

THIS DOCUMENT IS SUBJECT TO CHANGE WITHOUT NOTICE. IT IS CONFIDENTIAL AND A PROPERTY OF Amphenol LTW. DISCLOSURE TO THIRD PARTY HAS TO BE AUTHORIZED BY Amphenol LTW.