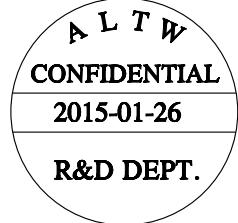
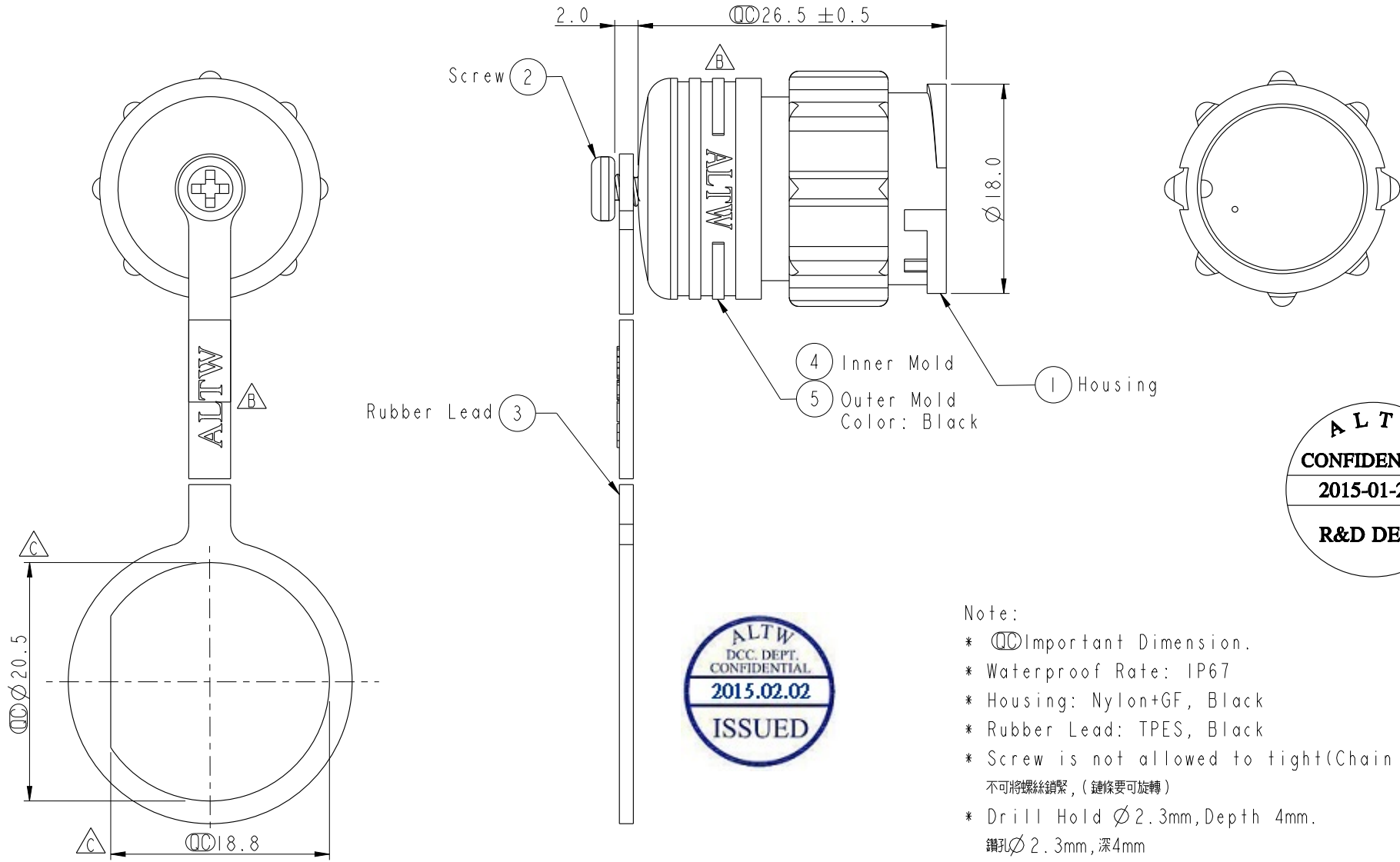


THIS DOCUMENT IS SUBJECT TO CHANGE WITHOUT NOTICE. IT IS CONFIDENTIAL AND A PROPERTY OF AMPHENOL LTW. DISCLOSURE TO THIRD PARTY HAS TO BE AUTHORIZED BY AMPHENOL LTW.

REV.	ECN NO.	DATE	SIGN	DESCRIPTION
A	Initial Release	2013/09/10	Vicky	Old Item No. CAP-WACCFLCI
B	LEN1510169	2014/12/26	Ruru	Change Logo
C	LEN1510693	2015/01/26	Mafei	Updated The Dimension.



Note:
 * ∅ Important Dimension.
 * Waterproof Rate: IP67
 * Housing: Nylon+GF, Black
 * Rubber Lead: TPES, Black
 * Screw is not allowed to tight (Chain be revolve)
 不可將螺絲鎖緊, (鏈條要可旋轉)
 * Drill Hold ∅ 2.3mm, Depth 4mm.
 鑽孔 ∅ 2.3mm, 深 4mm

UNIT: mm		
TOLERANCE	.X ±0.25	
	.XX ±0.1	
	.XXX ±0.05	
ANGLES	±1°	

TITLE Middle Size Waterproof Cap for F Conn F Pin			
SCALE 2:1	SIZE A4	SHEET 1 OF 1	
REV. C	WC-REV. A.1	∅: Inspection item	

Amphenol LTW
 安費諾亮泰企業股份有限公司

ITEM NO. CAP-WACFLPCI	DRAWN BY Mafei	DATE 2015-01-26
DWG NO. CAP-WACFLPCI	CHECKED BY Arthur	DATE 2015-01-26
CUSTOMER ALTW	APPROVED BY Jerry	DATE 2015-01-26