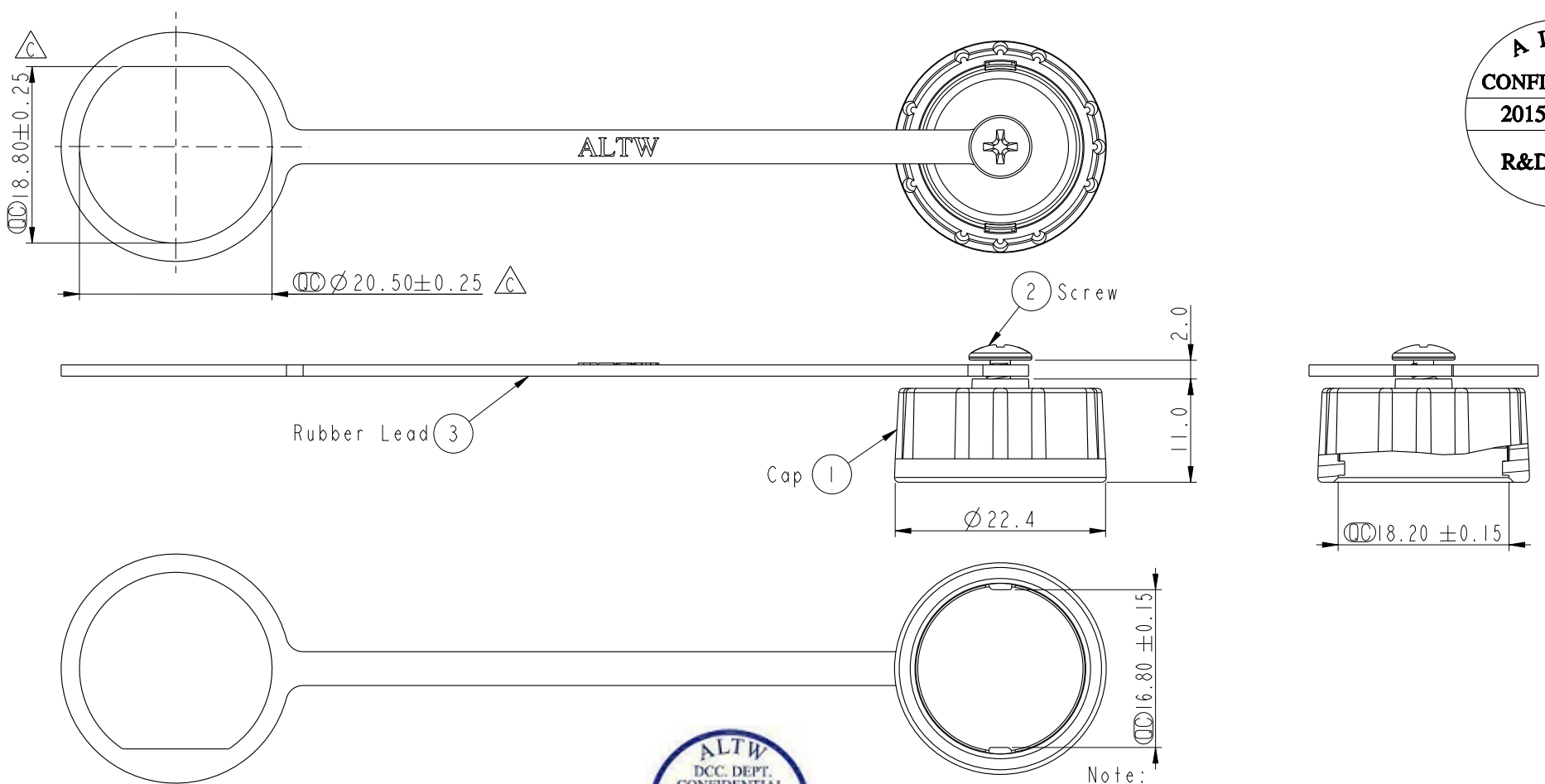


REV.	ECN NO.	DATE	SIGN	DESCRIPTION
B	LENI470199	2014-06-18	Yulong_wang	Change the Gasket Material.
C	LE31510472	2015-01-26	Mafei	Change The Chain Material From PVC to TPES.

ALTW
CONFIDENTIAL
2015-01-26
R&D DEPT.



ALTW
DCC. DEPT.
CONFIDENTIAL
2015.02.02
ISSUED

- Note:
- * \varnothing Important Dimension To Check.
 - * Waterproof Rate: IP67.
 - * Cap: Nylon+GF, Black.
 - * Gasket: Silicone, Gray.
 - * Rubber Lead: TPES, Black.
 - * Screw is not allowed to tight (Chain be revolve)
 不可將螺絲鎖緊 (Rubber Lead要可旋轉)

UNIT: mm		
TOLERANCE	.X ±0.25	
	.XX ±0.1	
	.XXX ±0.05	
ANGLES	±1°	

TITLE Waterproof Cap For Male Conn. C Size Lock Type			
SCALE 3:2	SIZE A4	SHEET 1 OF 1	
REV. C	WC-REV. A.4	\varnothing : Inspection item	

Amphenol LTW
安費諾亮泰企業股份有限公司

ITEM NO. CAP-WACMLPCI	DRAWN BY Mafei	DATE 2015-01-26
DWG NO. CAP-WACMLPCI	CHECKED BY Arthur	DATE 2015-01-26
CUSTOMER ALTW	APPROVED BY Jerry	DATE 2015-01-26

THIS DOCUMENT IS SUBJECT TO CHANGE WITHOUT NOTICE. IT IS CONFIDENTIAL AND A PROPERTY OF Amphenol LTW. DISCLOSURE TO THIRD PARTY HAS TO BE AUTHORIZED BY Amphenol LTW.