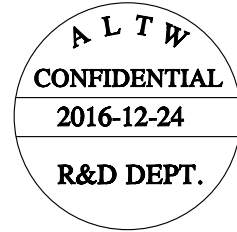
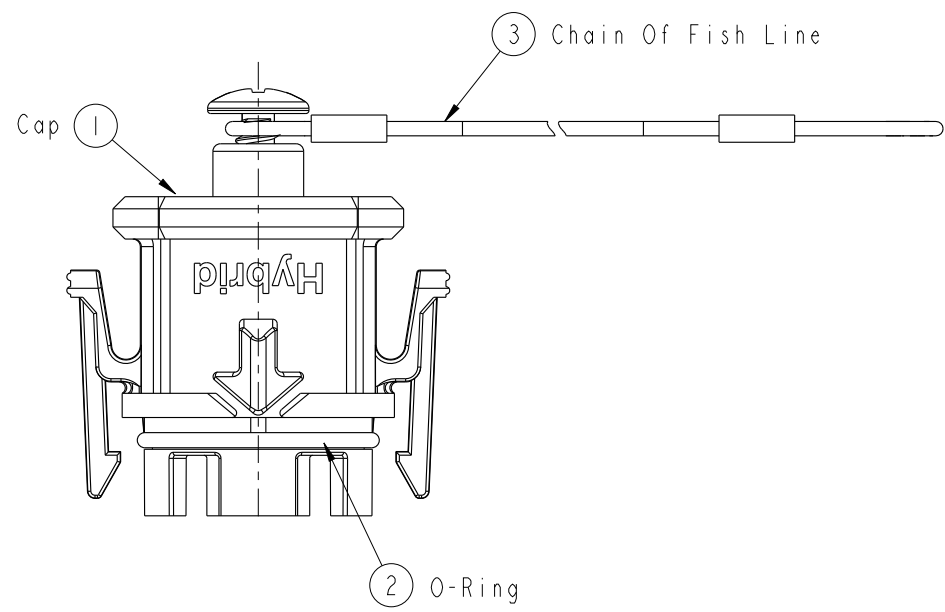
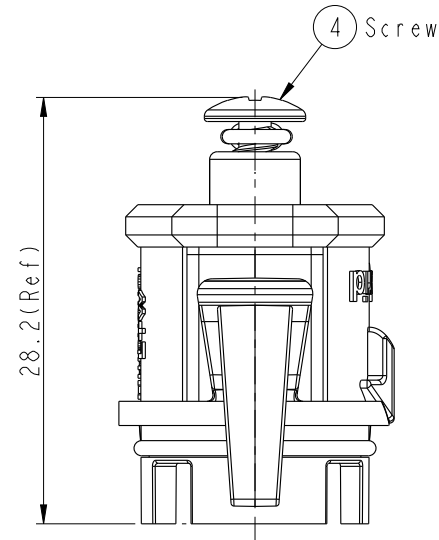
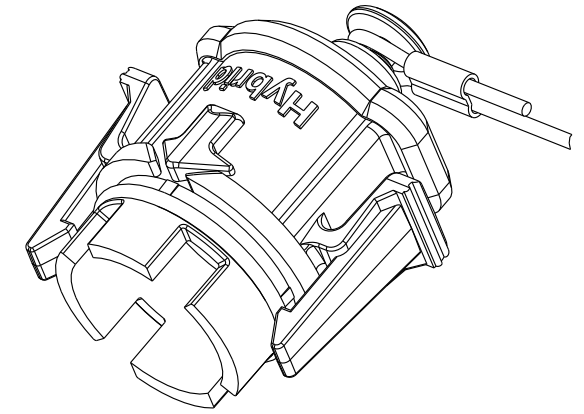
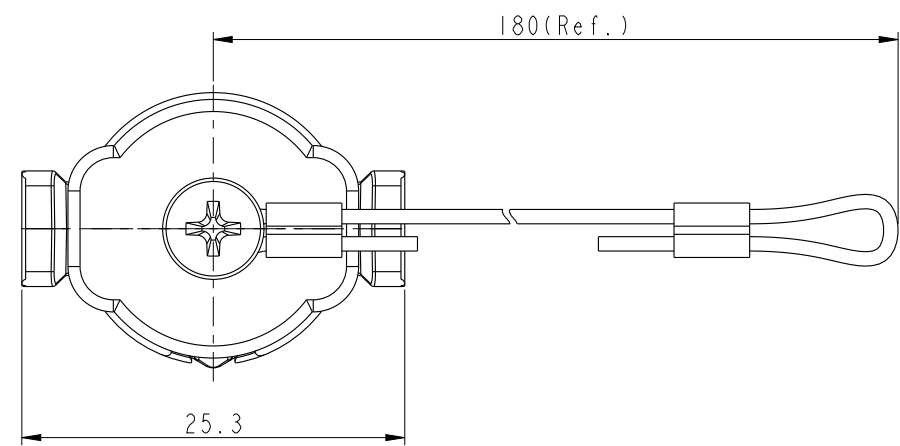


THIS DOCUMENT IS SUBJECT TO CHANGE WITHOUT NOTICE. IT IS CONFIDENTIAL AND A PROPERTY OF AMPHENOL LTW. DISCLOSURE TO THIRD PARTY HAS TO BE AUTHORIZED BY AMPHENOL LTW.

REV.	ECN NO.	DATE	SIGN	DESCRIPTION
A	Initial Release	2016-12-24	Spring Liu	Change Rev.01 To Rev.A



- Note:
- * \varnothing Important Dimension To Check.
 - * Waterproof Rate: IP68
(in 1 meter water within 24 hours)
 - * Cap: PP, Black
 - * O-ring: Silicone, Gray
 - * Screw: Stainless.
 - * Fish Line: Nylon.

UNIT: mm		
TOLERANCE	.X ±0.25	
.XX ±0.1		
.XXX ±0.05		
ANGLES	±1°	

TITLE X-Lok C-Size Waterproof Cap For Male Conn.			
SCALE	SIZE	SHEET	OF
2:1	A4	1	1
REV.	WC-REV.	\varnothing : Inspection item	
A	A.1		

Amphenol LTW
安費諾亮泰企業股份有限公司

ITEM NO	DRAWN BY	DATE
CAP-WACMQMD2	Spring Liu	2016-12-24
DWG NO	CHECKED BY	DATE
CAP-WACMQMD2	Fisher Wang	2016-12-24
CUSTOMER	APPROVED BY	DATE
ALTW	Kevin Hu	2016-12-24