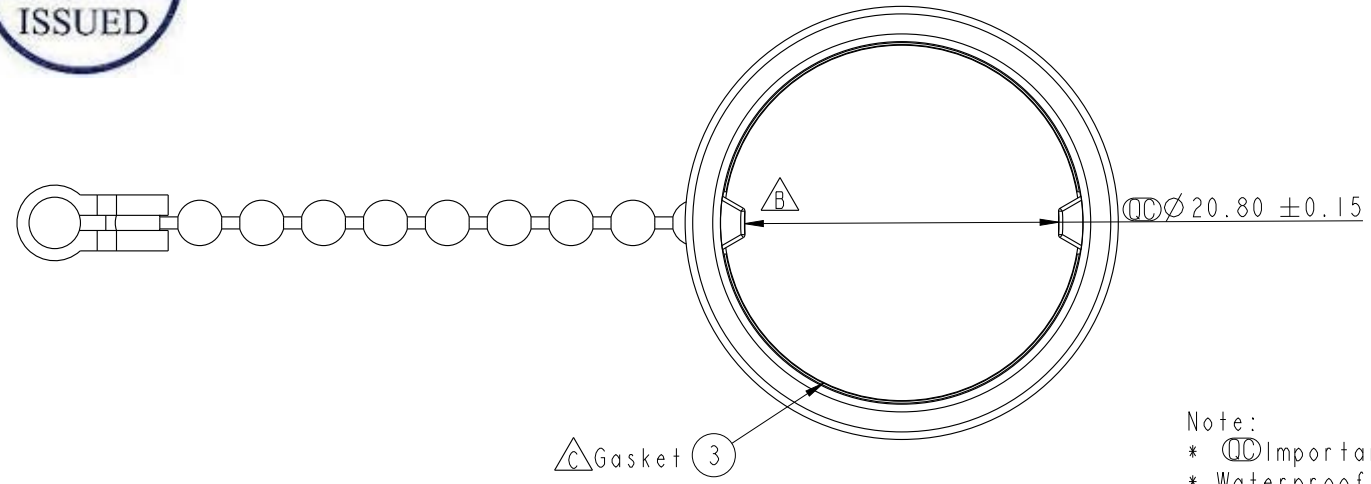
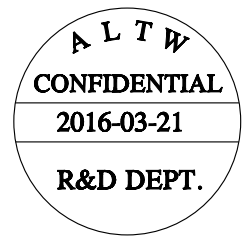
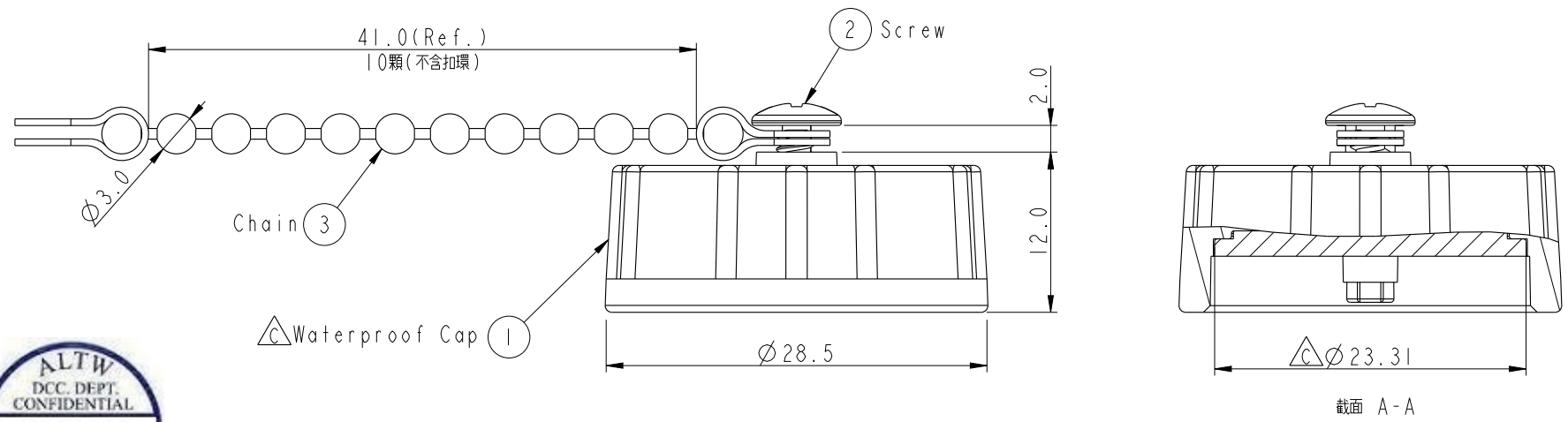


| REV. | ECN NO. | DATE | SIGN | DESCRIPTION |
|------|------------|------------|---------|---|
| B | LEN1490243 | 2014-08-30 | Feng_Li | Change Lock Point |
| C | LEN1640216 | 2016-03-21 | Joyy | Replace the gasket and Modify the cap's structure |



Note:

- * \varnothing Important Dimension To Check.
- * Waterproof Rate: IP67.
- * Cap: Nylon+GF, Black.
- * Gasket: Silicone, Black.
- * Screw is not allowed to tight (Chain be revolve)

不可將螺絲鎖緊 (鏈條要可旋轉)

| | | |
|-----------|----------|--|
| UNIT: mm | | |
| TOLERANCE | .X ±0.25 | |
| .XX | ±0.1 | |
| .XXX | ±0.05 | |
| ANGLES | ±1° | |

| | | | |
|--|---------|---------------------------------|----|
| TITLE Waterproof Cap For Male Conn. \triangle D Size Lock Type (Use in Circular) | | | |
| SCALE | SIZE | SHEET | OF |
| 2:1 | A4 | 1 | 1 |
| REV. | WC-REV. | \varnothing : Inspection item | |
| C | A.5 | | |

Amphenol LTW
安費諾亮泰企業股份有限公司

| | | |
|--------------|-------------|------------|
| ITEM NO. | DRAWN BY | DATE |
| CAP-WADMLPBI | Joyy | 2016-03-21 |
| DWG NO. | CHECKED BY | DATE |
| CAP-WADMLPBI | Lu Di | 2016-03-21 |
| CUSTOMER | APPROVED BY | DATE |
| ALTW | Jerry | 2016-03-21 |

THIS DOCUMENT IS SUBJECT TO CHANGE WITHOUT NOTICE. IT IS CONFIDENTIAL AND A PROPERTY OF AMPHENOL LTW. DISCLOSURE TO THIRD PARTY HAS TO BE AUTHORIZED BY AMPHENOL LTW.