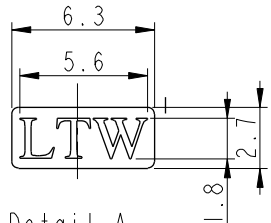
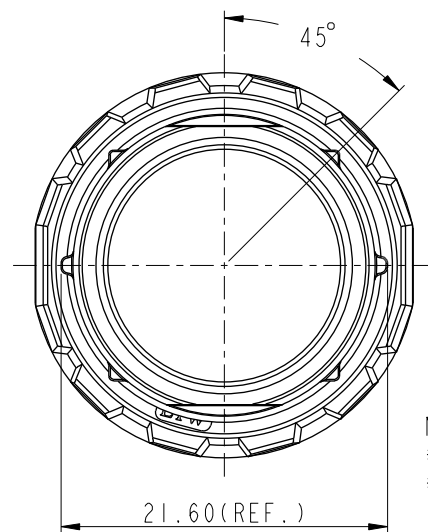
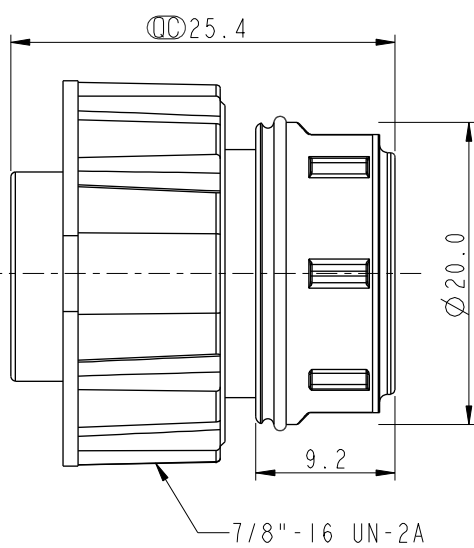
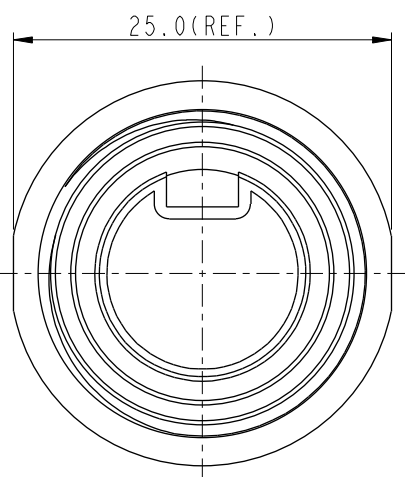
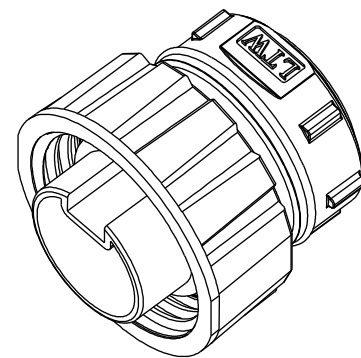
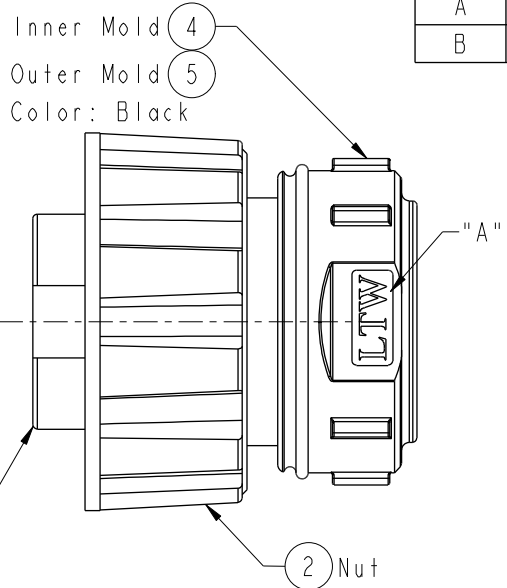


REV.	ECN NO.	DATE	SIGN	DESCRIPTION
A	Initial Release	2013/04/08	Vicky	Old Item No. CAP-WMNFSA1
B	LE31360082	2013/06/17	Vicky	Update Item No. CAP-WMNFSA1 to CAP-WMNSMA1



Detail A
Scale 3:1



- Note:
- * \varnothing Important Dimension.
 - * Waterproof Rate: IP68.
 - IP68: 1M Depth Of Water In 24hours.
 - * Connector: Nylon+GF, Black.
 - * Nut: Zinc, Nickel Plated.
 - * Text Depth: 0.3mm

UNIT: mm		
TOLERANCE		
.X	±0.25	
.XX	±0.1	
.XXX	±0.05	
ANGLES	±1°	

TITLE Mini Conn NMEA Waterproof Cap For Male Conn.			
SCALE 2:1	SIZE A4	SHEET 1 OF 1	
REV. B	WC-REV. B.1	\varnothing : Inspection item	

Amphenol LTW
安費諾亮泰企業股份有限公司

ITEM NO. CAP-WMNSMA1	DRAWN BY Vicky	DATE 2013-06-17
DWG NO. CAP-WMNSMA1	CHECKED BY Rita	DATE 2013-06-17
CUSTOMER ALTW	APPROVED BY Maslow	DATE 2013-06-17

THIS DOCUMENT IS SUBJECT TO CHANGE WITHOUT NOTICE. IT IS CONFIDENTIAL AND A PROPERTY OF Amphenol LTW. DISCLOSURE TO THIRD PARTY HAS TO BE AUTHORIZED BY Amphenol LTW.