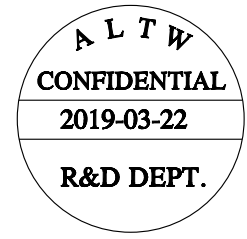
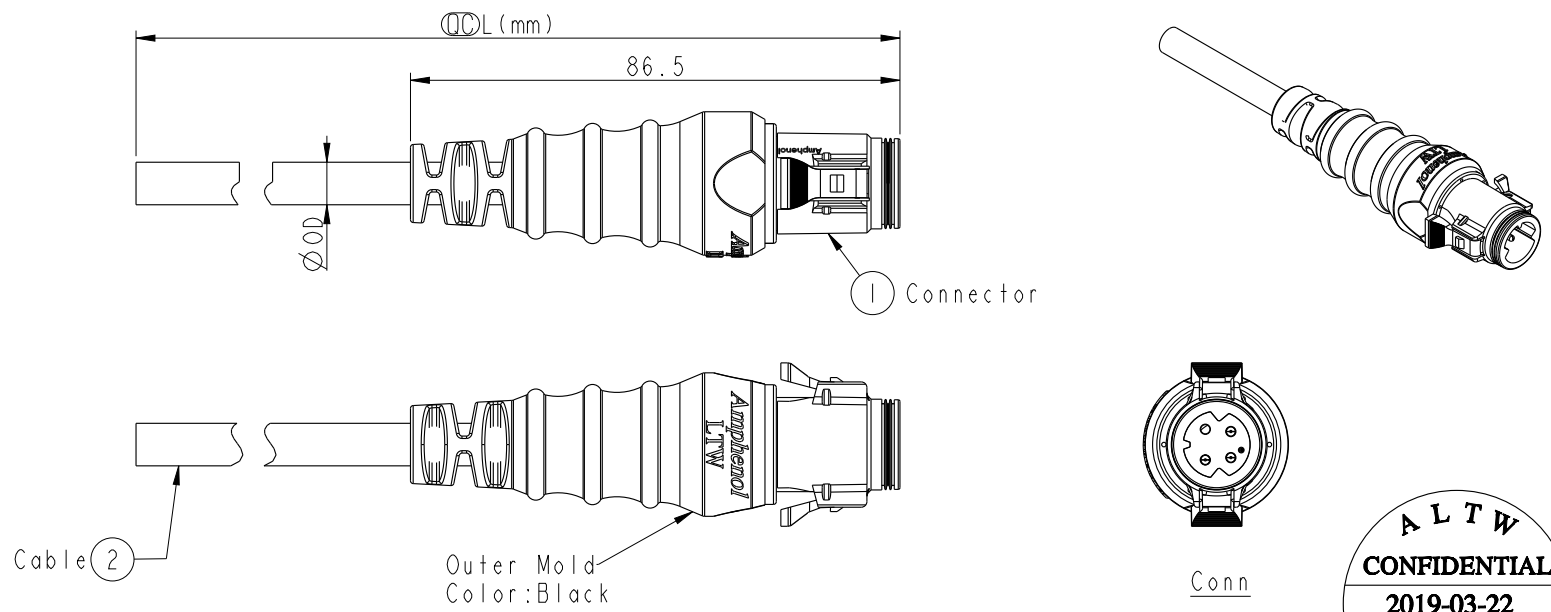


THIS DOCUMENT IS SUBJECT TO CHANGE WITHOUT NOTICE. IT IS CONFIDENTIAL AND A PROPERTY OF Amphenol LTW. DISCLOSURE TO THIRD PARTY HAS TO BE AUTHORIZED BY Amphenol LTW.

REV.	ECN NO.	DATE	SIGN	DESCRIPTION



- Note:
- * (L) Important Dimension To Check.
 - * Waterproof Rate: IP68
 - * Housing: M-PPE , Black.
 - * Male Pin: Copper Alloy, Gold Plated.
 - * Gasket: Silicone, Gray.
 - * Cable: SJTW 16#, PVC Jacket, UV Resistant, Black.
 - * Cable Length Tolerance: 01M: ±40mm
02M~05M: ±60mm
06M~10M: ±100mm
11M~30M: ±200mm
31M~99M: ±500mm
- * Prohibiting the use of place in oils

CB-02AMMM-RL8EXX	Ø 8.2
CB-03AMMM-RL8EXX	Ø 8.6
CB-04AMMM-RL8EXX	Ø 9.3
Part No.	Cable OD

UNIT:mm		
TOLERANCE	±0.5	

TITLE MIDDLE CABLE RBL M CONN M PIN			
SCALE 3:4	SIZE A4	SHEET 1 OF 2	
REV. A	WC-REV. A.1	QC: Inspection item	

Amphenol LTW
安費諾亮泰企業股份有限公司

ITEM NO	DRAWN BY Peng	DATE 2019-03-22
DWG NO CB-XXAMMM-RL8EXX	CHECKED BY Mafei	DATE 2019-03-22
CUSTOMER ALTW	APPROVED BY Jerry	DATE 2019-03-22

THIS DOCUMENT IS SUBJECT TO CHANGE WITHOUT NOTICE. IT IS CONFIDENTIAL AND A PROPERTY OF AMPHENOL LTW. DISCLOSURE TO THIRD PARTY HAS TO BE AUTHORIZED BY AMPHENOL LTW.

1 2 3 4 5 6 7 8

F

E

D

C

B

A

CB-XXAMMM-RL8E XX

Middle Size Current Rating 10A

XX:No. Of Pin(Pin 數)

A:Cable With S/R(線端帶網尾)

M:Male Connector(公座)

M:Male Pin(公Pin)

M:Molding Type(射出成型)

XX:01~99Meter

01:01Meter

02:02Meter

⋮

⋮

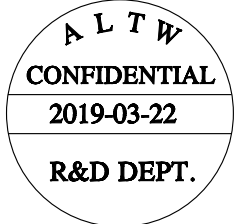
99:99Meter

E:SJTW Cable

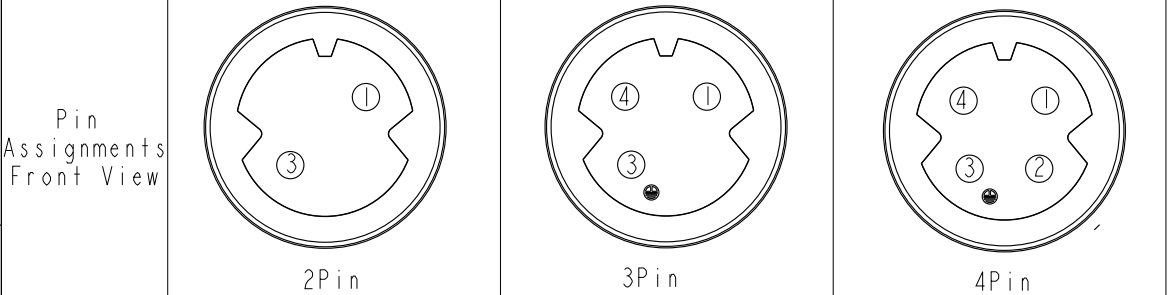
8:IP68(防水等級 68)

L:Straight(180°)

R:Snap In With Latch(彈臂卡合式)



Pin Out	4	--	4	Green 綠	4	Green 綠
	3	White 白	3	White 白	3	White 白
	2	--	2	--	2	Red 紅
	1	Black 黑	1	Black 黑	1	Black 黑



UNIT:mm TOLERANCE ±0.5

TITLE MIDDLE CABLE RBL M CONN M PIN
 SCALE 3:4 SIZE A4 SHEET 2 OF 2
 REV. A WC-REV. A.1 Inspection item

Amphenol LTW
 安費諾亮泰企業股份有限公司

ITEM NO	DRAWN BY Peng	DATE 2019-03-22
DWG NO CB-XXAMMM-RL8EXX	CHECKED BY Mafei	DATE 2019-03-22
CUSTOMER ALTW	APPROVED BY Jerry	DATE 2019-03-22

1 2 3 4 5 6 7 8 W10814-03-01A2